



Technical Guide: YORK R-410A Outdoor Split-System Heat Pump - YH2F



York International Corporation, 5005 York Drive, Norman, OK 73069

6329571-YTG-A-0123

Supersedes: Nothing

2023-01-03

Contents

Description.....	7
Certification.....	7
Features.....	7
Physical and electrical data.....	8
Physical and electrical data notes.....	8
Dimensions.....	9
System charge.....	9
System charge table notes.....	10
Charging.....	11
Air handler capacity - single-stage.....	11
Air handler capacity - two-stage.....	12
Air handler capacity data notes.....	18
Coil only capacity.....	18
Furnace capacity - 1.5 ton.....	18
Furnace capacity - 2 ton.....	21
Furnace capacity - 2.5 ton.....	30
Furnace capacity - 3 ton.....	41
Furnace capacity - 3.5 ton.....	53
Furnace capacity - 4 ton.....	61
Furnace capacity - 5 ton.....	77
Furnace capacity data notes.....	81
Applications and accessories.....	82
Sound power ratings - cooling.....	82
Sound power ratings - heating.....	83
Mechanical specifications.....	84
Typical installation.....	86
Typical field wiring.....	87
Alternative installation clearances.....	91
Performance data - 1.5 ton.....	92
Condenser only performance data - 1.5 ton.....	92
Condenser only data table notes.....	92
Cooling performance data - 1.5 ton.....	92
Cooling multipliers for determining the performance with other indoor sections.....	93
Cool multiplier airhandler - 1.5 ton.....	93
Cool multiplier furnace - 1.5 ton.....	93
Heating performance data - 1.5 ton.....	96
Heating multipliers for determining the performance with other indoor sections.....	96
Heat multiplier airhandler - 1.5 ton.....	96
Heat multiplier furnace - 1.5 ton.....	97

Performance data 2 ton.....	99
Condenser only performance data - 2 ton.....	99
Condenser only data table notes.....	99
Cooling performance data - 2 ton.....	99
Cooling multipliers for determining the performance with other indoor sections.....	100
Cool multiplier airhandler - 2 ton.....	100
Cool multiplier furnace - 2 ton.....	101
Heating performance data - 2 ton.....	107
Heating multipliers for determining the performance with other indoor sections.....	108
Heat multiplier airhandler - 2 ton.....	108
Heat multiplier furnace - 2 ton.....	109
Performance data 2.5 ton.....	116
Condenser only performance data - 2.5 ton.....	116
Condenser only data table notes.....	116
Cooling performance data - 2.5 ton.....	116
Cooling multipliers for determining the performance with other indoor sections.....	117
Cool multiplier airhandler - 2.5 ton.....	117
Cool multiplier furnace - 2.5 ton.....	118
Heating performance data - 2.5 ton.....	126
Heating multipliers for determining the performance with other indoor sections.....	127
Heat multiplier airhandler - 2.5 ton.....	127
Heat multiplier furnace - 2.5 ton.....	128
Performance data 3 ton.....	136
Condenser only performance data - 3 ton.....	136
Condenser only data table notes.....	136
Cooling performance data - 3 ton.....	137
Cooling multipliers for determining the performance with other indoor sections.....	137
Cool multiplier airhandler - 3 ton.....	137
Cool multiplier furnace - 3 ton.....	138
Heating performance data - 3 ton.....	148
Heating multipliers for determining the performance with other indoor sections.....	148
Heat Multiplier airhandler - 3 ton.....	148
Heat multiplier furnace - 3 ton.....	149
Performance data 3.5 ton.....	158
Condenser only performance data - 3.5 ton.....	158
Condenser only data table notes.....	158
Cooling performance data - 3.5 ton.....	159
Cooling multipliers for determining the performance with other indoor sections.....	159
Cool multiplier airhandler - 3.5 ton.....	159
Cool multiplier furnace - 3.5 ton.....	160
Heating performance data - 3.5 ton.....	166
Heating multipliers for determining the performance with other indoor sections.....	166

Heat multiplier airhandler - 3.5 ton.....	166
Heat multiplier furnace - 3.5 ton.....	167
Performance data 4 ton.....	172
Condenser only performance data - 4 ton.....	172
Condenser only data table notes.....	172
Cooling performance data - 4 ton.....	172
Cooling multipliers for determining the performance with other indoor sections.....	173
Cool multiplier airhandler - 4 ton.....	173
Cool multiplier furnace - 4 ton.....	174
Heating performance data - 4 ton.....	186
Heating multipliers for determining the performance with other indoor sections.....	186
Heat multiplier airhandler - 4 ton.....	186
Heat multiplier furnace - 4 ton.....	187
Performance data 5 ton.....	199
Condenser only performance data - 5 ton.....	199
Condenser only data table notes.....	199
Cooling performance data - 5 ton.....	199
Cooling multipliers for determining the performance with other indoor sections.....	200
Cool multiplier airhandler - 5 ton.....	200
Cool multiplier furnace - 5 ton.....	200
Heating performance data - 5 ton.....	204
Heating multipliers for determining the performance with other indoor sections.....	204
Heat multiplier airhandler - 5 ton.....	204
Heat multiplier furnace - 5 ton.....	205

Description

The YH2F models are part of our successful LX Series split system heat pump lineup. These outdoor units are optimized for 15.2 SEER2/7.8 HSPF2 Minimum Efficiency in all US Regions, and are specifically designed to be matched with YORK® indoor coils, furnaces, and air handlers to provide a complete system solution.

Certification

The units are tested in accordance with the following:



Features

- **Easier installation** - Independent panels provide quick access for unit setup. Installation time is reduced by easy power and control wiring access. All models use TXVs. The filter-drier is shipped loose for installation in the field. The unit is factory-charged for 15 ft refrigeration piping. The small base dimension and reduced unit clearances make for easier retrofits.
- **Accessible information** - QR code on unit provides quick access to technical documents and warranty information.
- **Durable finish** - The coated steel wire fan guard, coated external fasteners, and pre-treated G90-equivalent galvanized steel chassis components resist corrosion and rust creep. Powdercoat paint further protects external panels.
- **Rugged coil protection** - Coils are protected from mechanical damage by a an extruded louver coil guard.
- **Quality coils** - Enhanced aluminum fins are mechanically bonded to copper tubing.
- **Protected compressor** - Compressors are protected internally by a high pressure relief valve and a temperature sensor, and externally by the system high and low pressure switches.
- **Reliable operation** - Ball bearing fan motors provide superior performance in extreme temperatures.
- **Environmentally friendly** - CFC-free R-410A refrigerant delivers environmentally friendly performance with zero ozone depletion.
- **Top discharge** - Warm air is blown up, away from the structure and any landscaping and allows compact location on multi-unit applications.
- **Low operating sound levels** - Developed using CFD and FEA tools, the sturdy cabinet and top design provides sound performance as low as 66 dBA. Compatible accessories for further sound reduction are also available.
- **Better service access** - Diagonal base valves with open access for low-loss fittings, single panel access to the electrical controls, full corner access, and removable fan guard allow easy access for unit maintenance.

- **Agency listed** - Safety certified by CSA to the 4th Edition of UL 1995/CSA 22.2. Performance certified to ANSI/AHRI Standard 210/240 in accordance with the Unitary Small Equipment certification program.

Physical and electrical data

Table 1: Physical and electrical data

Outdoor unit model	YH2F18SB21S	YH2F24TB21S	YH2F30TB21S	YH2F36TB21S	YH2F42TB21S	YH2F48TB21S	YH2F60TB21S
Unit supply voltage	208/230 V, 1 phase, 60 Hz						
Normal voltage range	187 to 252						
Minimum circuit ampacity	9.1	14.2	19.0	20.6	26.2	28.2	31.5
Maximum overcurrent device (A)	15	25	30	35	45	45	50
Minimum overcurrent device (A)	15	15	15	20	25	25	30
Compressor type	One Stage Scroll	Two Stage Scroll	Two Stage Scroll	Two Stage Scroll	Two Stage Scroll	Two Stage Scroll	Two Stage Scroll
Compressor rated load	6.8	10.9	13.4	14.7	19.2	20.8	23.4
Compressor locked rotor	41.7	61.0	87.0	102.1	123.5	142.5	118.0
Crankcase heater	Yes	Yes	Yes	Yes	Yes	Yes	Yes
Factory external discharge muffler	Yes	Yes	Yes	Yes	Yes	Yes	Yes
HS kit required with TXV	No	No	No	No	No	No	No
HS Kit Part Number (S1-2SA067*****)	n/a	n/a	n/a	n/a	n/a	n/a	n/a
Fan diameter (in.)	18	18	22	24	24	26	26
Fan motor type	PSC	PSC	ECM	ECM	ECM	ECM	ECM
Fan motor rated HP	1/12	1/12	1/3	1/3	1/3	1/3	1/3
Fan motor rated load (A)	0.64	0.64	2.20	2.20	2.20	2.20	2.20
Fan motor nominal RPM	1000	1000	680	840	880	680	880
Fan motor nominal CFM	2100	2100	2900	3800	4000	3800	4600
Coil face area (sq ft)	13.1	14.5	17.9	23.1	23.1	26.4	26.4
Coil rows deep	1	1	1	1	1	1	2
Coil fins per inch	22	22	22	22	22	22	18
Liquid line set outdoor unit (field-installed)	3/8	3/8	3/8	3/8	3/8	3/8	3/8
Vapor line set outdoor unit (field-installed)	3/4	3/4	3/4	3/4	7/8	7/8	1 1/8 [†]
Unit charge (lb-oz)	4-8	4-13	6-3	6-15	7-14	7-6	15-0
Charge (oz/ft)	0.62	0.62	0.62	0.62	0.67	0.67	0.75
Operating weight (lb)	141	147	177	204	232	243	282

Physical and electrical data notes

1. Rated in accordance with AHRI Standard 110-2012, utilization range A.
2. Dual element fuses or HACR circuit breaker. Maximum allowable overcurrent protection.

3. Dual element fuses or HACR circuit breaker. Minimum recommended overcurrent protection.
4. Refer to the *Hard Start Kit Accessory Installation Manual* for the hard start kit part number for each model. The hard start kit is a field-installed accessory.
5. For applications with non-standard vapor line sizes, see the *Applications and accessories* section.
6. The unit charge is correct for the outdoor unit, smallest matched indoor unit, and 15 ft of refrigerant tubing. For tubing lengths other than 15 ft, add or subtract the amount of refrigerant, using the difference in actual refrigerant piping length (not the equivalent length) multiplied by the per foot value.

‡ The adaptor fitting must be field-installed for the required 1 1/8 in. refrigerant piping.

Dimensions

Table 2: Dimensions

Unit model	Dimensions (in.)			Refrigerant connection service valve size (in.)	
	A	B	C	Liquid	Vapor
YH2F18SB21S	33 1/4	24	24	3/8	3/4
YH2F24TB21S	36 1/4	24	24		
YH2F30TB21S	36 1/4	29 1/4	29 1/4		
YH2F36TB21S	39 1/2	35 1/4	31 3/4		
YH2F42TB21S	39 1/2	35 1/4	31 3/4	7/8	
YH2F48TB21S	39 1/2	38	34 1/4		
YH2F60TB21S	39 1/2	38	34 1/4		

System charge

Table 3: System charge - upflow or horizontal left

Outdoor unit model	YH2F18SB21S	YH2F24TB21S	YH2F30TB21S	YH2F36TB21S	YH2F42TB21S	YH2F48TB21S	YH2F60TB21S
Required TXV	BA1	BA1	BA1	BC1	BC1	BC1	BC1
Indoor coil model	Additional charge (oz)						
JHET*24C	2	0	—	—	—	—	—
JHET*30D	—	13	0	0	—	—	—
JHET*36D	—	13	0	0	—	—	—
JHET*42F	—	—	17	15	3	—	—
JHET*48G	—	—	—	—	11	30	—
JHET*60H	—	—	—	—	—	24	0
JHET*60J	—	—	—	—	—	—	10
JHVT*24C	2	0	—	—	—	—	—
JHVT*36D	—	13	0	0	—	—	—
JHVT*42F	—	—	17	15	3	—	—
JHVT*48G	—	—	—	—	11	30	—
JHVT*60H	—	—	—	—	—	24	0
JHVT*60J	—	—	—	—	—	—	10
XAF*30C	2	0	—	—	—	—	—
XAF*36D	—	13	0	0	—	—	—
XAF*48F	—	—	17	15	3	—	—

Table 3: System charge - upflow or horizontal left

Outdoor unit model	YH2F18SB21S	YH2F24TB21S	YH2F30TB21S	YH2F36TB21S	YH2F42TB21S	YH2F48TB21S	YH2F60TB21S
Required TXV	BA1	BA1	BA1	BC1	BC1	BC1	BC1
Indoor coil model	Additional charge (oz)						
XAF*60G	—	—	—	—	11	30	—
XAF*60H	—	—	—	—	—	24	0
XAF*60J	—	—	—	—	—	—	10
XAH*30C	12	6	—	—	—	—	—
XAH*36D	—	13	6	2	—	—	—
XAH*48F	—	—	20	15	0	—	—
XAH*60G	—	—	—	—	21	0	—
XAH*60H	—	—	—	—	—	29	23
XAH*60J	—	—	—	—	—	—	20

Table 4: System charge - downflow or horizontal right

Outdoor unit model	YH2F18SB21S	YH2F24TB21S	YH2F30TB21S	YH2F36TB21S	YH2F42TB21S	YH2F48TB21S	YH2F60TB21S
Required TXV	BA1	BA1	BA1	BC1	BC1	BC1	BC1
Indoor coil model	Additional charge (oz)						
JHET*24C	-5	-1	—	—	—	—	—
JHET*30D	—	16	-18	-24	—	—	—
JHET*36D	—	16	-18	-24	—	—	—
JHET*42F	—	—	7	0	2	—	—
JHET*48G	—	—	—	—	3	11	—
JHET*60H	—	—	—	—	—	43	-10
JHET*60J	—	—	—	—	—	—	-13
JHVT*24C	-5	-1	—	—	—	—	—
JHVT*36D	—	16	-18	-24	—	—	—
JHVT*42F	—	—	7	0	2	—	—
JHVT*48G	—	—	—	—	3	11	—
JHVT*60H	—	—	—	—	—	43	-10
JHVT*60J	—	—	—	—	—	—	-13
XAF*30C	-5	-1	—	—	—	—	—
XAF*36D	—	16	-18	-24	—	—	—
XAF*48F	—	—	7	0	2	—	—
XAF*60G	—	—	—	—	3	11	—
XAF*60H	—	—	—	—	—	43	-10
XAF*60J	—	—	—	—	—	—	-13
XAH*30C	-5	-1	—	—	—	—	—
XAH*36D	—	16	-18	-24	—	—	—
XAH*48F	—	—	7	0	2	—	—
XAH*60G	—	—	—	—	3	11	—
XAH*60H	—	—	—	—	—	43	-10
XAH*60J	—	—	—	—	—	—	-13

System charge table notes

1. A minus number indicates that you remove that charge.
2. For applications that require a TXV, use S1-1TVM*** series kit.
3. Use a TXV kit with these indoor units to obtain system performance.

4. Systems matched with furnaces or air handlers not equipped with blower-off delays may require blower time delay.
5. Do not use XAF or XAU coils in horizontal applications.
6. Charge adders shown above do not indicate that coils are rated for every application. See the performance data tables for actual performance for specified system matches. Obtain certified system ratings from <http://www.ahridirectory.org>.

Charging

1. Check the factory unit charge listed on the unit nameplate to verify the refrigerant charge for the outdoor unit, the smallest matched indoor unit, and the 15 ft of interconnecting refrigeration piping.
2. Verify the indoor metering device and additional charge required for the specific matched indoor unit in the system using Table 3.
3. Add additional charge for the amount of interconnecting refrigeration piping greater than 15 ft at the rate specified in Table 1.
4. For installations requiring additional charge, weigh in refrigerant for the specific matching indoor unit and actual refrigeration piping length.
5. After weighing in the charge adders for the matched indoor unit and refrigeration piping, verify the system operation against the temperatures and pressures in the charging chart for the outdoor unit. Locate the charging charts on the outdoor unit and in the *Service Data Application Guide* on www.simplygettingthejobdone.com. Follow the subcool or superheat charging procedure in the *Installation Manual* according to the type of indoor metering device in the system, and allow 10 min after each charge adjustment for the system operation to stabilize. Record the charge adjustment made to match the charging chart.
6. Permanently stamp the unit nameplate with the total system charge defined as follows: total system charge = base charge (as shipped) + charge adder for matched indoor unit + charge adder for actual refrigeration piping length + charge adjustments to match the charging chart.

Air handler capacity - single-stage

Table 5: Air handler capacity - single-stage

Outdoor unit model	Air handler model	Air handler width (in.)	Indoor coil model	Rated CFM	Net cool (MBH)	Sens cool (MBH)	SEER2	EER2	Net47 (MBH)	Net17 (MBH)	HSPF2 IV	HSPF2 V	Cop47	Cop17
YH2F18SB21S	JHETB24CBAS2N1	17.5	—	750	17.60	14.30	15.20	12.50	16.00	11.80	7.80	6.15	3.76	2.84
YH2F18SB21S	JMET08BS2N1A	17.5	XAF/XAF/XAUB30C	725	17.70	13.70	16.00	13.00	15.90	10.20	7.80	6.00	4.00	2.58
YH2F18SB21S	JMET08BS2N1A	17.5	XAH/XAHB30C	700	17.60	14.60	16.00	12.50	15.40	9.60	7.50	5.85	3.82	2.44
YH2F18SB21S	JMET12BS2N1A	17.5	XAF/XAF/XAUB30C	675	17.50	13.30	16.00	13.00	15.90	10.10	7.80	6.00	3.94	2.56
YH2F18SB21S	JMET12CS2N1A	21.0	XAF/XAFC30C	625	17.30	12.80	16.00	12.50	15.70	10.00	7.50	5.80	3.86	2.54
YH2F18SB21S	JMET12CS4N1A	21.0	XAFC30C	675	17.50	13.30	16.00	12.50	15.90	10.10	7.80	6.00	3.92	2.56
YH2F18SB21S	JMET16CS2N1A	21.0	XAF/XAFC30C	625	17.30	12.80	16.00	12.50	15.70	10.00	7.50	5.80	3.86	2.54
YH2F18SB21S	JMET16CS4N1A	21.0	XAFC30C	525	16.90	11.80	15.20	12.50	15.40	9.90	7.50	5.85	3.68	2.48
YH2F18SB21S	JMVT12BC2N1A	17.5	XAF/XAF/XAUB30C	725	17.70	13.70	16.00	12.50	16.00	10.10	7.80	6.00	4.02	2.60
YH2F18SB21S	JMVT12BC2N1A	17.5	XAH/XAHB30C	725	17.60	14.80	16.00	12.50	15.50	9.70	7.50	5.85	3.86	2.48
YH2F18SB21S	JMVT16CC2N1A	21.0	XAF/XAFC30C	675	17.50	13.30	16.00	12.50	15.90	10.10	7.80	6.00	3.94	2.56
YH2F18SB21S	JMVT16CC2N1A	21.0	XAH/XAHC30C	700	17.60	14.60	16.00	12.50	15.40	9.60	7.50	5.85	3.82	2.46
YH2F18SB21S	JMVT17CC2N1A	21.0	XAF/XAFC30C	725	17.70	13.70	16.00	13.00	16.00	10.10	7.80	6.00	4.02	2.60
YH2F18SB21S	JMVT17CC2N1A	21.0	XAH/XAHC30C	725	17.60	14.80	16.00	12.50	15.50	9.70	7.50	5.85	3.88	2.48

Air handler capacity - two-stage

Table 6: Air handler capacity - two-stage

Outdoor unit model	Air handler model	Air handler width (in.)	Indoor coil model	Stage	Rated CFM	Net cool (MBH)	Sens cool (MBH)	SEER2	EER2	Net47 (MBH)	Net17 (MBH)	HSPF2 IV	HSPF 2 V	Cop4 7	Cop1 7
YH2F24TB21S	JHETB24CBAS2N1	17.5	—	2	750	23.60	17.20	15.20	11.70	21.60	14.10	7.80	6.10	3.78	2.66
				1	500	20.00	13.50		22.30	15.60					3.50
YH2F24TB21S	JHETB30DBAS2N1	17.5	—	2	950	24.00	18.20	15.20	11.70	22.40	13.30	7.80	6.10	4.16	2.62
				1	525	19.50	12.90		21.45	15.50					3.70
YH2F24TB21S	JHETB36DBAS2N1	17.5	—	2	775	23.60	16.80	15.20	12.00	21.60	13.30	7.80	6.05	4.02	2.66
				1	550	19.70	13.20		21.35	15.60					3.72
YH2F24TB21S	JHETC36DBAS2N1	21.0	—	2	800	23.60	16.90	15.20	12.00	21.80	13.20	7.80	6.05	4.06	2.66
				1	600	20.20	13.90		21.90	15.70					3.82
YH2F24TB21S	JHVTB24CBAC2N1	17.5	—	2	825	23.60	18.00	16.00	12.00	22.00	13.80	7.80	6.15	3.92	2.64
				1	500	20.20	13.30		22.55	15.70					3.46
YH2F24TB21S	JHVTB36DBAC2N1	17.5	—	2	850	23.80	17.40	15.20	11.70	22.00	13.30	7.80	6.05	4.08	2.64
				1	525	19.50	12.90		21.20	15.50					3.70
YH2F24TB21S	JHVTC36DBAC2N1	21.0	—	2	825	23.80	17.30	15.20	12.00	21.80	13.10	7.80	6.05	4.12	2.68
				1	575	20.00	13.60		21.55	15.70					3.78
YH2F24TB21S	JMET08BS2N1A	17.5	XAF/XAF/XAUB30C	2	725	23.40	17.20	16.00	12.00	21.80	13.70	7.80	6.15	3.82	2.62
				1	500	20.20	13.30		22.85	15.70					3.48
YH2F24TB21S	JMET08BS2N1A	17.5	XAF/XAF/XAUB36D	2	700	23.20	16.00	15.20	11.70	21.40	13.30	7.80	6.10	3.92	2.66
				1	475	19.10	12.40		21.00	15.40					3.60
YH2F24TB21S	JMET08BS2N1A	17.5	XAH/XAHB30C	2	700	23.00	16.00	15.20	12.00	21.80	13.80	7.80	6.10	3.78	2.62
				1	600	20.60	14.50		22.45	15.70					3.50
YH2F24TB21S	JMET08BS2N1A	17.5	XAH/XAHB36D	2	700	23.20	16.70	16.00	12.00	20.60	13.40	7.80	6.15	3.80	2.68
				1	575	20.40	14.40		22.35	15.40					3.62
YH2F24TB21S	JMET12BS2N1A	17.5	XAF/XAF/XAUB30C	2	800	23.60	17.90	16.00	12.00	22.00	13.80	7.80	6.10	3.90	2.64
				1	575	20.60	14.00		22.80	15.90					3.58
YH2F24TB21S	JMET12BS2N1A	17.5	XAF/XAF/XAUB36D	2	775	23.60	16.80	15.20	12.00	21.60	13.20	7.80	6.05	4.02	2.66
				1	575	20.00	13.60		21.60	15.70					3.78
YH2F24TB21S	JMET12BS2N1A	17.5	XAH/XAHB30C	2	775	23.40	16.90	16.00	12.00	22.00	14.00	7.80	6.10	3.88	2.66
				1	575	20.40	14.10		22.75	15.60					3.48
YH2F24TB21S	JMET12BS2N1A	17.5	XAH/XAHB36D	2	750	23.40	17.30	16.00	12.00	20.80	13.50	7.80	6.10	3.82	2.68
				1	550	20.20	14.10		22.55	15.30					3.62
YH2F24TB21S	JMET12BS4N1A	17.5	XAF/XAF/XAUB36D	2	750	23.40	16.40	15.20	11.70	21.60	13.30	7.80	6.05	3.98	2.66
				1	550	19.70	13.20		21.20	15.60					3.70
YH2F24TB21S	JMET12BS4N1A	17.5	XAH/XAHB36D	2	725	23.40	17.10	15.20	12.00	20.80	13.40	7.80	6.15	3.80	2.68
				1	525	20.00	13.70		22.20	15.30					3.54
YH2F24TB21S	JMET12CS2N1A	21.0	XAF/XAFC30C	2	950	24.00	19.20	16.00	12.00	22.20	13.90	8.10	6.15	4.04	2.66
				1	725	21.60	15.70		23.30	16.20					3.88
YH2F24TB21S	JMET12CS2N1A	21.0	XAF/XAFC36D	2	925	24.00	18.10	16.00	12.00	22.20	13.20	8.10	6.30	4.18	2.66
				1	700	21.20	15.10		22.60	16.00					4.00
YH2F24TB21S	JMET12CS2N1A	21.0	XAH/XAHC30C	2	925	24.00	18.40	16.00	12.00	22.20	14.30	8.10	5.70	4.06	2.72
				1	700	21.20	15.60		23.15	15.90					3.70
YH2F24TB21S	JMET12CS2N1A	21.0	XAH/XAHC36D	2	925	24.00	19.20	16.00	12.00	21.00	13.80	8.10	6.35	3.98	2.76
				1	675	21.00	15.60		23.05	15.70					3.84
YH2F24TB21S	JMET16CS2N1A	21.0	XAF/XAFC30C	2	950	24.00	19.20	16.00	12.00	22.20	13.90	8.10	5.90	4.06	2.68
				1	775	21.80	16.20		23.10	16.40					3.94
YH2F24TB21S	JMET16CS2N1A	21.0	XAF/XAFC36D	2	925	24.00	18.10	16.00	12.00	22.20	13.20	8.10	6.30	4.20	2.66
				1	750	21.60	15.70		22.65	16.20					4.08
YH2F24TB21S	JMET16CS2N1A	21.0	XAH/XAHC30C	2	925	24.00	18.40	16.00	12.00	22.20	14.20	8.10	5.45	4.08	2.74
				1	775	21.60	16.40		23.10	16.10					3.84
YH2F24TB21S	JMET16CS2N1A	21.0	XAH/XAHC36D	2	900	24.00	19.00	16.00	12.00	21.00	13.70	8.10	6.35	3.96	2.74
				1	750	21.40	16.50		23.05	15.90					3.96
YH2F24TB21S	JMET16CS4N1A	21.0	XAF/XAFC30C	2	850	23.80	18.40	16.00	12.00	22.00	13.80	8.10	6.35	3.94	2.64
				1	725	21.40	15.50		22.70	16.30					3.82
YH2F24TB21S	JMET16CS4N1A	21.0	XAF/XAFC36D	2	825	23.80	17.30	15.20	12.00	21.80	13.30	8.10	6.30	4.06	2.64
				1	700	21.00	14.90		22.10	16.10					3.96
YH2F24TB21S	JMET16CS4N1A	21.0	XAH/XAHC30C	2	825	23.60	17.40	16.00	12.00	22.00	14.10	8.10	6.15	3.94	2.68
				1	700	21.00	15.40		22.60	16.00					3.66
YH2F24TB21S	JMET16CS4N1A	21.0	XAH/XAHC36D	2	825	23.80	18.20	16.00	12.00	21.00	13.60	7.80	6.05	3.90	2.72
				1	700	21.20	16.00		22.70	15.80					3.84

Table 6: Air handler capacity - two-stage

Outdoor unit model	Air handler model	Air handler width (in.)	Indoor coil model	Stage	Rated CFM	Net cool (MBH)	Sens cool (MBH)	SEER2	EER2	Net47 (MBH)	Net17 (MBH)	HSPF2 IV	HSPF 2 V	Cop4 7	Cop1 7
YH2F24TB21S	JMVT12BC2N1A	17.5	XAF/XAF/XAUB30C	2	825	23.80	18.20	16.00	12.00	22.00	13.80	7.80	6.10	3.92	2.64
				1	550	20.40	13.70		22.50	15.90				3.54	
YH2F24TB21S	JMVT12BC2N1A	17.5	XAF/XAF/XAUB36D	2	825	23.80	17.30	15.20	12.00	21.80	13.20	7.80	6.05	4.10	2.66
				1	500	19.30	12.70		20.90	15.40				3.64	
YH2F24TB21S	JMVT12BC2N1A	17.5	XAH/XAHB30C	2	825	23.60	17.40	15.20	12.00	22.00	14.00	8.10	6.35	3.94	2.68
				1	525	20.00	13.50		22.30	15.50				3.40	
YH2F24TB21S	JMVT12BC2N1A	17.5	XAH/XAHB36D	2	825	23.80	18.20	15.20	12.00	21.00	13.60	7.80	6.10	3.90	2.72
				1	500	19.90	13.50		22.25	15.20				3.54	
YH2F30TB21S	JHETB30DBAS2N1	17.5	—	2	950	29.40	21.40	15.20	11.70	27.40	19.60	7.80	6.10	3.76	2.88
				1	725	25.40	17.80		23.00	20.60				3.84	
YH2F30TB21S	JHETB36DBAS2N1	17.5	—	2	1200	30.00	23.20	16.00	12.00	28.80	18.50	8.10	6.45	3.86	2.64
				1	600	24.80	16.40		22.85	19.60				3.46	
YH2F30TB21S	JHETC36DBAS2N1	21.0	—	2	1175	30.00	23.00	16.00	12.00	28.60	18.30	8.10	6.05	3.92	2.68
				1	825	26.40	19.00		23.50	20.40				3.88	
YH2F30TB21S	JHETC42FBAS2N1	21.0	—	2	1125	30.00	23.00	16.00	12.00	28.80	18.50	8.10	6.30	3.90	2.70
				1	650	25.40	17.50		23.15	20.00				3.60	
YH2F30TB21S	JHVTB36DBAC2N1	17.5	—	2	1000	29.80	21.80	16.00	12.00	28.00	18.30	7.80	6.20	3.72	2.62
				1	575	24.60	16.10		22.80	19.50				3.46	
YH2F30TB21S	JHVTC36DBAC2N1	21.0	—	2	1050	30.00	22.40	16.00	12.00	28.00	18.00	7.80	6.15	3.88	2.70
				1	575	24.60	16.10		22.85	19.50				3.44	
YH2F30TB21S	JHVTC42FBAC2N1	21.0	—	2	1050	30.00	22.60	16.00	12.00	28.60	18.20	8.10	6.30	3.90	2.70
				1	650	25.40	17.50		22.85	20.00				3.60	
YH2F30TB21S	JHVTD42FBAC2N1	24.5	—	2	1050	30.00	22.60	16.00	12.00	28.60	18.20	8.10	6.30	3.92	2.72
				1	675	25.60	17.80		22.90	20.20				3.64	
YH2F30TB21S	JMET12BS2N1A	17.5	XAF/XAF/XAUB36D	2	1175	30.00	23.00	16.00	12.00	28.60	18.40	8.10	6.45	3.88	2.66
				1	625	25.00	16.70		23.10	19.70				3.52	
YH2F30TB21S	JMET12BS2N1A	17.5	XAH/XAHB36D	2	750	27.80	18.80	15.20	11.70	26.40	17.20	7.50	6.00	3.50	2.52
				1	550	23.60	15.40		22.15	19.50				3.36	
YH2F30TB21S	JMET12BS4N1A	17.5	XAF/XAF/XAUB36D	2	750	29.00	19.80	15.20	12.00	27.20	17.90	7.80	6.25	3.56	2.62
				1	550	24.40	15.80		22.15	19.50				3.36	
YH2F30TB21S	JMET12CS2N1A	21.0	XAF/XAF/XAUC48F	2	950	30.00	21.80	16.00	12.00	28.40	18.00	8.10	6.45	3.80	2.66
				1	725	25.80	18.30		22.90	20.40				3.70	
YH2F30TB21S	JMET12CS2N1A	21.0	XAF/XAFC36D	2	1100	30.00	22.60	16.00	12.00	28.40	18.30	8.10	6.45	3.84	2.66
				1	725	25.60	17.80		23.25	20.00				3.68	
YH2F30TB21S	JMET12CS2N1A	21.0	XAH/XAHC36D	2	1100	29.40	22.40	16.00	11.70	27.60	17.80	7.80	6.15	3.80	2.62
				1	725	24.80	17.50		23.10	20.00				3.68	
YH2F30TB21S	JMET12CS2N1A	21.0	XAH/XAHC48F	2	975	29.60	22.20	16.00	12.00	27.60	17.50	7.80	6.15	3.76	2.60
				1	750	25.80	18.60		23.55	20.40				3.74	
YH2F30TB21S	JMET12CS4N1A	21.0	XAF/XAUC48F	2	1025	30.00	22.40	16.00	12.00	28.60	18.20	8.10	6.30	3.84	2.68
				1	750	26.00	18.60		22.90	20.40				3.72	
YH2F30TB21S	JMET12CS4N1A	21.0	XAF36D	2	1000	30.00	22.00	16.00	12.00	28.00	18.20	8.10	6.45	3.76	2.66
				1	725	25.60	17.80		22.90	20.20				3.66	
YH2F30TB21S	JMET12CS4N1A	21.0	XAH36D	2	1150	29.40	22.60	16.00	11.70	27.80	18.00	8.10	6.45	3.82	2.62
				1	750	25.00	17.90		23.00	20.20				3.72	
YH2F30TB21S	JMET12CS4N1A	21.0	XAH48F	2	1025	29.80	22.40	16.00	12.00	27.80	17.60	7.80	6.15	3.80	2.60
				1	775	26.00	18.90		23.45	20.40				3.78	
YH2F30TB21S	JMET16CS2N1A	21.0	XAF/XAF/XAUC48F	2	950	30.00	21.80	16.00	12.00	28.40	18.00	8.10	6.45	3.80	2.66
				1	775	26.20	18.90		22.80	20.40				3.76	
YH2F30TB21S	JMET16CS2N1A	21.0	XAF/XAFC36D	2	1125	30.00	22.80	16.00	12.00	28.40	18.30	8.10	6.25	3.86	2.68
				1	800	26.20	18.70		23.30	20.40				3.82	
YH2F30TB21S	JMET16CS2N1A	21.0	XAH/XAHC36D	2	1125	29.40	22.60	16.00	11.70	27.80	17.90	8.10	6.45	3.82	2.62
				1	800	25.20	18.30		23.15	20.40				3.82	
YH2F30TB21S	JMET16CS2N1A	21.0	XAH/XAHC48F	2	950	29.60	22.00	16.00	12.00	27.40	17.50	7.80	6.15	3.74	2.58
				1	800	26.00	19.00		23.40	20.60				3.80	
YH2F30TB21S	JMET16CS4N1A	21.0	XAF/XAUC48F	2	1075	30.00	22.80	16.00	12.00	28.80	18.40	8.10	6.15	3.88	2.70
				1	775	26.20	18.90		23.05	20.40				3.78	
YH2F30TB21S	JMET16CS4N1A	21.0	XAF36D	2	1075	30.00	22.60	16.00	12.00	28.20	18.20	8.10	6.45	3.82	2.66
				1	750	25.80	18.10		23.05	20.20				3.72	
YH2F30TB21S	JMET16CS4N1A	21.0	XAH36D	2	1050	29.20	22.00	16.00	11.70	27.40	17.70	7.80	6.15	3.76	2.60
				1	750	25.00	17.90		22.85	20.20				3.72	

Table 6: Air handler capacity - two-stage

Outdoor unit model	Air handler model	Air handler width (in.)	Indoor coil model	Stage	Rated CFM	Net cool (MBH)	Sens cool (MBH)	SEER2	EER2	Net47 (MBH)	Net17 (MBH)	HSPF2 IV	HSPF 2 V	Cop4 7	Cop1 7
YH2F30TB21S	JMET16CS4N1A	21.0	XAHC48F	2	1100	30.00	23.20	16.00	12.00	28.00	17.70	7.80	6.10	3.84	2.60
				1	800	26.00	19.00		23.65	20.60					3.82
YH2F30TB21S	JMVT12BC2N1A	17.5	XAF/XAF/XAUB36D	2	1050	30.00	22.40	16.00	12.00	28.20	18.20	7.80	6.15	3.80	2.66
				1	550	24.40	15.80		22.50	19.40					3.38
YH2F30TB21S	JMVT12BC2N1A	17.5	XAH/XAHC36D	2	1050	29.00	21.80	15.20	11.70	27.60	17.80	7.80	6.20	3.72	2.58
				1	650	24.20	16.50		22.40	19.80					3.54
YH2F30TB21S	JMVT16CC2N1A	21.0	XAF/XAF/XAUC48F	2	1075	30.00	22.80	16.00	12.00	28.60	18.30	8.10	6.30	3.92	2.72
				1	675	25.60	17.80		22.85	20.20					3.64
YH2F30TB21S	JMVT16CC2N1A	21.0	XAF/XAFC36D	2	1075	30.00	22.60	16.00	12.00	28.20	18.20	8.10	6.45	3.86	2.68
				1	675	25.40	17.40		22.95	19.90					3.60
YH2F30TB21S	JMVT16CC2N1A	21.0	XAH/XAHC36D	2	1075	29.20	22.00	16.00	11.70	27.60	17.70	7.80	6.15	3.80	2.62
				1	675	24.40	16.90		22.75	19.90					3.60
YH2F30TB21S	JMVT16CC2N1A	21.0	XAH/XAHC48F	2	1075	30.00	23.00	16.00	12.00	27.80	17.60	7.80	6.15	3.86	2.62
				1	675	25.20	17.60		23.45	20.20					3.66
YH2F30TB21S	JMVT17CC2N1A	21.0	XAF/XAF/XAUC48F	2	1100	30.00	23.00	16.00	12.00	28.60	18.30	8.10	6.15	3.94	2.72
				1	675	25.60	17.80		22.85	20.20					3.64
YH2F30TB21S	JMVT17CC2N1A	21.0	XAF/XAFC36D	2	1100	30.00	22.60	16.00	12.00	28.20	18.20	8.10	6.45	3.88	2.68
				1	675	25.40	17.40		22.95	19.90					3.60
YH2F30TB21S	JMVT17CC2N1A	21.0	XAH/XAHC36D	2	1100	29.40	22.40	16.00	11.70	27.60	17.80	7.80	6.15	3.82	2.62
				1	675	24.40	16.90		22.75	19.90					3.60
YH2F30TB21S	JMVT17CC2N1A	21.0	XAH/XAHC48F	2	1100	30.00	23.20	16.00	12.00	27.80	17.60	7.80	6.10	3.90	2.64
				1	675	25.20	17.60		23.45	20.20					3.64
YH2F36TB21S	JHETB36DBCS2N1	17.5	—	2	1200	34.60	25.00	15.20	11.70	34.20	21.80	7.80	6.20	3.68	2.50
				1	825	29.00	19.90		20.35	25.00					3.58
YH2F36TB21S	JHETC36DBCS2N1	21.0	—	2	1175	35.00	25.80	15.20	12.00	33.40	23.80	7.80	6.20	3.68	2.82
				1	825	29.60	20.80		21.50	25.00					3.72
YH2F36TB21S	JHETC42FBCC2N1	21.0	—	2	1325	35.40	26.80	15.20	11.70	34.40	22.40	8.10	6.30	3.74	2.56
				1	825	29.60	20.20		20.80	25.20					3.64
YH2F36TB21S	JHVTB36DBCC2N1	17.5	—	2	1075	34.00	23.80	15.20	11.70	34.00	21.60	7.80	6.20	3.62	2.48
				1	775	28.40	19.10		20.05	24.80					3.52
YH2F36TB21S	JHVTB36DBCC2N1	21.0	—	2	1350	35.60	26.80	15.20	12.00	34.40	21.60	7.80	6.20	3.84	2.56
				1	675	27.60	18.00		20.35	24.40					3.42
YH2F36TB21S	JHVTC42FBCC2N1	21.0	—	2	1350	35.60	27.20	15.20	11.70	34.40	22.20	8.10	6.30	3.82	2.60
				1	750	29.00	19.30		20.65	24.80					3.56
YH2F36TB21S	JHVTD42FBCC2N1	24.5	—	2	1375	35.80	27.40	15.20	12.00	34.20	22.20	8.10	6.15	3.86	2.62
				1	825	29.60	20.20		20.85	25.20					3.66
YH2F36TB21S	JMET12BS2N1A	17.5	XAF/XAF/XAUB36D	2	1175	34.60	25.00	15.20	11.70	34.20	21.60	7.80	6.20	3.68	2.50
				1	800	28.80	19.60		20.25	25.00					3.54
YH2F36TB21S	JMET12BS4N1A	17.5	XAF/XAF/XAUB36D	2	1225	34.60	25.20	15.20	11.70	34.40	21.80	7.80	6.20	3.68	2.50
				1	800	28.80	19.60		20.15	25.00					3.54
YH2F36TB21S	JMET12CS2N1A	21.0	XAF/XAF/XAUC48F	2	1325	35.40	26.80	15.20	11.70	34.40	22.40	8.10	6.45	3.76	2.56
				1	775	29.20	19.60		20.85	25.00					3.60
YH2F36TB21S	JMET12CS2N1A	21.0	XAF/XAFC36D	2	1300	35.20	26.20	15.20	11.70	34.40	21.80	7.80	6.20	3.74	2.52
				1	750	28.40	19.00		20.45	24.60					3.50
YH2F36TB21S	JMET12CS2N1A	21.0	XAH/XAHC36D	2	1100	34.20	24.80	15.20	12.00	33.20	21.80	7.80	6.20	3.58	2.56
				1	725	28.80	19.30		21.50	24.60					3.36
YH2F36TB21S	JMET12CS2N1A	21.0	XAH/XAHC48F	2	1150	35.80	26.40	16.00	12.00	33.80	21.80	7.80	6.15	3.68	2.60
				1	775	29.80	20.60		22.25	25.00					3.50
YH2F36TB21S	JMET12CS4N1A	21.0	XAF/XAF/XAUC48F	2	1375	35.60	27.20	15.20	11.70	34.60	22.60	8.10	6.30	3.76	2.56
				1	800	29.40	19.90		20.80	25.00					3.62
YH2F36TB21S	JMET12CS4N1A	21.0	XAF/XAFC36D	2	1350	35.40	26.60	15.20	11.70	34.60	22.00	7.80	6.20	3.74	2.50
				1	775	28.60	19.30		20.50	24.80					3.52
YH2F36TB21S	JMET12CS4N1A	21.0	XAH/XAHC36D	2	1150	34.20	25.00	15.20	12.00	33.40	22.00	7.80	6.15	3.60	2.56
				1	750	28.80	19.50		21.50	24.80					3.38
YH2F36TB21S	JMET12CS4N1A	21.0	XAH/XAHC48F	2	1200	36.00	26.80	16.00	12.00	33.80	22.00	7.80	6.15	3.68	2.60
				1	800	30.00	21.00		22.25	25.00					3.52
YH2F36TB21S	JMET16CS2N1A	21.0	XAF/XAF/XAUC48F	2	1150	34.80	25.20	15.20	11.70	33.80	22.00	8.10	6.40	3.68	2.56
				1	825	29.60	20.20		20.70	25.20					3.64
YH2F36TB21S	JMET16CS2N1A	21.0	XAF/XAFC36D	2	1125	34.40	24.40	15.20	11.70	34.00	21.60	7.80	6.20	3.68	2.52
				1	800	28.80	19.60		20.45	24.80					3.56

Table 6: Air handler capacity - two-stage

Outdoor unit model	Air handler model	Air handler width (in.)	Indoor coil model	Stage	Rated CFM	Net cool (MBH)	Sens cool (MBH)	SEER2	EER2	Net47 (MBH)	Net17 (MBH)	HSPF2 IV	HSPF 2 V	Cop4 7	Cop1 7
YH2F36TB21S	JMET16CS2N1A	21.0	XAH/XAHC36D	2	1125	34.20	25.00	15.20	12.00	33.20	21.80	7.80	6.20	3.60	2.58
				1	800	29.20	20.20		21.70	24.80				3.46	
YH2F36TB21S	JMET16CS2N1A	21.0	XAH/XAHC48F	2	1175	36.00	26.60	16.00	12.00	33.80	22.00	7.80	6.15	3.68	2.60
				1	850	30.40	21.60		22.45	25.20				3.60	
YH2F36TB21S	JMET16CS4N1A	21.0	XAF/XAF/XAUC48F	2	1075	34.40	24.40	15.20	11.70	33.60	21.80	7.80	6.15	3.64	2.54
				1	775	29.20	19.60		20.45	25.00				3.56	
YH2F36TB21S	JMET16CS4N1A	21.0	XAF/XAFC36D	2	1075	34.00	23.80	15.20	11.70	33.80	21.40	7.80	6.20	3.66	2.52
				1	750	28.20	18.80		20.10	24.80				3.48	
YH2F36TB21S	JMET16CS4N1A	21.0	XAH/XAHC36D	2	1050	34.00	24.20	15.20	12.00	33.00	21.80	7.80	6.20	3.56	2.56
				1	750	28.80	19.50		21.40	24.80				3.38	
YH2F36TB21S	JMET16CS4N1A	21.0	XAH/XAHC48F	2	1100	35.60	25.80	16.00	12.00	33.60	21.80	7.80	6.15	3.64	2.58
				1	800	30.00	21.00		22.10	25.00				3.52	
YH2F36TB21S	JMVT12BC2N1A	17.5	XAF/XAF/XAUB36D	2	1200	34.60	25.00	15.20	11.70	34.20	21.80	7.80	6.20	3.68	2.50
				1	750	28.40	19.00		20.20	24.60				3.50	
YH2F36TB21S	JMVT12BC2N1A	17.5	XAH/XAHC36D	2	1050	33.80	24.00	15.20	11.70	33.20	21.80	7.80	6.20	3.54	2.54
				1	725	28.60	19.10		21.05	24.60				3.34	
YH2F36TB21S	JMVT16CC2N1A	21.0	XAF/XAF/XAUC48F	2	1400	35.80	27.60	15.20	11.70	34.60	22.40	8.10	6.30	3.84	2.60
				1	700	28.80	19.00		20.70	24.60				3.52	
YH2F36TB21S	JMVT16CC2N1A	21.0	XAF/XAFC36D	2	1400	35.80	27.40	15.20	11.70	34.60	21.80	7.80	6.20	3.82	2.54
				1	700	27.80	18.30		20.35	24.40				3.46	
YH2F36TB21S	JMVT16CC2N1A	21.0	XAH/XAHC36D	2	1400	35.20	27.60	15.20	11.70	34.20	22.20	8.10	6.45	3.76	2.60
				1	700	28.60	19.00		21.70	24.40				3.36	
YH2F36TB21S	JMVT16CC2N1A	21.0	XAH/XAHC48F	2	1200	36.00	26.80	16.00	12.00	33.80	21.80	7.80	6.15	3.72	2.62
				1	675	29.00	19.30		21.95	24.60				3.38	
YH2F36TB21S	JMVT17CC2N1A	21.0	XAF/XAF/XAUC48F	2	1400	35.80	27.60	15.20	11.70	34.60	22.40	8.10	6.20	3.84	2.60
				1	900	30.00	21.00		20.95	25.40				3.76	
YH2F36TB21S	JMVT17CC2N1A	21.0	XAF/XAFC36D	2	1400	35.60	27.20	15.20	11.70	34.60	21.80	8.10	6.40	3.80	2.54
				1	900	29.80	21.00		20.95	25.20				3.72	
YH2F36TB21S	JMVT17CC2N1A	21.0	XAH/XAHC36D	2	1400	35.20	27.60	16.00	11.70	34.20	22.20	8.10	6.35	3.76	2.58
				1	900	30.00	21.40		21.95	25.20				3.62	
YH2F36TB21S	JMVT17CC2N1A	21.0	XAH/XAHC48F	2	1200	36.00	26.80	16.00	12.00	33.80	21.80	7.80	6.15	3.72	2.62
				1	675	29.00	19.30		21.90	24.60				3.38	
YH2F36TB21S	JMVT20DC2N1A	24.5	XAF/XAFD48F	2	1425	36.00	28.00	15.20	12.00	34.40	22.40	8.10	6.05	3.90	2.62
				1	875	29.80	20.60		20.95	25.20				3.74	
YH2F36TB21S	JMVT20DC2N1A	24.5	XAH/XAHD48F	2	1300	36.00	27.40	16.00	12.00	34.00	22.00	8.10	6.35	3.78	2.64
				1	875	30.60	22.00		22.30	25.20				3.62	
YH2F42TB21S	JHETC42FBCS2N1	21.0	—	2	1375	41.00	30.20	16.00	12.00	40.00	28.00	8.10	6.35	3.84	2.98
				1	825	34.60	23.00		23.15	28.40				3.62	
YH2F42TB21S	JHVTC42FBCC2N1	21.0	—	2	1450	41.00	31.00	16.00	12.00	40.00	25.20	8.10	6.20	3.86	2.62
				1	800	34.00	23.20		22.45	26.20				3.40	
YH2F42TB21S	JHVTD42FBCC2N1	24.5	—	2	1450	41.00	31.00	16.00	12.00	40.00	25.20	8.10	6.20	3.88	2.64
				1	825	34.00	23.20		22.45	26.40				3.42	
YH2F42TB21S	JMET12CS2N1A	21.0	XAF/XAF/XAUC48F	2	1325	40.50	29.80	16.00	12.00	39.50	25.00	8.10	6.25	3.80	2.60
				1	850	34.20	23.60		22.45	26.40				3.44	
YH2F42TB21S	JMET12CS2N1A	21.0	XAH/XAHC48F	2	1325	40.50	29.40	16.00	12.00	39.50	25.20	8.10	6.15	3.84	2.68
				1	800	34.20	22.80		23.15	26.20				3.38	
YH2F42TB21S	JMET12CS4N1A	21.0	XAF/XAF/XAUC48F	2	1375	40.50	30.20	16.00	12.00	40.00	25.20	8.10	6.25	3.80	2.60
				1	800	34.00	23.20		22.40	26.20				3.38	
YH2F42TB21S	JMET12CS4N1A	21.0	XAH/XAHC48F	2	1400	40.50	30.00	16.00	12.00	40.00	25.60	8.10	6.05	3.88	2.68
				1	825	34.40	23.20		23.10	26.40				3.38	
YH2F42TB21S	JMET16CS2N1A	21.0	XAF/XAF/XAUC48F	2	1575	41.00	31.60	16.00	11.70	40.50	25.80	8.10	6.20	3.84	2.60
				1	875	34.40	23.80		22.65	26.60				3.48	
YH2F42TB21S	JMET16CS2N1A	21.0	XAH/XAHC48F	2	1575	41.00	31.40	16.00	12.00	40.50	26.60	8.10	5.85	3.92	2.72
				1	900	34.80	24.00		23.40	26.60				3.48	
YH2F42TB21S	JMET16CS4N1A	21.0	XAF/XAF/XAUC48F	2	1500	41.00	31.20	16.00	12.00	40.00	25.40	8.10	6.20	3.84	2.62
				1	825	34.00	23.20		22.45	26.40				3.42	
YH2F42TB21S	JMET16CS4N1A	21.0	XAH/XAHC48F	2	1100	40.00	27.80	16.00	12.00	39.50	24.20	8.10	6.35	3.76	2.60
				1	800	34.00	22.60		22.75	26.20				3.34	
YH2F42TB21S	JMET18DS2N1A	24.5	XAF/XAFD48F	2	1575	41.50	32.20	16.00	12.00	40.00	25.60	8.10	6.05	3.90	2.64
				1	1075	35.40	25.80		22.55	27.40				3.66	

Table 6: Air handler capacity - two-stage

Outdoor unit model	Air handler model	Air handler width (in.)	Indoor coil model	Stage	Rated CFM	Net cool (MBH)	Sens cool (MBH)	SEER2	EER2	Net47 (MBH)	Net17 (MBH)	HSPF2 IV	HSPF 2 V	Cop4 7	Cop1 7
YH2F42TB21S	JMET18DS2N1A	24.5	XAH/XAHD48F	2	1550	41.50	31.60	16.00	12.00	40.00	26.20	8.10	5.75	3.96	2.74
				1	1075	35.80	25.80		23.25	27.40					3.64
YH2F42TB21S	JMET18DS4N1A	24.5	XAF/XAFD48F	2	1550	41.50	32.00	16.00	12.00	40.00	25.60	8.10	6.10	3.88	2.62
				1	1050	35.20	25.60		22.35	27.40					3.62
YH2F42TB21S	JMET18DS4N1A	24.5	XAH/XAHD48F	2	1550	41.50	31.60	16.00	12.00	40.00	26.20	8.10	5.85	3.96	2.74
				1	1050	35.60	25.40		23.05	27.40					3.60
YH2F42TB21S	JMVT16CC2N1A	21.0	XAF/XAF/XAUC48F	2	1400	41.00	30.80	16.00	12.00	40.00	25.20	8.10	6.20	3.84	2.62
				1	825	34.00	23.20		22.50	26.20					3.44
YH2F42TB21S	JMVT16CC2N1A	21.0	XAH/XAHC48F	2	1400	41.00	30.40	16.00	12.00	40.00	25.40	8.10	6.00	3.92	2.72
				1	825	34.40	23.20		23.25	26.20					3.42
YH2F42TB21S	JMVT17CC2N1A	21.0	XAF/XAF/XAUC48F	2	1400	41.00	30.80	16.00	12.00	40.00	25.20	8.10	6.20	3.84	2.62
				1	900	34.40	24.00		22.40	26.60					3.50
YH2F42TB21S	JMVT17CC2N1A	21.0	XAH/XAHC48F	2	1400	41.00	30.40	16.00	12.00	40.00	25.40	8.10	6.00	3.92	2.72
				1	900	34.80	24.00		23.15	26.60					3.48
YH2F42TB21S	JMVT20DC2N1A	24.5	XAF/XAFD48F	2	1425	41.00	30.80	16.00	12.00	39.50	25.00	8.10	6.10	3.90	2.66
				1	875	34.40	23.80		22.40	26.60					3.48
YH2F42TB21S	JMVT20DC2N1A	24.5	XAH/XAHD48F	2	1425	41.00	30.60	16.00	12.00	40.00	25.40	8.10	5.90	3.96	2.74
				1	875	34.60	23.60		23.00	26.60					3.44
YH2F48TB21S	JHETC48GBCS2N1	21.0	—	2	1575	45.50	32.40	15.20	11.00	47.00	31.80	8.10	6.20	3.80	2.84
				1	875	37.60	24.60		22.40	32.80					3.54
YH2F48TB21S	JHETC60HBCS2N1	24.5	—	2	1500	46.00	33.60	15.20	11.70	45.00	34.20	7.80	6.25	3.80	3.14
				1	1050	39.50	27.20		22.90	33.80					3.94
YH2F48TB21S	JHETD48GBCS2N1	21.0	—	2	1375	45.00	31.20	15.20	11.70	46.50	31.40	8.10	6.20	3.76	2.84
				1	900	37.80	25.00		22.40	33.00					3.58
YH2F48TB21S	JHETD60HBCS2N1	24.5	—	2	1700	47.00	34.20	16.00	11.70	44.00	29.60	8.10	6.45	3.88	2.78
				1	950	38.50	26.20		22.80	31.40					3.60
YH2F48TB21S	JHVTC48GBC2N1	21.0	—	2	1425	45.50	31.80	15.20	11.70	46.50	31.40	8.10	6.30	3.80	2.86
				1	800	37.00	23.60		21.95	32.40					3.46
YH2F48TB21S	JHVTC60HBC2N1	21.0	—	2	1675	46.50	33.60	15.20	11.70	44.50	29.60	8.10	6.45	3.84	2.76
				1	925	38.50	26.00		22.60	31.20					3.58
YH2F48TB21S	JHVTD48GBC2N1	24.5	—	2	1200	44.50	30.00	15.20	11.70	46.00	31.00	8.10	6.25	3.72	2.84
				1	850	37.40	24.20		21.95	32.80					3.50
YH2F48TB21S	JHVTD60HBC2N1	24.5	—	2	1650	46.50	33.40	16.00	12.00	44.00	29.40	8.10	6.30	3.90	2.80
				1	950	39.00	26.60		22.95	31.20					3.62
YH2F48TB21S	JMET12CS2N1A	21.0	XAF/XAF/XAUC60G	2	1350	45.00	31.20	15.20	11.70	46.50	31.40	8.10	6.25	3.74	2.82
				1	800	37.00	23.60		22.15	32.40					3.46
YH2F48TB21S	JMET12CS2N1A	21.0	XAF/XAFC60H	2	1450	46.00	32.20	15.20	11.70	43.50	29.40	7.80	6.30	3.76	2.76
				1	850	38.00	25.40		22.50	31.00					3.48
YH2F48TB21S	JMET12CS2N1A	21.0	XAH/XAHC60G	2	1350	46.00	32.20	16.00	12.00	44.50	29.60	7.80	6.30	3.68	2.72
				1	850	38.00	25.20		23.20	32.60					3.52
YH2F48TB21S	JMET12CS2N1A	21.0	XAH/XAHC60H	2	1450	46.00	33.40	16.00	11.70	44.00	30.40	8.10	5.95	3.90	2.92
				1	900	39.00	25.80		23.80	31.20					3.54
YH2F48TB21S	JMET12CS4N1A	21.0	XAF/XAF/XAUC60G	2	1200	44.50	30.00	15.20	11.70	46.00	31.20	8.10	6.35	3.68	2.82
				1	800	37.00	23.60		21.90	32.40					3.44
YH2F48TB21S	JMET12CS4N1A	21.0	XAH/XAHC60G	2	1400	46.50	33.00	16.00	12.00	45.00	29.80	7.80	6.30	3.70	2.72
				1	850	38.00	25.20		23.00	32.60					3.52
YH2F48TB21S	JMET12CS4N1A	21.0	XAH/XAHC60H	2	1525	46.50	34.20	16.00	11.70	44.50	30.60	8.10	5.95	3.92	2.90
				1	925	39.00	26.00		23.65	31.20					3.56
YH2F48TB21S	JMET16CS2N1A	21.0	XAF/XAF/XAUC60G	2	1600	46.00	33.00	15.20	11.00	47.50	31.80	8.10	6.20	3.80	2.82
				1	900	37.80	25.00		22.50	33.00					3.58
YH2F48TB21S	JMET16CS2N1A	21.0	XAF/XAFC60H	2	1300	45.50	31.40	15.20	12.00	43.50	29.00	7.80	6.30	3.72	2.76
				1	925	38.50	26.00		22.50	31.20					3.56
YH2F48TB21S	JMET16CS2N1A	21.0	XAH/XAHC60G	2	1600	47.00	34.60	16.00	11.70	45.50	30.40	7.80	6.25	3.76	2.74
				1	925	38.50	26.00		23.30	33.00					3.62
YH2F48TB21S	JMET16CS2N1A	21.0	XAH/XAHC60H	2	1325	45.50	32.20	16.00	12.00	44.00	30.20	8.10	5.95	3.88	2.94
				1	950	39.00	26.20		23.65	31.40					3.58
YH2F48TB21S	JMET16CS4N1A	21.0	XAF/XAF/XAUC60G	2	1525	45.50	32.20	15.20	11.00	47.00	31.60	8.10	6.20	3.80	2.84
				1	850	37.40	24.20		22.25	32.60					3.52
YH2F48TB21S	JMET16CS4N1A	21.0	XAF/XAFC60H	2	1625	46.50	33.40	15.20	11.70	44.00	29.60	8.10	6.60	3.82	2.76
				1	900	38.50	26.00		22.50	31.20					3.52

Table 6: Air handler capacity - two-stage

Outdoor unit model	Air handler model	Air handler width (in.)	Indoor coil model	Stage	Rated CFM	Net cool (MBH)	Sens cool (MBH)	SEER2	EER2	Net47 (MBH)	Net17 (MBH)	HSPF2 IV	HSPF 2 V	Cop4 7	Cop1 7
YH2F48TB21S	JMET16CS4N1A	21.0	XAH/XAHC60G	2	1700	47.50	35.60	16.00	11.70	46.00	30.60	7.80	6.25	3.78	2.74
				1	900	38.50	26.00		23.25	32.80				3.58	
YH2F48TB21S	JMET16CS4N1A	21.0	XAH/XAHC60H	2	1625	46.50	34.80	16.00	11.70	44.50	30.80	8.10	5.80	3.96	2.90
				1	950	39.00	26.20		23.70	31.40				3.60	
YH2F48TB21S	JMET18DS2N1A	24.5	XAF/XAF/XAUD60G	2	1575	46.00	33.00	15.20	11.70	47.00	31.60	8.10	6.05	3.84	2.86
				1	1100	39.50	27.60		22.85	34.00				3.82	
YH2F48TB21S	JMET18DS2N1A	24.5	XAF/XAF/XAUD60H	2	1675	46.50	33.60	16.00	11.70	44.00	29.60	8.10	6.30	3.86	2.78
				1	1150	40.00	28.40		22.75	32.20				3.80	
YH2F48TB21S	JMET18DS2N1A	24.5	XAH/XAHD60G	2	1550	47.00	34.20	16.00	12.00	45.50	30.20	7.80	6.15	3.76	2.74
				1	1075	39.50	27.60		23.05	33.80				3.78	
YH2F48TB21S	JMET18DS2N1A	24.5	XAH/XAHD60H	2	1675	47.00	35.60	16.00	11.70	45.00	30.80	8.10	5.70	3.98	2.92
				1	1175	40.50	28.60		23.50	32.20				3.84	
YH2F48TB21S	JMET18DS4N1A	24.5	XAF/XAF/XAUD60G	2	1775	46.50	34.20	15.20	11.00	47.50	32.00	8.10	6.05	3.88	2.84
				1	1100	39.50	27.60		22.85	34.00				3.82	
YH2F48TB21S	JMET18DS4N1A	24.5	XAF/XAF/XAUD60H	2	1675	46.50	33.60	15.20	11.70	44.50	29.60	8.10	6.30	3.84	2.76
				1	1125	40.00	28.20		22.55	32.20				3.76	
YH2F48TB21S	JMET18DS4N1A	24.5	XAH/XAHD60G	2	1550	47.00	34.20	16.00	12.00	45.50	30.20	7.80	6.25	3.76	2.74
				1	1050	39.00	27.00		22.85	33.80				3.74	
YH2F48TB21S	JMET18DS4N1A	24.5	XAH/XAHD60H	2	1650	47.00	35.40	16.00	11.70	45.00	30.80	8.10	5.65	3.96	2.90
				1	1150	40.50	28.60		23.35	32.20				3.80	
YH2F48TB21S	JMVT16CC2N1A	21.0	XAF/XAF/XAUC60G	2	1400	45.00	31.40	15.20	11.70	46.50	31.40	8.10	6.30	3.78	2.86
				1	825	37.20	24.00		22.20	32.60				3.50	
YH2F48TB21S	JMVT16CC2N1A	21.0	XAF/XAFC60H	2	1600	46.50	33.20	15.20	11.70	44.00	29.40	8.10	6.60	3.82	2.76
				1	825	38.00	25.20		22.70	30.80				3.48	
YH2F48TB21S	JMVT16CC2N1A	21.0	XAH/XAHC60G	2	1600	47.00	34.60	16.00	11.70	45.50	30.20	7.80	6.25	3.78	2.76
				1	825	38.00	25.20		23.40	32.40				3.52	
YH2F48TB21S	JMVT16CC2N1A	21.0	XAH/XAHC60H	2	1600	46.50	34.60	16.00	11.70	44.50	30.60	8.10	5.80	3.96	2.92
				1	825	38.50	25.00		24.20	30.60				3.50	
YH2F48TB21S	JMVT17CC2N1A	21.0	XAF/XAF/XAUC60G	2	1200	44.50	30.00	15.20	11.70	46.00	31.00	8.10	6.25	3.72	2.84
				1	900	37.80	25.00		21.95	33.00				3.56	
YH2F48TB21S	JMVT17CC2N1A	21.0	XAF/XAFC60H	2	1600	46.50	33.20	15.20	11.70	44.00	29.60	8.10	6.55	3.82	2.76
				1	825	37.80	25.00		22.05	31.00				3.42	
YH2F48TB21S	JMVT17CC2N1A	21.0	XAH/XAHC60G	2	1600	47.00	34.60	16.00	11.70	45.50	30.20	7.80	6.25	3.78	2.76
				1	900	38.50	26.00		23.25	32.80				3.60	
YH2F48TB21S	JMVT17CC2N1A	21.0	XAH/XAHC60H	2	1600	46.50	34.60	16.00	11.70	44.50	30.60	8.10	5.95	3.96	2.92
				1	850	38.50	25.20		23.20	31.00				3.46	
YH2F48TB21S	JMVT20DC2N1A	24.5	XAF/XAF/XAUD60G	2	1425	45.50	31.80	15.20	11.70	46.50	31.20	8.10	6.20	3.82	2.88
				1	875	37.60	24.60		22.20	32.80				3.56	
YH2F48TB21S	JMVT20DC2N1A	24.5	XAF/XAF/XAUD60H	2	1700	47.00	34.20	15.20	11.70	44.00	29.60	8.10	6.45	3.88	2.78
				1	875	38.00	25.40		22.55	31.00				3.52	
YH2F48TB21S	JMVT20DC2N1A	24.5	XAH/XAHD60G	2	1550	47.00	34.20	16.00	12.00	45.50	30.00	7.80	6.25	3.78	2.76
				1	875	38.00	25.40		22.90	32.80				3.56	
YH2F48TB21S	JMVT20DC2N1A	24.5	XAH/XAHD60H	2	1700	47.00	35.80	16.00	11.70	45.00	30.80	8.10	5.80	4.02	2.92
				1	875	39.00	25.80		23.65	31.00				3.52	
YH2F60TB21S	JHETC60HBCS2N1	24.5	—	2	1525	53.50	37.00	15.20	11.70	55.00	37.60	7.80	6.65	3.42	2.60
				1	1100	46.00	30.20		20.40	39.00				3.34	
YH2F60TB21S	JHETD60HBCS2N1	24.5	—	2	1750	56.00	38.00	16.00	11.70	56.00	37.80	8.10	6.20	3.58	2.68
				1	1300	49.00	33.40		21.50	39.50				3.56	
YH2F60TB21S	JHETD60JBCS2N1	24.5	—	2	1750	56.00	38.00	16.00	11.70	56.00	38.00	8.10	6.20	3.58	2.66
				1	1250	48.50	32.60		21.60	39.00				3.52	
YH2F60TB21S	JHVTC60HBCC2N1	21.0	—	2	1650	55.00	36.80	15.20	11.70	55.50	37.80	8.10	6.25	3.52	2.66
				1	1225	48.00	32.00		21.05	39.00				3.48	
YH2F60TB21S	JHVTD60HBCC2N1	24.5	—	2	1775	56.00	38.00	16.00	11.70	56.00	37.80	8.10	6.20	3.62	2.70
				1	1225	48.00	32.00		21.70	39.00				3.52	
YH2F60TB21S	JHVTD60JBC2N1	24.5	—	2	1850	56.50	39.00	16.00	11.70	56.50	38.00	8.10	6.20	3.62	2.66
				1	1375	49.50	34.00		21.55	40.00				3.62	
YH2F60TB21S	JMET18DS2N1A	24.5	XAF/XAF/XAUD60H	2	1825	56.50	39.00	16.00	11.70	56.00	38.00	8.10	6.20	3.62	2.68
				1	1225	48.00	32.00		21.45	39.00				3.50	
YH2F60TB21S	JMET18DS2N1A	24.5	XAF/XAFD60J	2	1825	56.50	39.00	16.00	11.70	56.50	38.00	8.10	6.20	3.60	2.66
				1	1250	48.50	32.60		21.60	39.00				3.52	

Table 6: Air handler capacity - two-stage

Outdoor unit model	Air handler model	Air handler width (in.)	Indoor coil model	Stage	Rated CFM	Net cool (MBH)	Sens cool (MBH)	SEER2	EER2	Net47 (MBH)	Net17 (MBH)	HSPF2 IV	HSPF2 V	Cop47	Cop17
YH2F60TB21S	JMET18DS2N1A	24.5	XAH/XAHD60H	2	1575	54.50	37.80	15.20	11.70	57.50	37.40	7.80	6.35	3.58	2.50
				1	1100	47.00	31.00		21.05	38.50			3.40		
YH2F60TB21S	JMET18DS2N1A	24.5	XAH/XAHD60J	2	1550	54.50	37.80	15.20	11.70	58.00	37.40	7.80	6.35	3.56	2.50
				1	1100	47.00	31.00		21.05	38.50			3.38		
YH2F60TB21S	JMVT20DC2N1A	24.5	XAF/XAF/XAUD60H	2	1900	57.00	39.50	16.00	11.70	56.00	38.00	8.10	6.20	3.64	2.66
				1	1350	49.50	34.00		21.75	39.50			3.62		
YH2F60TB21S	JMVT20DC2N1A	24.5	XAF/XAFD60J	2	1800	56.50	39.00	16.00	11.70	56.00	38.00	8.10	6.20	3.60	2.68
				1	1250	48.50	32.60		21.60	39.00			3.52		
YH2F60TB21S	JMVT20DC2N1A	24.5	XAH/XAHD60H	2	1675	55.00	39.00	15.20	11.70	58.00	37.60	8.10	6.45	3.62	2.54
				1	1250	48.00	32.60		21.10	39.00			3.52		
YH2F60TB21S	JMVT20DC2N1A	24.5	XAH/XAHD60J	2	1550	54.50	37.80	15.20	11.70	58.00	37.40	8.10	6.65	3.56	2.50
				1	1325	48.50	33.20		20.85	39.50			3.56		

Air handler capacity data notes

- Rated in accordance with DOE test procedures (Federal Register 12-27-79 and 3-18-88) and ANSI/AHRI Standard 210/240.
- The cooling MBH is based on 80°F entering air temperature, 50% relative humidity (RH), and rated airflow.
- The energy efficiency ratio (EER2) is the total cooling output in BTUs at 95°F outdoor ambient divided by the total electric power in watt-hours at those conditions.
- The heating MBH is based on AHRI standards of 70°F DB (Dry Bulb) entering indoor air, 72% RH (Relative Humidity) outdoor air with 25 ft of interconnecting piping and no supplemental electric heat operation. HSPF2 (Heating Seasonal Performance Factor) is the total heating output during a normal annual usage period for heating divided by the total electric power input during the same period. COP (Coefficient of Performance) equals Heating MBH output divided by (total kW input x 3.412).
- A cell with no value means not applicable.

Coil only capacity

Table 7: Coil only capacity

Outdoor unit model	Indoor coil model	Indoor coil width (in.)	CFM range	Stage	Rated CFM	Net cool (MBH)	Sens cool (MBH)	SEER2	EER2	Net47 (MBH)	Net17 (MBH)	HSPF2 IV	HSPF2 V	Cop47	Cop17
YH2F48TB21S	XAH/XAHC60H	21.0	1400—1800	2	1600	46.00	34.20	14.30	11.00	45.50	31.40	7.80	5.90	3.78	2.80
			1000—1400	1	1200	39.50	27.80		19.75	33.40	31.40	7.80	5.90	3.56	
YH2F48TB21S	XAH/XAHD60H	24.5	1400—1800	2	1600	46.00	34.20	14.30	11.00	45.50	31.40	7.80	5.90	3.78	2.80
			1000—1400	1	1200	39.50	27.80		19.75	33.40	31.40	7.80	5.90	3.56	

Furnace capacity - 1.5 ton

Table 8: Furnace capacity - 1.5 ton

Outdoor unit model	Furnace model	Furnace width (in.)	Indoor coil model	Rated CFM	Net cool (MBH)	Sens cool (MBH)	SEER2	EER2	Net47 (MBH)	Net17 (MBH)	HSPF2 IV	HSPF2 V	Cop47	Cop17
YH2F18SB21S	TM9Y080B12MP11	17.5	XAF/XAF/XAUB30C	525	16.80	11.80	15.20	12.50	15.40	9.90	7.50	5.85	3.64	2.46
YH2F18SB21S	TM9Y060B12MP11	21.0	XAH/XAHC30C	725	17.60	14.80	15.20	12.00	15.70	9.90	7.50	5.90	3.74	2.40

Table 8: Furnace capacity - 1.5 ton

Outdoor unit model	Furnace model	Furnace width (in.)	Indoor coil model	Rated CFM	Net cool (MBH)	Sens cool (MBH)	SEER2	EER2	Net47 (MBH)	Net17 (MBH)	HSPF2 IV	HSPF2 V	Cop47	Cop17
YH2F18SB21S	TM9V060B12MP12C	21.0	XAF/XAFC30C	675	17.40	13.20	14.30	12.00	16.00	10.20	7.50	5.80	3.82	2.50
YH2F18SB21S	TP9C060B12MP13C	21.0	XAF/XAFC30C	675	17.40	13.20	14.30	12.00	16.00	10.20	7.50	5.80	3.82	2.50
YH2F18SB21S	YP9C060B12MP13C	21.0	XAF/XAFC30C	675	17.40	13.20	14.30	12.00	16.00	10.20	7.50	5.80	3.82	2.50
YH2F18SB21S	TM9E100C16MP12	21.0	XAH/XAHC30C	725	17.60	14.80	16.00	12.50	15.60	9.80	7.50	5.90	3.78	2.44
YH2F18SB21S	TM9E080B12MP12	21.0	XAF/XAFC30C	600	17.10	12.40	15.20	12.50	15.70	10.10	7.50	5.80	3.74	2.48
YH2F18SB21S	TM9E040A10MP12	17.5	XAF/XAF/XAUB30C	550	16.90	12.00	14.30	12.00	15.60	10.00	7.50	5.85	3.66	2.46
YH2F18SB21S	TM8V080B12MP12C	17.5	XAF/XAF/XAUB30C	625	17.20	12.70	14.30	12.00	15.80	10.10	7.50	5.80	3.76	2.50
YH2F18SB21S	TPLC080B12MP13C	17.5	XAF/XAF/XAUB30C	625	17.20	12.70	14.30	12.00	15.80	10.10	7.50	5.80	3.76	2.50
YH2F18SB21S	YPLC080B12MP13C	17.5	XAF/XAF/XAUB30C	625	17.20	12.70	14.30	12.00	15.80	10.10	7.50	5.80	3.76	2.50
YH2F18SB21S	TM8V060A12MP12C	17.5	XAF/XAF/XAUB30C	700	17.50	13.40	15.20	12.50	16.10	10.20	7.50	5.75	3.90	2.54
YH2F18SB21S	TMLV060A12MP12C	17.5	XAF/XAF/XAUB30C	700	17.50	13.40	15.20	12.50	16.10	10.20	7.50	5.75	3.90	2.54
YH2F18SB21S	TPLC060A12MP13C	17.5	XAF/XAF/XAUB30C	700	17.50	13.40	15.20	12.50	16.10	10.20	7.50	5.75	3.90	2.54
YH2F18SB21S	YPLC060A12MP13C	17.5	XAF/XAF/XAUB30C	700	17.50	13.40	15.20	12.50	16.10	10.20	7.50	5.75	3.90	2.54
YH2F18SB21S	TM8E080B12MP11	17.5	XAH/XAHB30C	725	17.60	14.80	15.20	12.00	15.60	9.80	7.50	5.90	3.76	2.42
YH2F18SB21S	TMLE080B12MP11	17.5	XAH/XAHB30C	725	17.60	14.80	15.20	12.00	15.60	9.80	7.50	5.90	3.76	2.42
YH2F18SB21S	TM8E080B12MP11	21.0	XAF/XAFC30C	525	16.80	11.80	15.20	12.50	15.40	9.90	7.50	5.85	3.64	2.46
YH2F18SB21S	TMLE080B12MP11	21.0	XAF/XAFC30C	525	16.80	11.80	15.20	12.50	15.40	9.90	7.50	5.85	3.64	2.46
YH2F18SB21S	TM8E040A12MP11	17.5	XAH/XAHB30C	725	17.60	14.80	16.00	12.50	15.60	9.80	7.50	5.90	3.78	2.44
YH2F18SB21S	TMLE040A12MP11	17.5	XAH/XAHB30C	725	17.60	14.80	16.00	12.50	15.60	9.80	7.50	5.90	3.78	2.44
YH2F18SB21S	TL8E080C16UH11	21.0	XAH/XAHC30C	725	17.60	14.80	16.00	12.50	15.60	9.80	7.50	5.90	3.80	2.44
YH2F18SB21S	TM9Y060B12MP11	21.0	XAF/XAFC30C	725	17.50	13.50	14.30	12.00	16.30	10.40	7.50	5.75	3.86	2.52
YH2F18SB21S	TM9Y060B12MP11	17.5	XAF/XAF/XAUB30C	725	17.50	13.50	14.30	12.00	16.30	10.40	7.50	5.75	3.86	2.52
YH2F18SB21S	TM9V040A10MP12C	17.5	XAF/XAF/XAUB30C	625	17.10	12.60	14.30	12.00	15.90	10.20	7.50	5.85	3.72	2.46
YH2F18SB21S	TM9E026A08MP12	17.5	XAF/XAF/XAUB30C	450	16.50	11.10	14.30	12.00	15.20	9.80	7.50	5.90	3.52	2.42
YH2F18SB21S	TM8V080B12MP12C	21.0	XAF/XAFC30C	625	17.20	12.70	14.30	12.00	15.80	10.10	7.50	5.80	3.76	2.50
YH2F18SB21S	TPLC080B12MP13C	21.0	XAF/XAFC30C	625	17.20	12.70	14.30	12.00	15.80	10.10	7.50	5.80	3.76	2.50
YH2F18SB21S	YPLC080B12MP13C	21.0	XAF/XAFC30C	625	17.20	12.70	14.30	12.00	15.80	10.10	7.50	5.80	3.76	2.50
YH2F18SB21S	TM8E100B12MP11	17.5	XAH/XAHB30C	725	17.60	14.80	15.20	12.00	15.60	9.80	7.50	5.90	3.76	2.42
YH2F18SB21S	TMLE100B12MP11	17.5	XAH/XAHB30C	725	17.60	14.80	15.20	12.00	15.60	9.80	7.50	5.90	3.76	2.42
YH2F18SB21S	TM8E040A12MP11	17.5	XAF/XAF/XAUB30C	725	17.60	13.60	15.20	12.50	16.20	10.30	7.80	6.05	3.92	2.54
YH2F18SB21S	TMLE040A12MP11	17.5	XAF/XAF/XAUB30C	725	17.60	13.60	15.20	12.50	16.20	10.30	7.80	6.05	3.92	2.54
YH2F18SB21S	TL9E060B12UH11	21.0	XAF/XAFC30C	500	16.70	11.60	15.20	12.00	15.40	9.90	7.50	5.90	3.60	2.44
YH2F18SB21S	TL8E080C16UH11	21.0	XAF/XAFC30C	725	17.60	13.60	15.20	12.50	16.20	10.30	7.80	6.05	3.92	2.54
YH2F18SB21S	TL8E060A12UH11	17.5	XAF/XAF/XAUB30C	700	17.50	13.40	15.20	12.50	16.10	10.20	7.50	5.75	3.88	2.52
YH2F18SB21S	TM9Y080B12MP11	21.0	XAF/XAFC30C	525	16.80	11.80	15.20	12.00	15.40	9.90	7.50	5.85	3.64	2.46
YH2F18SB21S	TM9V060B12MP12C	17.5	XAF/XAF/XAUB30C	675	17.40	13.20	14.30	12.00	16.00	10.20	7.50	5.80	3.84	2.50
YH2F18SB21S	TP9C060B12MP13C	17.5	XAF/XAF/XAUB30C	675	17.40	13.20	14.30	12.00	16.00	10.20	7.50	5.80	3.84	2.50
YH2F18SB21S	YP9C060B12MP13C	17.5	XAF/XAF/XAUB30C	675	17.40	13.20	14.30	12.00	16.00	10.20	7.50	5.80	3.84	2.50
YH2F18SB21S	TM8E080C16MP11	21.0	XAH/XAHC30C	725	17.60	14.80	16.00	12.50	15.60	9.80	7.50	5.90	3.80	2.44
YH2F18SB21S	TMLE080C16MP11	21.0	XAH/XAHC30C	725	17.60	14.80	16.00	12.50	15.60	9.80	7.50	5.90	3.80	2.44
YH2F18SB21S	TM8E080C16MP11	21.0	XAF/XAFC30C	725	17.60	13.60	15.20	12.50	16.20	10.30	7.80	6.05	3.92	2.54
YH2F18SB21S	TM8E080B12MP11	17.5	XAF/XAF/XAUB30C	525	16.80	11.80	15.20	12.50	15.40	9.90	7.50	5.85	3.64	2.46
YH2F18SB21S	TMLE080B12MP11	17.5	XAF/XAF/XAUB30C	525	16.80	11.80	15.20	12.50	15.40	9.90	7.50	5.85	3.64	2.46
YH2F18SB21S	TM9V080B12MP12C	21.0	XAF/XAFC30C	700	17.50	13.40	15.20	12.50	16.10	10.20	7.80	6.00	3.90	2.54
YH2F18SB21S	TP9C080B12MP13C	21.0	XAF/XAFC30C	700	17.50	13.40	15.20	12.50	16.10	10.20	7.80	6.00	3.90	2.54
YH2F18SB21S	YP9C080B12MP13C	21.0	XAF/XAFC30C	700	17.50	13.40	15.20	12.50	16.10	10.20	7.80	6.00	3.90	2.54
YH2F18SB21S	TM9E100C16MP12	21.0	XAF/XAFC30C	725	17.60	13.60	15.20	12.50	16.20	10.30	7.80	6.05	3.92	2.54
YH2F18SB21S	TM8Y080C16MP11	21.0	XAH/XAHC30C	725	17.60	14.80	16.00	12.50	15.60	9.80	7.50	5.90	3.78	2.44
YH2F18SB21S	TM8V080B12MP12C	17.5	XAH/XAHB30C	725	17.60	14.80	15.20	12.00	15.70	9.90	7.50	5.90	3.70	2.40
YH2F18SB21S	TPLC080B12MP13C	17.5	XAH/XAHB30C	725	17.60	14.80	15.20	12.00	15.70	9.90	7.50	5.90	3.70	2.40
YH2F18SB21S	YPLC080B12MP13C	17.5	XAH/XAHB30C	725	17.60	14.80	15.20	12.00	15.70	9.90	7.50	5.90	3.70	2.40
YH2F18SB21S	TM8E100B12MP11	17.5	XAF/XAF/XAUB30C	650	17.30	12.90	15.20	12.50	15.90	10.10	7.50	5.80	3.82	2.52
YH2F18SB21S	TMLE100B12MP11	17.5	XAF/XAF/XAUB30C	650	17.30	12.90	15.20	12.50	15.90	10.10	7.50	5.80	3.82	2.52
YH2F18SB21S	TL9E060B12UH11	17.5	XAF/XAF/XAUB30C	725	17.50	13.50	14.30	12.00	16.30	10.40	7.50	5.75	3.86	2.52
YH2F18SB21S	TM9E080B12MP12	17.5	XAF/XAF/XAUB30C	600	17.10	12.40	15.20	12.50	15.70	10.10	7.50	5.80	3.74	2.48
YH2F18SB21S	TM9E060A10MP12	17.5	XAF/XAF/XAUB30C	700	17.40	13.30	14.30	12.00	16.20	10.30	7.50	5.80	3.84	2.50
YH2F18SB21S	TM8Y080C16MP11	21.0	XAF/XAFC30C	500	16.70	11.60	15.20	12.50	15.30	9.80	7.50	5.90	3.64	2.46
YH2F18SB21S	TM8Y060A12MP11	17.5	XAF/XAF/XAUB30C	650	17.30	12.90	15.20	12.50	15.90	10.10	7.50	5.80	3.82	2.50
YH2F18SB21S	TM8E100C16MP11	21.0	XAF/XAFC30C	700	17.50	13.40	15.20	12.50	16.10	10.20	7.50	5.75	3.88	2.54
YH2F18SB21S	TMLE100C16MP11	21.0	XAF/XAFC30C	700	17.50	13.40	15.20	12.50	16.10	10.20	7.50	5.75	3.88	2.54
YH2F18SB21S	TM8E100B12MP11	21.0	XAF/XAFC30C	650	17.30	12.90	15.20	12.50	15.90	10.10	7.50	5.80	3.82	2.52

Table 8: Furnace capacity - 1.5 ton

Outdoor unit model	Furnace model	Furnace width (in.)	Indoor coil model	Rated CFM	Net cool (MBH)	Sens cool (MBH)	SEER2	EER2	Net47 (MBH)	Net17 (MBH)	HSPF2 IV	HSPF2 V	Cop47	Cop17
YH2F18SB21S	TMLE100B12MP11	21.0	XAF/XAFC30C	650	17.30	12.90	15.20	12.50	15.90	10.10	7.50	5.80	3.82	2.52
YH2F18SB21S	TL9E080C16UH11	21.0	XAF/XAFC30C	700	17.50	13.40	15.20	12.50	16.10	10.20	7.50	5.75	3.88	2.52
YH2F18SB21S	TL9E060B12UH11	21.0	XAH/XAHC30C	725	17.60	14.80	15.20	12.00	15.70	9.90	7.50	5.90	3.74	2.40
YH2F18SB21S	TM9Y040A10MP11	17.5	XAF/XAF/XAUB30C	600	17.00	12.30	14.30	12.00	15.80	10.20	7.50	5.90	3.68	2.44
YH2F18SB21S	TM9V080B12MP12C	17.5	XAF/XAF/XAUB30C	700	17.50	13.40	15.20	12.50	16.10	10.20	7.80	6.00	3.90	2.54
YH2F18SB21S	TP9C080B12MP13C	17.5	XAF/XAF/XAUB30C	700	17.50	13.40	15.20	12.50	16.10	10.20	7.80	6.00	3.90	2.54
YH2F18SB21S	YP9C080B12MP13C	17.5	XAF/XAF/XAUB30C	700	17.50	13.40	15.20	12.50	16.10	10.20	7.80	6.00	3.90	2.54
YH2F18SB21S	TM9E080C16MP12	21.0	XAF/XAFC30C	700	17.50	13.40	15.20	12.50	16.10	10.20	7.50	5.75	3.90	2.54
YH2F18SB21S	TM9E060B12MP12	21.0	XAF/XAFC30C	550	16.90	12.00	14.30	12.00	15.60	10.00	7.50	5.85	3.66	2.46
YH2F18SB21S	TM9E060B12MP12	17.5	XAF/XAF/XAUB30C	575	17.00	12.20	15.20	12.00	15.60	10.00	7.50	5.85	3.70	2.48
YH2F18SB21S	TM8V080B12MP12C	21.0	XAH/XAHC30C	725	17.60	14.80	15.20	12.00	15.70	9.90	7.50	5.90	3.72	2.40
YH2F18SB21S	TPLC080B12MP13C	21.0	XAH/XAHC30C	725	17.60	14.80	15.20	12.00	15.70	9.90	7.50	5.90	3.72	2.40
YH2F18SB21S	YPLC080B12MP13C	21.0	XAH/XAHC30C	725	17.60	14.80	15.20	12.00	15.70	9.90	7.50	5.90	3.72	2.40
YH2F18SB21S	TM8E120C16MP11	21.0	XAF/XAFC30C	725	17.60	13.60	15.20	12.50	16.20	10.30	7.80	6.05	3.94	2.54
YH2F18SB21S	TMLE120C16MP11	21.0	XAF/XAFC30C	725	17.60	13.60	15.20	12.50	16.20	10.30	7.80	6.05	3.94	2.54
YH2F18SB21S	TM8E060A12MP11	17.5	XAF/XAF/XAUB30C	725	17.60	13.60	15.20	12.50	16.20	10.30	7.80	6.05	3.92	2.54
YH2F18SB21S	TMLE060A12MP11	17.5	XAF/XAF/XAUB30C	725	17.60	13.60	15.20	12.50	16.20	10.30	7.80	6.05	3.92	2.54
YH2F18SB21S	TM8Y080B12MP11	17.5	XAF/XAF/XAUB30C	675	17.40	13.20	15.20	12.50	16.00	10.20	7.50	5.75	3.86	2.54
YH2F18SB21S	TM8Y080B12MP11	21.0	XAF/XAFC30C	675	17.40	13.20	15.20	12.50	16.00	10.20	7.50	5.75	3.86	2.54
YH2F18SB21S	TM8Y100C16MP11	21.0	XAF/XAFC30C	500	16.70	11.60	15.20	12.50	15.30	9.80	7.50	5.90	3.64	2.46

Furnace capacity - 2 ton

Table 9: Furnace capacity - 2 ton

Outdoor unit model	Furnace model	Furnace width (in.)	Indoor coil model	Stage	Rated CFM	Net cool (MBH)	Sens cool (MBH)	SEER2	EER2	Net47 (MBH)	Net17 (MBH)	HSPF2 IV	HSPF2 V	Cop47	Cop17
YH2F24TB21S	YPLC060A12MP13C	17.5	XAF/XAF/XAUB30C	2	875	23.80	18.60	16.00	11.70	22.20	14.00	7.80	6.10	3.88	2.60
				1	625	20.80	14.50		22.30	16.10				3.64	
YH2F24TB21S	TM9Y080C16MP11	21.0	XAH/XAHC30C	2	775	23.20	16.70	15.20	11.70	22.00	14.10	7.80	6.10	3.80	2.62
				1	550	20.20	13.80		22.35	15.60				3.42	
YH2F24TB21S	TM9V080B12MP12C	21.0	XAF/XAFC30C	2	825	23.60	18.00	15.20	11.70	22.20	14.00	7.80	6.15	3.84	2.60
				1	575	20.60	14.00		22.10	16.00				3.56	
YH2F24TB21S	TP9C080B12MP13C	21.0	XAF/XAFC30C	2	825	23.60	18.00	15.20	11.70	22.20	14.00	7.80	6.15	3.84	2.60
				1	575	20.60	14.00		22.10	16.00				3.56	
YH2F24TB21S	YP9C080B12MP13C	21.0	XAF/XAFC30C	2	825	23.60	18.00	15.20	11.70	22.20	14.00	7.80	6.15	3.84	2.60
				1	575	20.60	14.00		22.10	16.00				3.56	
YH2F24TB21S	TM9V080B12MP12C	17.5	XAF/XAF/XAUB30C	2	825	23.60	18.00	15.20	11.70	22.20	14.00	7.80	6.15	3.84	2.60
				1	575	20.60	14.00		22.15	16.00				3.56	
YH2F24TB21S	TP9C080B12MP13C	17.5	XAF/XAF/XAUB30C	2	825	23.60	18.00	15.20	11.70	22.20	14.00	7.80	6.15	3.84	2.60
				1	575	20.60	14.00		22.15	16.00				3.56	
YH2F24TB21S	YP9C080B12MP13C	17.5	XAF/XAF/XAUB30C	2	825	23.60	18.00	15.20	11.70	22.20	14.00	7.80	6.15	3.84	2.60
				1	575	20.60	14.00		22.15	16.00				3.56	
YH2F24TB21S	TM9V040A10MP12C	17.5	XAH/XAHB30C	2	775	23.00	16.50	14.30	11.00	22.40	14.30	7.50	5.90	3.70	2.56
				1	500	19.80	13.10		21.35	15.60				3.30	
YH2F24TB21S	TM9V040A10MP12C	17.5	XAF/XAF/XAUB30C	2	800	23.20	17.50	15.20	11.00	22.40	14.20	7.50	5.90	3.70	2.52
				1	500	20.00	13.10		21.50	15.90				3.40	
YH2F24TB21S	TM9E040A10MP12	17.5	XAH/XAHB30C	2	750	23.00	16.40	14.30	11.00	22.20	14.30	7.50	5.90	3.68	2.56
				1	575	20.20	13.90		21.30	15.80				3.38	
YH2F24TB21S	TM8V080B12MP12C	17.5	XAH/XAHB30C	2	825	23.20	17.00	15.20	11.00	22.20	14.40	7.80	6.15	3.78	2.60
				1	550	20.20	13.80		21.65	15.70				3.38	
YH2F24TB21S	TPLC080B12MP13C	17.5	XAH/XAHB30C	2	825	23.20	17.00	15.20	11.00	22.20	14.40	7.80	6.15	3.78	2.60
				1	550	20.20	13.80		21.65	15.70				3.38	
YH2F24TB21S	YPLC080B12MP13C	17.5	XAH/XAHB30C	2	825	23.20	17.00	15.20	11.00	22.20	14.40	7.80	6.15	3.78	2.60
				1	550	20.20	13.80		21.65	15.70				3.38	
YH2F24TB21S	TM8E100B12MP11	17.5	XAH/XAHB30C	2	725	23.00	16.20	15.20	11.70	22.00	14.00	7.80	6.15	3.76	2.60
				1	600	20.40	14.30		21.70	15.80				3.46	
YH2F24TB21S	TMLE100B12MP11	17.5	XAH/XAHB30C	2	725	23.00	16.20	15.20	11.70	22.00	14.00	7.80	6.15	3.76	2.60
				1	600	20.40	14.30		21.70	15.80				3.46	
YH2F24TB21S	TM8E040A12MP11	17.5	XAH/XAHB30C	2	725	23.20	16.40	15.20	11.70	22.00	14.00	7.80	6.15	3.78	2.62
				1	575	20.20	13.90		21.85	15.70				3.42	
YH2F24TB21S	TMLE040A12MP11	17.5	XAH/XAHB30C	2	725	23.20	16.40	15.20	11.70	22.00	14.00	7.80	6.15	3.78	2.62
				1	575	20.20	13.90		21.85	15.70				3.42	
YH2F24TB21S	TM8E040A12MP11	17.5	XAF/XAF/XAUB30C	2	900	23.80	18.70	16.00	11.70	22.40	14.10	7.80	6.10	3.88	2.60
				1	650	21.00	14.80		22.70	16.10				3.70	
YH2F24TB21S	TMLE040A12MP11	17.5	XAF/XAF/XAUB30C	2	900	23.80	18.70	16.00	11.70	22.40	14.10	7.80	6.10	3.88	2.60
				1	650	21.00	14.80		22.70	16.10				3.70	
YH2F24TB21S	TL9E060B12UH11	17.5	XAH/XAHB30C	2	900	23.60	17.90	15.20	11.00	22.60	14.60	7.80	6.15	3.82	2.60
				1	600	20.40	14.30		22.00	15.80				3.48	
YH2F24TB21S	TM9Y100C16MP11	21.0	XAF/XAFC36D	2	950	24.00	18.10	15.20	11.50	22.60	13.50	7.80	6.10	4.08	2.58
				1	575	20.00	13.60		21.35	15.70				3.76	
YH2F24TB21S	TM9Y080C16MP11	21.0	XAF/XAFC36D	2	775	23.40	16.60	15.20	11.70	21.80	13.40	7.80	6.10	3.94	2.60
				1	550	19.70	13.20		21.15	15.60				3.70	
YH2F24TB21S	TM9Y060B12MP11	17.5	XAH/XAHB36D	2	800	23.40	17.60	15.20	11.00	21.20	13.80	7.50	5.85	3.72	2.62
				1	600	20.40	14.60		21.60	15.60				3.62	
YH2F24TB21S	TM9Y040A10MP11	17.5	XAF/XAF/XAUB36D	2	675	22.80	15.40	14.30	11.00	21.60	13.70	7.50	5.85	3.72	2.54
				1	500	19.10	12.50		19.95	15.60				3.56	
YH2F24TB21S	TM9V080B12MP12C	17.5	XAH/XAHB36D	2	825	23.60	18.00	15.20	11.00	21.20	13.80	7.80	6.10	3.80	2.66
				1	575	20.40	14.40		21.90	15.50				3.62	
YH2F24TB21S	TP9C080B12MP13C	17.5	XAH/XAHB36D	2	825	23.60	18.00	15.20	11.00	21.20	13.80	7.80	6.10	3.80	2.66
				1	575	20.40	14.40		21.90	15.50				3.62	
YH2F24TB21S	YP9C080B12MP13C	17.5	XAH/XAHB36D	2	825	23.60	18.00	15.20	11.00	21.20	13.80	7.80	6.10	3.80	2.66
				1	575	20.40	14.40		21.90	15.50				3.62	
YH2F24TB21S	TM9V060B12MP12C	21.0	XAF/XAFC36D	2	875	23.60	17.40	14.30	11.00	22.40	13.60	7.80	6.10	3.96	2.56
				1	575	19.90	13.50		20.80	15.80				3.72	

Table 9: Furnace capacity - 2 ton

Outdoor unit model	Furnace model	Furnace width (in.)	Indoor coil model	Stage	Rated CFM	Net cool (MBH)	Sens cool (MBH)	SEER2	EER2	Net47 (MBH)	Net17 (MBH)	HSPF2 IV	HSPF2 V	Cop47	Cop17
YH2F24TB21S	TP9C060B12MP13C	21.0	XAF/XAFC36D	2	875	23.60	17.40	14.30	11.00	22.40	13.60	7.80	6.10	3.96	2.56
				1	575	19.90	13.50		20.80	15.80				3.72	
YH2F24TB21S	YP9C060B12MP13C	21.0	XAF/XAFC36D	2	875	23.60	17.40	14.30	11.00	22.40	13.60	7.80	6.10	3.96	2.56
				1	575	19.90	13.50		20.80	15.80				3.72	
YH2F24TB21S	TM9E080B12MP12	21.0	XAH/XAHC36D	2	900	23.80	18.70	15.20	11.00	21.40	14.00	7.80	6.10	3.82	2.66
				1	700	21.00	15.80		21.85	15.90				3.78	
YH2F24TB21S	TM9E060A10MP12	17.5	XAH/XAHC36D	2	900	23.60	18.50	15.20	11.00	21.60	14.20	7.50	5.85	3.72	2.60
				1	625	20.60	14.90		21.60	15.70				3.64	
YH2F24TB21S	TM9E040A10MP12	17.5	XAF/XAF/XAUB36D	2	875	23.40	17.20	14.30	10.50	22.80	13.90	7.50	5.85	3.80	2.46
				1	600	20.00	13.70		20.65	15.90				3.72	
YH2F24TB21S	TM8Y060A12MP11	17.5	XAH/XAHC36D	2	625	22.80	15.80	15.20	11.70	20.60	13.40	7.80	6.20	3.68	2.60
				1	525	20.00	13.70		21.25	15.40				3.48	
YH2F24TB21S	TM8E100B12MP11	21.0	XAH/XAHC36D	2	925	24.00	19.10	16.00	11.70	21.40	14.00	7.80	6.10	3.84	2.68
				1	650	20.80	15.30		22.45	15.70				3.76	
YH2F24TB21S	TMLE100B12MP11	21.0	XAH/XAHC36D	2	925	24.00	19.10	16.00	11.70	21.40	14.00	7.80	6.10	3.84	2.68
				1	650	20.80	15.30		22.45	15.70				3.76	
YH2F24TB21S	TM8E100B12MP11	21.0	XAF/XAFC36D	2	950	24.00	18.10	15.20	11.70	22.60	13.50	7.80	6.05	4.08	2.58
				1	675	20.80	14.70		21.95	16.00				3.92	
YH2F24TB21S	TMLE100B12MP11	21.0	XAF/XAFC36D	2	950	24.00	18.10	15.20	11.70	22.60	13.50	7.80	6.05	4.08	2.58
				1	675	20.80	14.70		21.95	16.00				3.92	
YH2F24TB21S	TM8E080C16MP11	21.0	XAH/XAHC36D	2	875	24.00	18.70	16.00	11.70	21.20	13.80	7.80	6.10	3.86	2.70
				1	700	21.20	16.00		22.40	15.90				3.82	
YH2F24TB21S	TMLE080C16MP11	21.0	XAH/XAHC36D	2	875	24.00	18.70	16.00	11.70	21.20	13.80	7.80	6.10	3.86	2.70
				1	700	21.20	16.00		22.40	15.90				3.82	
YH2F24TB21S	TM8E080B12MP11	17.5	XAH/XAHC36D	2	850	23.60	18.10	15.20	11.70	21.20	13.90	7.80	6.10	3.78	2.64
				1	625	20.60	14.90		21.80	15.70				3.66	
YH2F24TB21S	TMLE080B12MP11	17.5	XAH/XAHC36D	2	850	23.60	18.10	15.20	11.70	21.20	13.90	7.80	6.10	3.78	2.64
				1	625	20.60	14.90		21.80	15.70				3.66	
YH2F24TB21S	TM8E080B12MP11	21.0	XAF/XAFC36D	2	875	23.80	17.60	15.20	11.70	22.20	13.50	7.80	6.05	4.00	2.58
				1	675	20.80	14.70		21.55	16.10				3.88	
YH2F24TB21S	TMLE080B12MP11	21.0	XAF/XAFC36D	2	875	23.80	17.60	15.20	11.70	22.20	13.50	7.80	6.05	4.00	2.58
				1	675	20.80	14.70		21.55	16.10				3.88	
YH2F24TB21S	TL8E080C16UH11	21.0	XAH/XAHC36D	2	900	24.00	18.90	15.20	11.70	21.20	13.90	8.10	6.35	3.86	2.70
				1	775	21.40	16.60		21.65	16.20				3.86	
YH2F24TB21S	TL8E080C16UH11	21.0	XAF/XAFC36D	2	900	24.00	17.90	15.20	11.70	22.40	13.40	7.80	6.00	4.06	2.60
				1	800	21.80	16.00		21.60	16.60				4.02	
YH2F24TB21S	TL8E060A12UH11	14.5	XAF/XAFA30D	2	875	23.60	17.40	15.20	11.00	22.40	13.50	7.80	6.10	3.96	2.56
				1	575	19.90	13.50		21.00	15.80				3.72	
YH2F24TB21S	TM9Y100C16MP11	21.0	XAH/XAHC30C	2	750	23.20	16.60	15.20	11.70	22.00	14.10	7.80	6.15	3.78	2.60
				1	550	20.20	13.80		21.80	15.70				3.40	
YH2F24TB21S	TM9Y080B12MP11	21.0	XAH/XAHC30C	2	750	23.20	16.60	15.20	11.70	22.20	14.10	7.80	6.10	3.78	2.60
				1	625	20.60	14.60		21.75	15.90				3.50	
YH2F24TB21S	TM9E100C16MP12	21.0	XAH/XAHC30C	2	875	23.60	17.70	15.20	11.70	22.40	14.30	8.10	6.15	3.92	2.66
				1	675	20.80	15.10		22.10	16.00				3.60	
YH2F24TB21S	TM9E060A10MP12	17.5	XAH/XAHC30C	2	900	23.40	17.70	15.20	11.00	22.60	14.70	7.80	6.15	3.80	2.58
				1	650	20.60	14.70		21.75	15.90				3.52	
YH2F24TB21S	TM9E060A10MP12	17.5	XAF/XAF/XAUB30C	2	925	23.60	18.70	15.20	11.00	22.60	14.30	7.80	6.15	3.78	2.52
				1	675	21.00	14.90		21.95	16.30				3.68	
YH2F24TB21S	TM9E026A08MP12	17.5	XAF/XAF/XAUB30C	2	775	23.20	17.30	15.20	11.00	22.20	14.20	7.50	5.90	3.68	2.52
				1	575	20.40	13.80		21.50	16.10				3.50	
YH2F24TB21S	TM8Y080C16MP11	21.0	XAH/XAHC30C	2	925	23.40	17.90	16.00	11.70	22.00	14.40	7.80	5.75	3.96	2.68
				1	675	21.00	15.30		22.80	15.90				3.64	
YH2F24TB21S	TM8E120C16MP11	21.0	XAH/XAHC30C	2	925	23.80	18.20	15.20	11.70	22.40	14.40	8.10	5.95	4.00	2.68
				1	700	21.00	15.40		22.50	16.00				3.66	
YH2F24TB21S	TMLE120C16MP11	21.0	XAH/XAHC30C	2	925	23.80	18.20	15.20	11.70	22.40	14.40	8.10	5.95	4.00	2.68
				1	700	21.00	15.40		22.50	16.00				3.66	
YH2F24TB21S	TM8E080C16MP11	21.0	XAF/XAFC30C	2	900	23.80	18.70	16.00	11.70	22.40	14.00	8.10	6.35	3.92	2.62
				1	725	21.40	15.50		22.40	16.40				3.80	
YH2F24TB21S	TMLE080C16MP11	21.0	XAF/XAFC30C	2	900	23.80	18.70	16.00	11.70	22.40	14.00	8.10	6.35	3.92	2.62
				1	725	21.40	15.50		22.40	16.40				3.80	

Table 9: Furnace capacity - 2 ton

Outdoor unit model	Furnace model	Furnace width (in.)	Indoor coil model	Stage	Rated CFM	Net cool (MBH)	Sens cool (MBH)	SEER2	EER2	Net47 (MBH)	Net17 (MBH)	HSPF2 IV	HSPF2 V	Cop47	Cop17
YH2F24TB21S	TM8E080B12MP11	21.0	XAF/XAFC30C	2	900	23.80	18.70	15.20	11.70	22.40	14.10	7.80	6.10	3.88	2.58
				1	675	21.20	15.10		22.20	16.20				3.70	
YH2F24TB21S	TMLE080B12MP11	21.0	XAF/XAFC30C	2	900	23.80	18.70	15.20	11.70	22.40	14.10	7.80	6.10	3.88	2.58
				1	675	21.20	15.10		22.20	16.20				3.70	
YH2F24TB21S	TL9E060B12UH11	21.0	XAH/XAHC30C	2	925	23.60	18.00	15.20	11.00	22.60	14.60	8.10	6.15	3.88	2.62
				1	650	20.80	14.90		22.05	15.90				3.54	
YH2F24TB21S	TL9E060B12UH11	21.0	XAF/XAFC30C	2	925	23.60	18.70	15.20	11.00	22.60	14.30	7.80	6.15	3.82	2.54
				1	625	20.80	14.50		22.25	16.10				3.62	
YH2F24TB21S	TM9Y080C16MP11	21.0	XAH/XAHC36D	2	750	23.40	17.30	15.20	11.70	21.00	13.60	7.80	6.15	3.76	2.64
				1	550	20.20	14.10		22.35	15.40				3.60	
YH2F24TB21S	TM9Y080B12MP11	21.0	XAF/XAFC36D	2	750	23.20	16.20	15.20	11.70	21.80	13.40	7.80	6.10	3.90	2.60
				1	625	20.40	14.10		20.90	16.00				3.76	
YH2F24TB21S	TM9V060B12MP12C	21.0	XAH/XAHC36D	2	875	23.60	18.30	15.20	11.00	21.40	14.00	7.80	6.10	3.78	2.64
				1	575	20.40	14.40		21.90	15.50				3.62	
YH2F24TB21S	TP9C060B12MP13C	21.0	XAH/XAHC36D	2	875	23.60	18.30	15.20	11.00	21.40	14.00	7.80	6.10	3.78	2.64
				1	575	20.40	14.40		21.90	15.50				3.62	
YH2F24TB21S	YP9C060B12MP13C	21.0	XAH/XAHC36D	2	875	23.60	18.30	15.20	11.00	21.40	14.00	7.80	6.10	3.78	2.64
				1	575	20.40	14.40		21.90	15.50				3.62	
YH2F24TB21S	TM9V060B12MP12C	17.5	XAF/XAF/XAUB36D	2	800	23.40	16.70	14.30	11.00	22.00	13.50	7.80	6.10	3.92	2.58
				1	525	19.40	12.80		20.45	15.60				3.64	
YH2F24TB21S	TP9C060B12MP13C	17.5	XAF/XAF/XAUB36D	2	800	23.40	16.70	14.30	11.00	22.00	13.50	7.80	6.10	3.92	2.58
				1	525	19.40	12.80		20.45	15.60				3.64	
YH2F24TB21S	YP9C060B12MP13C	17.5	XAF/XAF/XAUB36D	2	800	23.40	16.70	14.30	11.00	22.00	13.50	7.80	6.10	3.92	2.58
				1	525	19.40	12.80		20.45	15.60				3.64	
YH2F24TB21S	TM9E080B12MP12	21.0	XAF/XAFC36D	2	925	24.00	18.00	15.20	11.00	22.60	13.50	7.80	6.05	4.04	2.56
				1	725	21.20	15.20		21.55	16.30				3.94	
YH2F24TB21S	TM9E080B12MP12	17.5	XAF/XAF/XAUB36D	2	900	23.80	17.70	15.20	11.00	22.40	13.50	7.80	6.10	4.00	2.56
				1	700	21.00	14.90		21.25	16.20				3.88	
YH2F24TB21S	TM9E060B12MP12	21.0	XAF/XAFC36D	2	950	23.80	17.90	15.20	11.00	22.80	13.70	7.80	6.10	3.96	2.52
				1	675	20.80	14.70		21.15	16.10				3.84	
YH2F24TB21S	TM9E060B12MP12	17.5	XAF/XAF/XAUB36D	2	950	23.80	17.90	15.20	11.00	22.80	13.70	7.80	6.10	3.96	2.52
				1	675	20.80	14.70		21.10	16.10				3.84	
YH2F24TB21S	TM9E060A10MP12	14.5	XAF/XAFA30D	2	875	23.40	17.20	14.30	10.50	22.60	13.80	7.50	5.85	3.86	2.50
				1	625	20.20	13.90		20.65	16.00				3.74	
YH2F24TB21S	TM9E026A08MP12	17.5	XAF/XAF/XAUB36D	2	750	23.00	16.00	14.30	11.00	22.00	13.60	7.50	5.85	3.78	2.54
				1	525	19.40	12.80		20.10	15.70				3.58	
YH2F24TB21S	TM8Y080C16MP11	21.0	XAH/XAHC36D	2	950	24.00	19.40	16.00	11.70	21.40	14.00	8.10	6.35	3.92	2.72
				1	675	21.00	15.60		22.85	15.70				3.82	
YH2F24TB21S	TM8Y080C16MP11	21.0	XAF/XAFC36D	2	750	23.40	16.40	15.20	11.70	21.60	13.30	7.80	6.05	3.94	2.62
				1	650	20.60	14.40		21.45	16.00				3.84	
YH2F24TB21S	TM8E120C16MP11	21.0	XAH/XAHC36D	2	900	24.00	18.90	16.00	11.70	21.20	13.90	8.10	6.35	3.88	2.70
				1	700	21.20	16.00		22.55	15.80				3.84	
YH2F24TB21S	TMLE120C16MP11	21.0	XAH/XAHC36D	2	900	24.00	18.90	16.00	11.70	21.20	13.90	8.10	6.35	3.88	2.70
				1	700	21.20	16.00		22.55	15.80				3.84	
YH2F24TB21S	TM8E100C16MP11	21.0	XAF/XAFC36D	2	900	24.00	17.90	15.20	11.70	22.40	13.40	8.10	6.30	4.06	2.60
				1	700	21.00	14.90		21.95	16.10				3.94	
YH2F24TB21S	TMLE100C16MP11	21.0	XAF/XAFC36D	2	900	24.00	17.90	15.20	11.70	22.40	13.40	8.10	6.30	4.06	2.60
				1	700	21.00	14.90		21.95	16.10				3.94	
YH2F24TB21S	TM8E080B12MP11	21.0	XAH/XAHC36D	2	875	23.80	18.50	15.20	11.70	21.20	13.90	7.80	6.10	3.82	2.66
				1	650	20.80	15.30		22.10	15.70				3.72	
YH2F24TB21S	TMLE080B12MP11	21.0	XAH/XAHC36D	2	875	23.80	18.50	15.20	11.70	21.20	13.90	7.80	6.10	3.82	2.66
				1	650	20.80	15.30		22.10	15.70				3.72	
YH2F24TB21S	TM8E040A12MP11	14.5	XAF/XAFA30D	2	800	23.40	16.70	15.20	11.00	22.00	13.60	7.80	6.10	3.88	2.56
				1	600	20.20	13.90		21.05	15.80				3.76	
YH2F24TB21S	TMLE040A12MP11	14.5	XAF/XAFA30D	2	800	23.40	16.70	15.20	11.00	22.00	13.60	7.80	6.10	3.88	2.56
				1	600	20.20	13.90		21.05	15.80				3.76	
YH2F24TB21S	TM9Y080B12MP11	17.5	XAH/XAHC30C	2	750	23.20	16.60	15.20	11.70	22.20	14.10	7.80	6.10	3.76	2.60
				1	625	20.60	14.60		21.70	15.90				3.48	
YH2F24TB21S	TM9Y040A10MP11	17.5	XAF/XAF/XAUB30C	2	825	23.20	17.60	15.20	10.50	22.60	14.40	7.50	5.95	3.62	2.46
				1	525	20.20	13.40		21.65	15.90				3.44	

Table 9: Furnace capacity - 2 ton

Outdoor unit model	Furnace model	Furnace width (in.)	Indoor coil model	Stage	Rated CFM	Net cool (MBH)	Sens cool (MBH)	SEER2	EER2	Net47 (MBH)	Net17 (MBH)	HSPF2 IV	HSPF2 V	Cop47	Cop17
YH2F24TB21S	TM9V080B12MP12C	17.5	XAH/XAHB30C	2	825	23.40	17.20	15.20	11.70	22.20	14.20	7.80	6.10	3.86	2.64
				1	575	20.40	14.10		22.00	15.70				3.44	
YH2F24TB21S	TP9C080B12MP13C	17.5	XAH/XAHB30C	2	825	23.40	17.20	15.20	11.70	22.20	14.20	7.80	6.10	3.86	2.64
				1	575	20.40	14.10		22.00	15.70				3.44	
YH2F24TB21S	YP9C080B12MP13C	17.5	XAH/XAHB30C	2	825	23.40	17.20	15.20	11.70	22.20	14.20	7.80	6.10	3.86	2.64
				1	575	20.40	14.10		22.00	15.70				3.44	
YH2F24TB21S	TM9V060B12MP12C	17.5	XAH/XAHB30C	2	800	23.20	16.90	15.20	11.00	22.20	14.30	7.80	6.15	3.78	2.60
				1	525	20.00	13.50		21.75	15.60				3.36	
YH2F24TB21S	TP9C060B12MP13C	17.5	XAH/XAHB30C	2	800	23.20	16.90	15.20	11.00	22.20	14.30	7.80	6.15	3.78	2.60
				1	525	20.00	13.50		21.75	15.60				3.36	
YH2F24TB21S	YP9C060B12MP13C	17.5	XAH/XAHB30C	2	800	23.20	16.90	15.20	11.00	22.20	14.30	7.80	6.15	3.78	2.60
				1	525	20.00	13.50		21.75	15.60				3.36	
YH2F24TB21S	TM9V060B12MP12C	21.0	XAF/XAFC30C	2	925	23.60	18.70	15.20	11.00	22.60	14.20	7.80	6.15	3.84	2.56
				1	575	20.60	14.00		22.05	16.00				3.56	
YH2F24TB21S	TP9C060B12MP13C	21.0	XAF/XAFC30C	2	925	23.60	18.70	15.20	11.00	22.60	14.20	7.80	6.15	3.84	2.56
				1	575	20.60	14.00		22.05	16.00				3.56	
YH2F24TB21S	YP9C060B12MP13C	21.0	XAF/XAFC30C	2	925	23.60	18.70	15.20	11.00	22.60	14.20	7.80	6.15	3.84	2.56
				1	575	20.60	14.00		22.05	16.00				3.56	
YH2F24TB21S	TM9E026A08MP12	17.5	XAH/XAHB30C	2	750	23.00	16.40	15.20	11.00	22.20	14.30	7.50	5.90	3.66	2.54
				1	500	19.90	13.20		21.75	15.60				3.32	
YH2F24TB21S	TM8Y080C16MP11	21.0	XAF/XAFC30C	2	750	23.40	17.40	15.20	11.70	22.00	13.80	7.80	6.10	3.78	2.60
				1	625	20.80	14.50		22.20	16.10				3.62	
YH2F24TB21S	TM8Y060A12MP11	17.5	XAH/XAHB30C	2	775	23.20	16.70	15.20	11.70	22.20	14.20	7.80	6.15	3.78	2.60
				1	600	20.40	14.30		22.00	15.80				3.48	
YH2F24TB21S	TM8V080B12MP12C	21.0	XAH/XAHC30C	2	825	23.20	17.00	15.20	11.00	22.20	14.30	7.80	6.15	3.80	2.60
				1	550	20.20	13.80		21.70	15.70				3.40	
YH2F24TB21S	TPLC080B12MP13C	21.0	XAH/XAHC30C	2	825	23.20	17.00	15.20	11.00	22.20	14.30	7.80	6.15	3.80	2.60
				1	550	20.20	13.80		21.70	15.70				3.40	
YH2F24TB21S	YPLC080B12MP13C	21.0	XAH/XAHC30C	2	825	23.20	17.00	15.20	11.00	22.20	14.30	7.80	6.15	3.80	2.60
				1	550	20.20	13.80		21.70	15.70				3.40	
YH2F24TB21S	TM8E100C16MP11	21.0	XAH/XAHC30C	2	900	23.80	18.10	15.20	11.70	22.40	14.40	8.10	5.90	3.96	2.66
				1	700	21.00	15.40		22.45	16.00				3.66	
YH2F24TB21S	TMLE100C16MP11	21.0	XAH/XAHC30C	2	900	23.80	18.10	15.20	11.70	22.40	14.40	8.10	5.90	3.96	2.66
				1	700	21.00	15.40		22.45	16.00				3.66	
YH2F24TB21S	TM8E100C16MP11	21.0	XAF/XAFC30C	2	925	24.00	19.10	16.00	11.70	22.40	14.00	8.10	6.35	3.94	2.62
				1	725	21.40	15.50		22.60	16.30				3.82	
YH2F24TB21S	TMLE100C16MP11	21.0	XAF/XAFC30C	2	925	24.00	19.10	16.00	11.70	22.40	14.00	8.10	6.35	3.94	2.62
				1	725	21.40	15.50		22.60	16.30				3.82	
YH2F24TB21S	TM8E100B12MP11	21.0	XAH/XAHC30C	2	750	23.20	16.60	15.20	11.70	22.00	14.00	7.80	6.10	3.80	2.62
				1	600	20.40	14.30		21.75	15.80				3.46	
YH2F24TB21S	TMLE100B12MP11	21.0	XAH/XAHC30C	2	750	23.20	16.60	15.20	11.70	22.00	14.00	7.80	6.10	3.80	2.62
				1	600	20.40	14.30		21.75	15.80				3.46	
YH2F24TB21S	TM9Y080B12MP11	17.5	XAF/XAF/XAUB36D	2	850	23.60	17.20	15.20	11.50	22.20	13.50	7.80	6.10	3.96	2.58
				1	650	20.60	14.40		21.30	16.00				3.84	
YH2F24TB21S	TM9Y060B12MP11	17.5	XAF/XAF/XAUB36D	2	800	23.40	16.70	14.30	11.00	22.00	13.50	7.80	6.10	3.88	2.56
				1	625	20.40	14.10		20.95	16.00				3.76	
YH2F24TB21S	TM9E100C16MP12	21.0	XAH/XAHC36D	2	875	24.00	18.70	15.20	11.70	21.20	13.80	7.80	6.10	3.86	2.68
				1	675	21.00	15.60		22.15	15.80				3.78	
YH2F24TB21S	TM9E026A08MP12	17.5	XAH/XAHB36D	2	725	23.00	16.70	15.20	11.00	21.20	13.80	7.50	5.90	3.62	2.56
				1	475	19.70	13.10		21.60	15.20				3.44	
YH2F24TB21S	TM8Y060A12MP11	14.5	XAF/XAFA30D	2	950	23.80	17.90	15.20	11.00	22.80	13.70	7.50	5.85	3.94	2.50
				1	675	20.80	14.70		21.30	16.10				3.86	
YH2F24TB21S	TM8V080B12MP12C	21.0	XAF/XAFC36D	2	825	23.40	16.90	14.30	11.00	22.20	13.50	7.80	6.10	3.92	2.56
				1	550	19.60	13.10		20.55	15.70				3.68	
YH2F24TB21S	TPLC080B12MP13C	21.0	XAF/XAFC36D	2	825	23.40	16.90	14.30	11.00	22.20	13.50	7.80	6.10	3.92	2.56
				1	550	19.60	13.10		20.55	15.70				3.68	
YH2F24TB21S	YPLC080B12MP13C	21.0	XAF/XAFC36D	2	825	23.40	16.90	14.30	11.00	22.20	13.50	7.80	6.10	3.92	2.56
				1	550	19.60	13.10		20.55	15.70				3.68	
YH2F24TB21S	TM8E100B12MP11	17.5	XAH/XAHB36D	2	900	23.80	18.70	15.20	11.50	21.40	14.00	7.80	6.10	3.80	2.64
				1	650	20.80	15.30		22.35	15.70				3.74	

Table 9: Furnace capacity - 2 ton

Outdoor unit model	Furnace model	Furnace width (in.)	Indoor coil model	Stage	Rated CFM	Net cool (MBH)	Sens cool (MBH)	SEER2	EER2	Net47 (MBH)	Net17 (MBH)	HSPF2 IV	HSPF2 V	Cop47	Cop17
YH2F24TB21S	TMLE100B12MP11	17.5	XAH/XAHB36D	2	900	23.80	18.70	15.20	11.50	21.40	14.00	7.80	6.10	3.80	2.64
				1	650	20.80	15.30		22.35	15.70				3.74	
YH2F24TB21S	TM8E080B12MP11	17.5	XAF/XAF/XAUB36D	2	875	23.80	17.60	15.20	11.70	22.20	13.50	7.80	6.05	4.00	2.58
				1	650	20.60	14.40		21.30	16.00				3.84	
YH2F24TB21S	TMLE080B12MP11	17.5	XAF/XAF/XAUB36D	2	875	23.80	17.60	15.20	11.70	22.20	13.50	7.80	6.05	4.00	2.58
				1	650	20.60	14.40		21.30	16.00				3.84	
YH2F24TB21S	TM8E060A12MP11	14.5	XAF/XAFA30D	2	850	23.60	17.20	15.20	11.00	22.20	13.50	7.80	6.10	3.96	2.56
				1	700	21.00	14.90		21.05	16.30				3.86	
YH2F24TB21S	TMLE060A12MP11	14.5	XAF/XAFA30D	2	850	23.60	17.20	15.20	11.00	22.20	13.50	7.80	6.10	3.96	2.56
				1	700	21.00	14.90		21.05	16.30				3.86	
YH2F24TB21S	TL9E060B12UH11	17.5	XAF/XAF/XAUB36D	2	900	23.60	17.50	15.20	11.00	22.60	13.60	7.80	6.10	3.94	2.54
				1	650	20.60	14.40		21.25	16.00				3.82	
YH2F24TB21S	TM9Y100C16MP11	21.0	XAF/XAFC30C	2	775	23.40	17.50	15.20	11.70	22.00	13.90	7.80	6.15	3.80	2.58
				1	550	20.40	13.70		21.95	15.90				3.50	
YH2F24TB21S	TM9Y080C16MP11	21.0	XAF/XAFC30C	2	775	23.40	17.50	16.00	11.70	22.00	13.90	7.80	6.15	3.78	2.58
				1	575	20.60	14.00		22.50	16.00				3.56	
YH2F24TB21S	TM9Y080B12MP11	17.5	XAF/XAF/XAUB30C	2	875	23.60	18.40	15.20	11.70	22.40	14.10	7.80	6.10	3.84	2.58
				1	675	21.20	15.10		22.25	16.20				3.70	
YH2F24TB21S	TM9V080B12MP12C	21.0	XAH/XAHC30C	2	825	23.40	17.20	15.20	11.70	22.20	14.20	7.80	6.10	3.86	2.64
				1	575	20.40	14.10		22.05	15.70				3.46	
YH2F24TB21S	TP9C080B12MP13C	21.0	XAH/XAHC30C	2	825	23.40	17.20	15.20	11.70	22.20	14.20	7.80	6.10	3.86	2.64
				1	575	20.40	14.10		22.05	15.70				3.46	
YH2F24TB21S	YP9C080B12MP13C	21.0	XAH/XAHC30C	2	825	23.40	17.20	15.20	11.70	22.20	14.20	7.80	6.10	3.86	2.64
				1	575	20.40	14.10		22.05	15.70				3.46	
YH2F24TB21S	TM9V060B12MP12C	21.0	XAH/XAHC30C	2	875	23.40	17.50	15.20	11.00	22.60	14.50	7.80	6.10	3.84	2.60
				1	575	20.40	14.10		21.90	15.70				3.44	
YH2F24TB21S	TP9C060B12MP13C	21.0	XAH/XAHC30C	2	875	23.40	17.50	15.20	11.00	22.60	14.50	7.80	6.10	3.84	2.60
				1	575	20.40	14.10		21.90	15.70				3.44	
YH2F24TB21S	YP9C060B12MP13C	21.0	XAH/XAHC30C	2	875	23.40	17.50	15.20	11.00	22.60	14.50	7.80	6.10	3.84	2.60
				1	575	20.40	14.10		21.90	15.70				3.44	
YH2F24TB21S	TM9V060B12MP12C	17.5	XAF/XAF/XAUB30C	2	800	23.40	17.70	15.20	11.50	22.20	14.00	7.50	5.85	3.78	2.56
				1	525	20.20	13.40		21.85	15.90				3.46	
YH2F24TB21S	TP9C060B12MP13C	17.5	XAF/XAF/XAUB30C	2	800	23.40	17.70	15.20	11.50	22.20	14.00	7.50	5.85	3.78	2.56
				1	525	20.20	13.40		21.85	15.90				3.46	
YH2F24TB21S	YP9C060B12MP13C	17.5	XAF/XAF/XAUB30C	2	800	23.40	17.70	15.20	11.50	22.20	14.00	7.50	5.85	3.78	2.56
				1	525	20.20	13.40		21.85	15.90				3.46	
YH2F24TB21S	TM9E080C16MP12	21.0	XAH/XAHC30C	2	925	23.80	18.20	15.20	11.70	22.40	14.40	8.10	5.90	3.98	2.68
				1	675	21.00	15.30		22.45	15.90				3.62	
YH2F24TB21S	TM9E080B12MP12	21.0	XAH/XAHC30C	2	925	23.80	18.20	15.20	11.00	22.60	14.50	8.10	6.00	3.92	2.64
				1	725	21.20	15.70		21.95	16.10				3.66	
YH2F24TB21S	TM9E080B12MP12	21.0	XAF/XAFC30C	2	925	23.80	18.90	15.20	11.50	22.60	14.20	7.80	6.10	3.88	2.58
				1	725	21.40	15.50		21.90	16.40				3.76	
YH2F24TB21S	TM9E060B12MP12	17.5	XAF/XAF/XAUB30C	2	825	23.40	17.80	15.20	11.70	22.20	14.10	7.80	6.15	3.78	2.56
				1	675	21.00	14.90		21.50	16.30				3.66	
YH2F24TB21S	TM8E120C16MP11	21.0	XAF/XAFC30C	2	925	24.00	19.10	16.00	11.70	22.40	14.00	8.10	6.35	3.94	2.62
				1	725	21.40	15.50		22.55	16.30				3.82	
YH2F24TB21S	TMLE120C16MP11	21.0	XAF/XAFC30C	2	925	24.00	19.10	16.00	11.70	22.40	14.00	8.10	6.35	3.94	2.62
				1	725	21.40	15.50		22.55	16.30				3.82	
YH2F24TB21S	TM8E080C16MP11	21.0	XAH/XAHC30C	2	875	23.60	17.70	15.20	11.70	22.40	14.30	8.10	5.90	3.92	2.66
				1	725	21.20	15.70		22.40	16.10				3.70	
YH2F24TB21S	TMLE080C16MP11	21.0	XAH/XAHC30C	2	875	23.60	17.70	15.20	11.70	22.40	14.30	8.10	5.90	3.92	2.66
				1	725	21.20	15.70		22.40	16.10				3.70	
YH2F24TB21S	TM8E080B12MP11	21.0	XAH/XAHC30C	2	900	23.80	18.10	15.20	11.70	22.40	14.40	7.80	5.90	3.92	2.66
				1	675	20.80	15.10		22.20	15.90				3.60	
YH2F24TB21S	TMLE080B12MP11	21.0	XAH/XAHC30C	2	900	23.80	18.10	15.20	11.70	22.40	14.40	7.80	5.90	3.92	2.66
				1	675	20.80	15.10		22.20	15.90				3.60	
YH2F24TB21S	TM8E080B12MP11	17.5	XAF/XAF/XAUB30C	2	900	23.80	18.70	15.20	11.70	22.40	14.10	7.80	6.10	3.88	2.58
				1	675	21.20	15.10		22.20	16.20				3.70	
YH2F24TB21S	TMLE080B12MP11	17.5	XAF/XAF/XAUB30C	2	900	23.80	18.70	15.20	11.70	22.40	14.10	7.80	6.10	3.88	2.58
				1	675	21.20	15.10		22.20	16.20				3.70	

Table 9: Furnace capacity - 2 ton

Outdoor unit model	Furnace model	Furnace width (in.)	Indoor coil model	Stage	Rated CFM	Net cool (MBH)	Sens cool (MBH)	SEER2	EER2	Net47 (MBH)	Net17 (MBH)	HSPF2 IV	HSPF2 V	Cop47	Cop17
YH2F24TB21S	TM8E060A12MP11	17.5	XAF/XAF/XAUB30C	2	900	23.80	18.70	16.00	11.70	22.40	14.10	7.80	6.10	3.88	2.60
				1	700	21.20	15.20		22.25	16.30				3.74	
YH2F24TB21S	TMLE060A12MP11	17.5	XAF/XAF/XAUB30C	2	900	23.80	18.70	16.00	11.70	22.40	14.10	7.80	6.10	3.88	2.60
				1	700	21.20	15.20		22.25	16.30				3.74	
YH2F24TB21S	TL9E080C16UH11	21.0	XAF/XAFC30C	2	950	24.00	19.20	15.20	11.70	22.40	14.10	8.10	6.35	3.94	2.62
				1	800	21.80	16.30		21.80	16.60				3.88	
YH2F24TB21S	TL8E080C16UH11	21.0	XAF/XAFC30C	2	925	24.00	19.10	15.20	11.70	22.40	14.00	8.10	6.35	3.92	2.60
				1	800	21.80	16.30		21.70	16.60				3.86	
YH2F24TB21S	TM9Y080B12MP11	17.5	XAH/XAHC36D	2	825	23.60	18.00	15.20	11.50	21.20	13.90	7.80	6.10	3.76	2.64
				1	625	20.60	14.90		21.85	15.70				3.66	
YH2F24TB21S	TM9Y060B12MP11	21.0	XAH/XAHC36D	2	800	23.40	17.60	15.20	11.00	21.20	13.80	7.50	5.85	3.74	2.62
				1	600	20.40	14.60		21.65	15.60				3.62	
YH2F24TB21S	TM9Y040A10MP11	17.5	XAH/XAHC36D	2	675	22.80	16.10	15.20	11.00	21.00	13.70	7.50	5.95	3.60	2.54
				1	475	19.70	13.10		21.15	15.30				3.40	
YH2F24TB21S	TM9Y040A10MP11	14.5	XAF/XAFA30D	2	650	22.60	15.10	14.30	11.00	21.60	13.70	7.50	5.90	3.66	2.52
				1	475	18.90	12.20		19.55	15.60				3.50	
YH2F24TB21S	TM9V080B12MP12C	21.0	XAF/XAFC36D	2	825	23.60	17.10	15.20	11.70	22.00	13.40	7.80	6.05	4.00	2.60
				1	575	19.90	13.50		20.95	15.70				3.74	
YH2F24TB21S	TP9C080B12MP13C	21.0	XAF/XAFC36D	2	825	23.60	17.10	15.20	11.70	22.00	13.40	7.80	6.05	4.00	2.60
				1	575	19.90	13.50		20.95	15.70				3.74	
YH2F24TB21S	YP9C080B12MP13C	21.0	XAF/XAFC36D	2	825	23.60	17.10	15.20	11.70	22.00	13.40	7.80	6.05	4.00	2.60
				1	575	19.90	13.50		20.95	15.70				3.74	
YH2F24TB21S	TM9V060B12MP12C	17.5	XAH/XAHC36D	2	800	23.40	17.60	15.20	11.00	21.20	13.80	7.50	5.85	3.74	2.62
				1	525	20.00	13.70		21.65	15.30				3.54	
YH2F24TB21S	TP9C060B12MP13C	17.5	XAH/XAHC36D	2	800	23.40	17.60	15.20	11.00	21.20	13.80	7.50	5.85	3.74	2.62
				1	525	20.00	13.70		21.65	15.30				3.54	
YH2F24TB21S	YP9C060B12MP13C	17.5	XAH/XAHC36D	2	800	23.40	17.60	15.20	11.00	21.20	13.80	7.50	5.85	3.74	2.62
				1	525	20.00	13.70		21.65	15.30				3.54	
YH2F24TB21S	TM9V040A10MP12C	17.5	XAF/XAF/XAUB36D	2	875	23.40	17.20	14.30	10.50	22.60	13.80	7.50	5.85	3.84	2.50
				1	575	19.80	13.40		20.30	15.80				3.68	
YH2F24TB21S	TM9E060B12MP12	21.0	XAH/XAHC36D	2	950	24.00	19.30	15.20	11.00	21.60	14.30	7.80	6.15	3.78	2.62
				1	675	20.80	15.40		21.85	15.80				3.74	
YH2F24TB21S	TM9E060A10MP12	17.5	XAF/XAF/XAUB36D	2	925	23.80	17.90	14.30	11.00	22.60	13.70	7.50	5.85	3.94	2.52
				1	650	20.60	14.40		21.05	16.10				3.80	
YH2F24TB21S	TM9E026A08MP12	14.5	XAF/XAFA30D	2	725	23.00	15.90	14.30	11.00	22.00	13.70	7.50	5.85	3.74	2.52
				1	550	19.60	13.10		20.10	15.80				3.62	
YH2F24TB21S	TM8V080B12MP12C	21.0	XAH/XAHC36D	2	825	23.40	17.80	15.20	11.00	21.20	13.90	7.50	5.85	3.76	2.64
				1	550	20.20	14.10		21.70	15.40				3.56	
YH2F24TB21S	TPLC080B12MP13C	21.0	XAH/XAHC36D	2	825	23.40	17.80	15.20	11.00	21.20	13.90	7.50	5.85	3.76	2.64
				1	550	20.20	14.10		21.70	15.40				3.56	
YH2F24TB21S	YPLC080B12MP13C	21.0	XAH/XAHC36D	2	825	23.40	17.80	15.20	11.00	21.20	13.90	7.50	5.85	3.76	2.64
				1	550	20.20	14.10		21.70	15.40				3.56	
YH2F24TB21S	TM8E100C16MP11	21.0	XAH/XAHC36D	2	875	23.80	18.50	16.00	11.70	21.20	13.90	7.80	6.10	3.84	2.68
				1	700	21.20	16.00		22.50	15.80				3.82	
YH2F24TB21S	TMLE100C16MP11	21.0	XAH/XAHC36D	2	875	23.80	18.50	16.00	11.70	21.20	13.90	7.80	6.10	3.84	2.68
				1	700	21.20	16.00		22.50	15.80				3.82	
YH2F24TB21S	TM8E060A12MP11	17.5	XAH/XAHC36D	2	850	23.60	18.10	15.20	11.70	21.20	13.90	7.80	6.10	3.80	2.66
				1	675	21.00	15.60		22.00	15.80				3.76	
YH2F24TB21S	TMLE060A12MP11	17.5	XAH/XAHC36D	2	850	23.60	18.10	15.20	11.70	21.20	13.90	7.80	6.10	3.80	2.66
				1	675	21.00	15.60		22.00	15.80				3.76	
YH2F24TB21S	TL9E060B12UH11	21.0	XAH/XAHC36D	2	900	23.80	18.70	15.20	11.00	21.40	14.10	7.80	6.10	3.76	2.62
				1	650	20.80	15.30		22.10	15.70				3.72	
YH2F24TB21S	TM9Y060B12MP11	21.0	XAH/XAHC30C	2	825	23.40	17.20	15.20	11.00	22.20	14.30	7.80	6.10	3.80	2.60
				1	625	20.60	14.60		21.85	15.90				3.50	
YH2F24TB21S	TM9Y060B12MP11	17.5	XAF/XAF/XAUB30C	2	825	23.40	17.80	15.20	11.00	22.20	14.10	7.50	5.85	3.78	2.56
				1	625	20.80	14.50		21.80	16.20				3.60	
YH2F24TB21S	TM9Y040A10MP11	17.5	XAH/XAHC30C	2	675	22.60	15.50	14.30	10.50	22.00	14.20	7.50	5.95	3.58	2.50
				1	500	19.80	13.10		21.30	15.60				3.28	
YH2F24TB21S	TM9E100C16MP12	21.0	XAF/XAFC30C	2	900	23.80	18.70	16.00	11.70	22.40	14.00	8.10	6.35	3.92	2.60
				1	700	21.20	15.20		22.30	16.30				3.76	

Table 9: Furnace capacity - 2 ton

Outdoor unit model	Furnace model	Furnace width (in.)	Indoor coil model	Stage	Rated CFM	Net cool (MBH)	Sens cool (MBH)	SEER2	EER2	Net47 (MBH)	Net17 (MBH)	HSPF2 IV	HSPF2 V	Cop47	Cop17
YH2F24TB21S	TM9E080B12MP12	17.5	XAH/XAHB30C	2	775	23.20	16.70	15.20	11.50	22.20	14.10	7.80	6.15	3.78	2.60
				1	675	20.80	15.10							21.30	16.10
YH2F24TB21S	TM9E060B12MP12	21.0	XAF/XAFC30C	2	825	23.40	17.80	15.20	11.50	22.20	14.10	7.80	6.15	3.78	2.56
				1	675	21.00	14.90							21.50	16.30
YH2F24TB21S	TM9E040A10MP12	17.5	XAF/XAF/XAUB30C	2	750	23.00	17.00	15.20	11.00	22.20	14.10	7.50	5.90	3.66	2.52
				1	575	20.40	13.80							21.35	16.10
YH2F24TB21S	TM8Y060A12MP11	17.5	XAF/XAF/XAUB30C	2	800	23.40	17.70	15.20	11.70	22.20	14.00	7.80	6.10	3.80	2.58
				1	625	20.80	14.50							22.20	16.10
YH2F24TB21S	TM8V060A12MP12C	17.5	XAF/XAF/XAUB30C	2	875	23.80	18.60	16.00	11.70	22.20	14.00	7.80	6.10	3.88	2.60
				1	625	20.80	14.50							22.30	16.10
YH2F24TB21S	TMLV060A12MP12C	17.5	XAF/XAF/XAUB30C	2	875	23.80	18.60	16.00	11.70	22.20	14.00	7.80	6.10	3.88	2.60
				1	625	20.80	14.50							22.30	16.10
YH2F24TB21S	TPLC060A12MP13C	17.5	XAF/XAF/XAUB30C	2	875	23.80	18.60	16.00	11.70	22.20	14.00	7.80	6.10	3.88	2.60
				1	625	20.80	14.50							22.30	16.10
YH2F24TB21S	TM8E100B12MP11	17.5	XAF/XAF/XAUB30C	2	950	24.00	19.20	16.00	11.70	22.60	14.10	7.80	6.10	3.92	2.60
				1	675	21.20	15.10							22.55	16.20
YH2F24TB21S	TMLE100B12MP11	17.5	XAF/XAF/XAUB30C	2	950	24.00	19.20	16.00	11.70	22.60	14.10	7.80	6.10	3.92	2.60
				1	675	21.20	15.10							22.55	16.20
YH2F24TB21S	TM8E080B12MP11	17.5	XAH/XAHB30C	2	875	23.60	17.70	15.20	11.50	22.40	14.40	8.10	6.40	3.88	2.64
				1	650	20.80	14.90							22.00	15.90
YH2F24TB21S	TMLE080B12MP11	17.5	XAH/XAHB30C	2	875	23.60	17.70	15.20	11.50	22.40	14.40	8.10	6.40	3.88	2.64
				1	650	20.80	14.90							22.00	15.90
YH2F24TB21S	TL9E080C16UH11	21.0	XAH/XAHC30C	2	925	23.80	18.20	15.20	11.70	22.40	14.40	7.80	5.40	3.96	2.66
				1	800	21.60	16.50							21.85	16.30
YH2F24TB21S	TL8E060A12UH11	17.5	XAF/XAF/XAUB30C	2	925	23.80	18.90	16.00	11.70	22.40	14.10	7.80	6.10	3.88	2.58
				1	625	20.80	14.50							22.65	16.10
YH2F24TB21S	TM9Y100C16MP11	21.0	XAH/XAHC36D	2	950	24.00	19.40	15.20	11.50	21.40	14.10	7.80	6.05	3.88	2.68
				1	550	20.20	14.10							22.35	15.30
YH2F24TB21S	TM9Y080B12MP11	21.0	XAH/XAHC36D	2	750	23.40	17.30	15.20	11.70	21.00	13.60	7.80	6.10	3.76	2.64
				1	625	20.60	14.90							21.75	15.70
YH2F24TB21S	TM9V040A10MP12C	14.5	XAF/XAFA30D	2	775	23.00	16.20	14.30	10.50	22.20	13.70	7.50	5.85	3.80	2.52
				1	500	19.10	12.50							19.80	15.60
YH2F24TB21S	TM9E100C16MP12	21.0	XAF/XAFC36D	2	875	23.80	17.60	15.20	11.70	22.20	13.40	7.80	6.05	4.04	2.60
				1	675	20.80	14.70							21.50	16.10
YH2F24TB21S	TM9E080C16MP12	21.0	XAH/XAHC36D	2	900	24.00	18.90	15.20	11.70	21.20	13.90	7.80	6.10	3.86	2.68
				1	650	20.80	15.30							22.35	15.70
YH2F24TB21S	TM9E080B12MP12	17.5	XAH/XAHB36D	2	875	23.80	18.50	15.20	11.00	21.40	14.00	7.80	6.10	3.78	2.64
				1	675	20.80	15.40							21.55	15.90
YH2F24TB21S	TM9E060B12MP12	17.5	XAH/XAHB36D	2	925	23.80	18.90	15.20	11.00	21.60	14.30	7.80	6.10	3.74	2.60
				1	650	20.80	15.30							21.50	15.80
YH2F24TB21S	TM9E040A10MP12	17.5	XAH/XAHB36D	2	850	23.40	17.90	15.20	11.00	21.60	14.20	7.50	5.90	3.62	2.54
				1	600	20.40	14.60							21.65	15.60
YH2F24TB21S	TM9E040A10MP12	14.5	XAF/XAFA30D	2	825	23.20	16.70	14.30	10.50	22.40	13.90	7.50	5.90	3.76	2.46
				1	600	20.00	13.70							20.55	15.90
YH2F24TB21S	TM8Y060A12MP11	17.5	XAF/XAF/XAUB36D	2	775	23.40	16.60	15.20	11.70	21.80	13.50	7.80	6.10	3.90	2.60
				1	600	20.20	13.90							21.05	15.90
YH2F24TB21S	TM8V080B12MP12C	17.5	XAH/XAHB36D	2	825	23.40	17.80	15.20	11.00	21.20	13.90	7.50	5.85	3.72	2.62
				1	550	20.20	14.10							21.60	15.40
YH2F24TB21S	TPLC080B12MP13C	17.5	XAH/XAHB36D	2	825	23.40	17.80	15.20	11.00	21.20	13.90	7.50	5.85	3.72	2.62
				1	550	20.20	14.10							21.60	15.40
YH2F24TB21S	YPLC080B12MP13C	17.5	XAH/XAHB36D	2	825	23.40	17.80	15.20	11.00	21.20	13.90	7.50	5.85	3.72	2.62
				1	550	20.20	14.10							21.60	15.40
YH2F24TB21S	TM8E040A12MP11	17.5	XAF/XAF/XAUB36D	2	725	23.20	16.10	15.20	11.70	21.60	13.30	7.80	6.10	3.92	2.62
				1	575	19.90	13.50							20.80	15.80
YH2F24TB21S	TMLE040A12MP11	17.5	XAF/XAF/XAUB36D	2	725	23.20	16.10	15.20	11.70	21.60	13.30	7.80	6.10	3.92	2.62
				1	575	19.90	13.50							20.80	15.80
YH2F24TB21S	TL9E060B12UH11	21.0	XAF/XAFC36D	2	925	23.80	17.90	15.20	11.00	22.60	13.60	7.80	6.10	3.98	2.54
				1	650	20.60	14.40							21.30	16.00
YH2F24TB21S	TM9Y080B12MP11	21.0	XAF/XAFC30C	2	875	23.60	18.40	15.20	11.70	22.40	14.10	7.80	6.10	3.84	2.58
				1	675	21.20	15.10							22.25	16.20

Table 9: Furnace capacity - 2 ton

Outdoor unit model	Furnace model	Furnace width (in.)	Indoor coil model	Stage	Rated CFM	Net cool (MBH)	Sens cool (MBH)	SEER2	EER2	Net47 (MBH)	Net17 (MBH)	HSPF2 IV	HSPF2 V	Cop47	Cop17
YH2F24TB21S	TM9Y060B12MP11	17.5	XAH/XAHB30C	2	800	23.20	16.90	15.20	11.00	22.20	14.30	7.80	6.15	3.76	2.58
				1	625	20.60	14.60		21.80	15.90				3.50	
YH2F24TB21S	TM9Y060B12MP11	21.0	XAF/XAFC30C	2	825	23.40	17.80	15.20	11.50	22.20	14.10	7.50	5.85	3.78	2.56
				1	625	20.80	14.50		21.80	16.20				3.60	
YH2F24TB21S	TM9E080C16MP12	21.0	XAF/XAFC30C	2	925	23.80	18.90	16.00	11.70	22.40	14.10	7.80	6.10	3.92	2.60
				1	675	21.20	15.10		22.40	16.20				3.72	
YH2F24TB21S	TM9E080B12MP12	17.5	XAF/XAF/XAUB30C	2	925	23.80	18.90	15.20	11.50	22.60	14.20	7.80	6.10	3.88	2.58
				1	725	21.40	15.50		21.90	16.40				3.76	
YH2F24TB21S	TM9E060B12MP12	21.0	XAH/XAHC30C	2	800	23.20	16.90	15.20	11.00	22.20	14.30	7.80	6.15	3.78	2.60
				1	650	20.60	14.70		21.35	16.00				3.50	
YH2F24TB21S	TM9E060B12MP12	17.5	XAH/XAHB30C	2	800	23.20	16.90	15.20	11.00	22.20	14.30	7.80	6.15	3.78	2.60
				1	650	20.60	14.70		21.30	16.00				3.50	
YH2F24TB21S	TM8V080B12MP12C	21.0	XAF/XAFC30C	2	825	23.40	17.80	15.20	11.00	22.20	14.10	7.50	5.85	3.78	2.56
				1	550	20.40	13.70		21.80	16.00				3.50	
YH2F24TB21S	TPLC080B12MP13C	21.0	XAF/XAFC30C	2	825	23.40	17.80	15.20	11.00	22.20	14.10	7.50	5.85	3.78	2.56
				1	550	20.40	13.70		21.80	16.00				3.50	
YH2F24TB21S	YPLC080B12MP13C	21.0	XAF/XAFC30C	2	825	23.40	17.80	15.20	11.00	22.20	14.10	7.50	5.85	3.78	2.56
				1	550	20.40	13.70		21.80	16.00				3.50	
YH2F24TB21S	TM8V080B12MP12C	17.5	XAF/XAF/XAUB30C	2	825	23.40	17.80	15.20	11.00	22.20	14.10	7.50	5.85	3.78	2.56
				1	550	20.40	13.70		21.80	16.00				3.50	
YH2F24TB21S	TPLC080B12MP13C	17.5	XAF/XAF/XAUB30C	2	825	23.40	17.80	15.20	11.00	22.20	14.10	7.50	5.85	3.78	2.56
				1	550	20.40	13.70		21.80	16.00				3.50	
YH2F24TB21S	YPLC080B12MP13C	17.5	XAF/XAF/XAUB30C	2	825	23.40	17.80	15.20	11.00	22.20	14.10	7.50	5.85	3.78	2.56
				1	550	20.40	13.70		21.80	16.00				3.50	
YH2F24TB21S	TM8E100B12MP11	21.0	XAF/XAFC30C	2	750	23.20	17.20	15.20	11.70	22.00	13.90	7.80	6.10	3.78	2.58
				1	625	20.80	14.50		21.90	16.20				3.60	
YH2F24TB21S	TMLE100B12MP11	21.0	XAF/XAFC30C	2	750	23.20	17.20	15.20	11.70	22.00	13.90	7.80	6.10	3.78	2.58
				1	625	20.80	14.50		21.90	16.20				3.60	
YH2F24TB21S	TM8E060A12MP11	17.5	XAH/XAHB30C	2	875	23.60	17.70	15.20	11.70	22.60	14.40	7.80	5.85	3.88	2.64
				1	675	20.80	15.10		22.00	16.00				3.58	
YH2F24TB21S	TMLE060A12MP11	17.5	XAH/XAHB30C	2	875	23.60	17.70	15.20	11.70	22.60	14.40	7.80	5.85	3.88	2.64
				1	675	20.80	15.10		22.00	16.00				3.58	
YH2F24TB21S	TL9E060B12UH11	17.5	XAF/XAF/XAUB30C	2	925	23.60	18.70	15.20	11.00	22.60	14.30	7.80	6.15	3.82	2.54
				1	625	20.80	14.50		22.25	16.10				3.62	
YH2F24TB21S	TL8E080C16UH11	21.0	XAH/XAHC30C	2	925	23.80	18.20	15.20	11.70	22.40	14.40	8.10	5.70	3.98	2.68
				1	800	21.60	16.50		21.80	16.30				3.76	
YH2F24TB21S	TL8E060A12UH11	17.5	XAH/XAHB30C	2	700	23.00	16.00	15.20	11.70	22.00	13.90	7.80	6.15	3.74	2.60
				1	575	20.20	13.90		21.85	15.70				3.42	
YH2F24TB21S	TM9Y060B12MP11	21.0	XAF/XAFC36D	2	825	23.40	16.90	15.20	11.00	22.20	13.50	7.80	6.10	3.92	2.56
				1	625	20.40	14.10		21.00	16.00				3.78	
YH2F24TB21S	TM9V080B12MP12C	21.0	XAH/XAHC36D	2	825	23.60	18.00	15.20	11.70	21.00	13.70	7.80	6.10	3.82	2.68
				1	575	20.40	14.40		22.05	15.40				3.62	
YH2F24TB21S	TP9C080B12MP13C	21.0	XAH/XAHC36D	2	825	23.60	18.00	15.20	11.70	21.00	13.70	7.80	6.10	3.82	2.68
				1	575	20.40	14.40		22.05	15.40				3.62	
YH2F24TB21S	YP9C080B12MP13C	21.0	XAH/XAHC36D	2	825	23.60	18.00	15.20	11.70	21.00	13.70	7.80	6.10	3.82	2.68
				1	575	20.40	14.40		22.05	15.40				3.62	
YH2F24TB21S	TM9V080B12MP12C	17.5	XAF/XAF/XAUB36D	2	875	23.80	17.60	15.20	11.00	22.20	13.40	7.80	6.05	4.02	2.58
				1	625	20.40	14.10		21.15	15.90				3.82	
YH2F24TB21S	TP9C080B12MP13C	17.5	XAF/XAF/XAUB36D	2	875	23.80	17.60	15.20	11.00	22.20	13.40	7.80	6.05	4.02	2.58
				1	625	20.40	14.10		21.15	15.90				3.82	
YH2F24TB21S	YP9C080B12MP13C	17.5	XAF/XAF/XAUB36D	2	875	23.80	17.60	15.20	11.00	22.20	13.40	7.80	6.05	4.02	2.58
				1	625	20.40	14.10		21.15	15.90				3.82	
YH2F24TB21S	TM9V040A10MP12C	17.5	XAH/XAHB36D	2	800	23.20	17.40	15.20	10.50	21.20	14.00	7.50	5.90	3.66	2.58
				1	500	19.80	13.40		21.25	15.30				3.46	
YH2F24TB21S	TM9E080C16MP12	21.0	XAF/XAFC36D	2	925	24.00	18.00	15.20	11.70	22.40	13.40	7.80	6.05	4.08	2.60
				1	675	20.80	14.70		21.85	16.00				3.90	
YH2F24TB21S	TM8V080B12MP12C	17.5	XAF/XAF/XAUB36D	2	825	23.40	16.90	14.30	11.00	22.20	13.50	7.50	5.85	3.92	2.56
				1	550	19.60	13.10		20.50	15.70				3.68	
YH2F24TB21S	TPLC080B12MP13C	17.5	XAF/XAF/XAUB36D	2	825	23.40	16.90	14.30	11.00	22.20	13.50	7.50	5.85	3.92	2.56
				1	550	19.60	13.10		20.50	15.70				3.68	

Table 9: Furnace capacity - 2 ton

Outdoor unit model	Furnace model	Furnace width (in.)	Indoor coil model	Stage	Rated CFM	Net cool (MBH)	Sens cool (MBH)	SEER2	EER2	Net47 (MBH)	Net17 (MBH)	HSPF2 IV	HSPF2 V	Cop47	Cop17
YH2F24TB21S	YPLC080B12MP13C	17.5	XAF/XAF/XAUB36D	2	825	23.40	16.90	14.30	11.00	22.20	13.50	7.50	5.85	3.92	2.56
				1	550	19.60	13.10		20.50	15.70				3.68	
YH2F24TB21S	TM8E120C16MP11	21.0	XAF/XAFC36D	2	900	24.00	17.90	15.20	11.70	22.40	13.40	7.80	6.05	4.08	2.60
				1	700	21.00	14.90		21.90	16.10				3.94	
YH2F24TB21S	TMLE120C16MP11	21.0	XAF/XAFC36D	2	900	24.00	17.90	15.20	11.70	22.40	13.40	7.80	6.05	4.08	2.60
				1	700	21.00	14.90		21.90	16.10				3.94	
YH2F24TB21S	TM8E100B12MP11	17.5	XAF/XAF/XAUB36D	2	925	24.00	18.00	15.20	11.00	22.60	13.50	7.80	6.05	4.04	2.56
				1	650	20.60	14.40		21.60	16.00				3.86	
YH2F24TB21S	TMLE100B12MP11	17.5	XAF/XAF/XAUB36D	2	925	24.00	18.00	15.20	11.00	22.60	13.50	7.80	6.05	4.04	2.56
				1	650	20.60	14.40		21.60	16.00				3.86	
YH2F24TB21S	TM8E080C16MP11	21.0	XAF/XAFC36D	2	875	23.80	17.60	15.20	11.70	22.20	13.40	7.80	6.05	4.04	2.60
				1	700	21.00	14.90		21.75	16.20				3.92	
YH2F24TB21S	TMLE080C16MP11	21.0	XAF/XAFC36D	2	875	23.80	17.60	15.20	11.70	22.20	13.40	7.80	6.05	4.04	2.60
				1	700	21.00	14.90		21.75	16.20				3.92	
YH2F24TB21S	TM8E060A12MP11	17.5	XAF/XAF/XAUB36D	2	875	23.80	17.60	15.20	11.70	22.20	13.40	7.80	6.05	4.00	2.58
				1	675	20.80	14.70		21.40	16.10				3.86	
YH2F24TB21S	TMLE060A12MP11	17.5	XAF/XAF/XAUB36D	2	875	23.80	17.60	15.20	11.70	22.20	13.40	7.80	6.05	4.00	2.58
				1	675	20.80	14.70		21.40	16.10				3.86	
YH2F24TB21S	TM8E040A12MP11	17.5	XAH/XAHB36D	2	825	23.60	18.00	15.20	11.70	21.20	13.90	7.80	6.10	3.76	2.64
				1	600	20.60	14.80		22.20	15.50				3.66	
YH2F24TB21S	TMLE040A12MP11	17.5	XAH/XAHB36D	2	825	23.60	18.00	15.20	11.70	21.20	13.90	7.80	6.10	3.76	2.64
				1	600	20.60	14.80		22.20	15.50				3.66	
YH2F24TB21S	TL9E080C16UH11	21.0	XAH/XAHC36D	2	925	24.00	19.10	15.20	11.70	21.20	14.00	8.10	6.35	3.88	2.70
				1	775	21.40	16.60		21.75	16.20				3.88	
YH2F24TB21S	TL9E080C16UH11	21.0	XAF/XAFC36D	2	925	24.00	18.00	15.20	11.70	22.40	13.40	7.80	6.00	4.08	2.60
				1	775	21.60	15.80		21.50	16.50				4.00	
YH2F24TB21S	TL9E060B12UH11	17.5	XAH/XAHB36D	2	875	23.60	18.30	15.20	11.00	21.40	14.10	7.50	5.85	3.72	2.60
				1	625	20.60	14.90		21.80	15.70				3.66	
YH2F24TB21S	TL8E060A12UH11	17.5	XAH/XAHB36D	2	875	23.80	18.50	15.20	11.70	21.20	14.00	7.80	6.10	3.80	2.64
				1	625	20.60	14.90		22.10	15.60				3.70	
YH2F24TB21S	TL8E060A12UH11	17.5	XAF/XAF/XAUB36D	2	700	23.20	16.00	15.20	11.70	21.60	13.40	7.80	6.10	3.86	2.62
				1	575	19.90	13.50		20.80	15.80				3.70	
YH2F24TB21S	TM8Y080B12MP11	17.5	XAH/XAHB36D	2	800	23.60	17.80	15.20	11.70	21.00	13.70	7.80	6.10	3.78	2.66
				1	600	20.40	14.60		22.00	15.60				3.64	
YH2F24TB21S	TM8Y100C16MP11	21.0	XAH/XAHC36D	2	950	24.00	19.40	16.00	11.70	21.40	14.00	8.10	6.35	3.92	2.72
				1	675	21.00	15.60		22.85	15.70				3.82	
YH2F24TB21S	TM8Y100C16MP11	21.0	XAF/XAFC36D	2	750	23.40	16.40	15.20	11.70	21.60	13.30	7.80	6.05	3.94	2.62
				1	650	20.60	14.40		21.45	16.00				3.84	
YH2F24TB21S	TM8Y080B12MP11	17.5	XAF/XAF/XAUB30C	2	825	23.60	18.00	15.20	11.70	22.20	14.00	7.80	6.15	3.82	2.58
				1	625	20.80	14.50		22.20	16.10				3.62	
YH2F24TB21S	TM8Y080B12MP11	21.0	XAF/XAFC36D	2	825	23.60	17.10	15.20	11.70	22.00	13.40	7.80	6.05	3.98	2.60
				1	625	20.40	14.10		21.40	15.90				3.80	
YH2F24TB21S	TM8Y100C16MP11	21.0	XAF/XAFC30C	2	775	23.40	17.50	16.00	11.70	22.00	13.80	7.80	6.15	3.82	2.60
				1	650	21.00	14.80		22.25	16.20				3.68	
YH2F24TB21S	TM8Y100C16MP11	21.0	XAH/XAHC30C	2	775	23.40	16.90	15.20	11.70	22.00	14.00	7.80	6.10	3.84	2.64
				1	650	20.80	14.90		22.30	15.90				3.56	
YH2F24TB21S	TM8Y080B12MP11	21.0	XAH/XAHC30C	2	825	23.40	17.20	15.20	11.70	22.20	14.20	8.10	6.35	3.86	2.64
				1	625	20.60	14.60		22.25	15.80				3.52	
YH2F24TB21S	TM8Y080B12MP11	21.0	XAF/XAFC30C	2	825	23.60	18.00	15.20	11.70	22.20	14.00	7.80	6.15	3.82	2.58
				1	625	20.80	14.50		22.20	16.10				3.62	
YH2F24TB21S	TM8Y080B12MP11	17.5	XAH/XAHB30C	2	800	23.40	17.10	15.20	11.70	22.20	14.20	7.80	6.10	3.82	2.62
				1	625	20.60	14.60		22.15	15.80				3.52	
YH2F24TB21S	TM8Y080B12MP11	21.0	XAH/XAHC36D	2	800	23.60	17.80	15.20	11.70	21.00	13.70	7.80	6.10	3.78	2.66
				1	600	20.40	14.60		22.10	15.60				3.64	
YH2F24TB21S	TM8Y080B12MP11	17.5	XAF/XAF/XAUB36D	2	800	23.40	16.70	15.20	11.70	22.00	13.40	7.80	6.10	3.94	2.60
				1	625	20.40	14.10		21.30	15.90				3.80	
YH2F24TB21S	TM8E060A12MP11	17.5	XAF/XAF/XAUB30C	2	900	23.80	18.70	16.00	11.70	22.40	14.10	7.80	5.75	3.88	2.60
				1	700	21.20	15.20		22.25	16.30				3.74	
YH2F24TB21S	TMLE060A12MP11	17.5	XAF/XAF/XAUB30C	2	900	23.80	18.70	16.00	11.70	22.40	14.10	7.80	5.75	3.88	2.60
				1	700	21.20	15.20		22.25	16.30				3.74	

Furnace capacity - 2.5 ton

Table 10: Furnace capacity - 2.5 ton

Outdoor unit model	Furnace model	Furnace width (in.)	Indoor coil model	Stage	Rated CFM	Net cool (MBH)	Sens cool (MBH)	SEER2	EER2	Net47 (MBH)	Net17 (MBH)	HSPF2 IV	HSPF2 V	Cop47	Cop17
YH2F30TB21S	YPLC060A12MP13C	14.5	XAF/XAFA30D	2	975	29.60	21.60	15.20	11.70	28.20	18.50	7.80	6.20	3.62	2.56
				1	675	25.20	17.20		21.85	20.00				3.52	
YH2F30TB21S	YPLC060A12MP13C	17.5	XAF/XAF/XAUB36D	2	1075	29.80	22.20	15.20	11.70	28.60	18.60	7.80	6.20	3.70	2.58
				1	725	25.60	17.80		22.25	20.20				3.64	
YH2F30TB21S	YPLC060A12MP13C	17.5	XAH/XAHB36D	2	1075	28.80	21.60	15.20	11.00	28.00	18.20	7.50	5.95	3.60	2.50
				1	725	24.60	17.30		21.90	20.20				3.62	
YH2F30TB21S	TM9Y080C16MP11	21.0	XAH/XAHC36D	2	1075	28.80	21.60	15.20	11.00	28.00	18.10	7.50	5.95	3.64	2.52
				1	600	24.00	16.10		22.55	19.70				3.44	
YH2F30TB21S	TM9Y080B12MP11	17.5	XAH/XAHB36D	2	825	27.80	19.10	15.20	11.00	27.00	17.50	7.50	6.00	3.48	2.48
				1	625	24.00	16.20		21.55	19.90				3.44	
YH2F30TB21S	TM9Y080B12MP11	17.5	XAF/XAF/XAUB36D	2	1025	29.60	21.80	15.20	11.50	28.40	18.60	7.80	6.20	3.62	2.56
				1	675	25.20	17.20		22.30	20.00				3.54	
YH2F30TB21S	TM9Y060B12MP11	17.5	XAF/XAF/XAUB36D	2	1075	29.60	22.00	15.20	11.00	29.00	19.00	7.80	6.20	3.58	2.50
				1	825	26.00	18.60		21.55	20.80				3.72	
YH2F30TB21S	TM9V100C16MP12C	21.0	XAF/XAFC36D	2	1000	29.80	21.80	15.20	12.00	28.00	18.30	7.80	6.20	3.70	2.62
				1	700	25.40	17.50		22.20	20.00				3.60	
YH2F30TB21S	TP9C100C16MP13C	21.0	XAF/XAFC36D	2	1000	29.80	21.80	15.20	12.00	28.00	18.30	7.80	6.20	3.70	2.62
				1	700	25.40	17.50		22.20	20.00				3.60	
YH2F30TB21S	YP9C100C16MP13C	21.0	XAF/XAFC36D	2	1000	29.80	21.80	15.20	12.00	28.00	18.30	7.80	6.20	3.70	2.62
				1	700	25.40	17.50		22.20	20.00				3.60	
YH2F30TB21S	TM9V080B12MP12C	21.0	XAH/XAHC36D	2	1000	28.60	21.00	15.20	11.00	27.60	17.90	7.50	5.90	3.62	2.52
				1	700	24.40	17.00		21.90	20.20				3.58	
YH2F30TB21S	TP9C080B12MP13C	21.0	XAH/XAHC36D	2	1000	28.60	21.00	15.20	11.00	27.60	17.90	7.50	5.90	3.62	2.52
				1	700	24.40	17.00		21.90	20.20				3.58	
YH2F30TB21S	YP9C080B12MP13C	21.0	XAH/XAHC36D	2	1000	28.60	21.00	15.20	11.00	27.60	17.90	7.50	5.90	3.62	2.52
				1	700	24.40	17.00		21.90	20.20				3.58	
YH2F30TB21S	TM9V060B12MP12C	17.5	XAH/XAHB36D	2	1025	28.40	21.00	14.30	10.50	28.00	18.30	7.50	6.00	3.52	2.46
				1	650	24.20	16.50		21.50	20.00				3.48	
YH2F30TB21S	TP9C060B12MP13C	17.5	XAH/XAHB36D	2	1025	28.40	21.00	14.30	10.50	28.00	18.30	7.50	6.00	3.52	2.46
				1	650	24.20	16.50		21.50	20.00				3.48	
YH2F30TB21S	YP9C060B12MP13C	17.5	XAH/XAHB36D	2	1025	28.40	21.00	14.30	10.50	28.00	18.30	7.50	6.00	3.52	2.46
				1	650	24.20	16.50		21.50	20.00				3.48	
YH2F30TB21S	TM9V040A10MP12C	17.5	XAF/XAF/XAUB36D	2	900	29.00	20.60	15.20	11.00	28.20	18.60	7.50	6.05	3.50	2.52
				1	575	24.40	15.90		21.25	19.70				3.34	
YH2F30TB21S	TM9E080B12MP12	21.0	XAH/XAHC36D	2	1100	28.80	21.80	15.20	11.00	28.00	18.30	7.50	5.95	3.62	2.50
				1	750	24.80	17.70		22.10	20.40				3.66	
YH2F30TB21S	TM9E060A10MP12	14.5	XAF/XAFA30D	2	875	29.00	20.40	15.20	11.00	28.00	18.50	7.50	5.95	3.50	2.52
				1	625	24.80	16.50		21.40	19.90				3.42	
YH2F30TB21S	TM9E040A10MP12	17.5	XAF/XAF/XAUB36D	2	875	29.00	20.40	15.20	11.00	28.20	18.70	7.50	6.00	3.46	2.50
				1	600	24.60	16.20		21.50	19.80				3.38	
YH2F30TB21S	TM8Y080C16MP11	21.0	XAH/XAHC36D	2	950	28.60	20.80	15.20	11.50	27.20	17.70	7.50	5.95	3.62	2.54
				1	675	24.40	16.90		22.40	20.00				3.56	
YH2F30TB21S	TM8Y060A12MP11	14.5	XAF/XAFA30D	2	950	29.40	21.20	15.20	11.50	28.20	18.60	7.50	6.00	3.56	2.54
				1	600	24.60	16.20		21.95	19.80				3.42	
YH2F30TB21S	TM8V080B12MP12C	21.0	XAH/XAHC36D	2	1000	28.40	20.80	15.20	10.50	27.80	18.20	7.50	6.00	3.52	2.48
				1	675	24.20	16.70		21.45	20.00				3.52	
YH2F30TB21S	TPLC080B12MP13C	21.0	XAH/XAHC36D	2	1000	28.40	20.80	15.20	10.50	27.80	18.20	7.50	6.00	3.52	2.48
				1	675	24.20	16.70		21.45	20.00				3.52	
YH2F30TB21S	YPLC080B12MP13C	21.0	XAH/XAHC36D	2	1000	28.40	20.80	15.20	10.50	27.80	18.20	7.50	6.00	3.52	2.48
				1	675	24.20	16.70		21.45	20.00				3.52	
YH2F30TB21S	TM8V080B12MP12C	17.5	XAH/XAHB36D	2	900	28.00	19.80	14.30	11.00	27.40	17.90	7.50	6.00	3.48	2.48
				1	600	23.80	15.90		21.35	19.80				3.40	
YH2F30TB21S	TPLC080B12MP13C	17.5	XAH/XAHB36D	2	900	28.00	19.80	14.30	11.00	27.40	17.90	7.50	6.00	3.48	2.48
				1	600	23.80	15.90		21.35	19.80				3.40	
YH2F30TB21S	YPLC080B12MP13C	17.5	XAH/XAHB36D	2	900	28.00	19.80	14.30	11.00	27.40	17.90	7.50	6.00	3.48	2.48
				1	600	23.80	15.90		21.35	19.80				3.40	
YH2F30TB21S	TM8V080B12MP12C	21.0	XAF/XAFC36D	2	1000	29.40	21.40	15.20	11.00	28.40	18.70	7.50	5.95	3.58	2.54
				1	675	25.20	17.20		21.70	20.00				3.52	

Table 10: Furnace capacity - 2.5 ton

Outdoor unit model	Furnace model	Furnace width (in.)	Indoor coil model	Stage	Rated CFM	Net cool (MBH)	Sens cool (MBH)	SEER2	EER2	Net47 (MBH)	Net17 (MBH)	HSPF2 IV	HSPF2 V	Cop47	Cop17
YH2F30TB21S	TPLC080B12MP13C	21.0	XAF/XAFC36D	2	1000	29.40	21.40	15.20	11.00	28.40	18.70	7.50	5.95	3.58	2.54
				1	675	25.20	17.20		21.70	20.00				3.52	
YH2F30TB21S	YPLC080B12MP13C	21.0	XAF/XAFC36D	2	1000	29.40	21.40	15.20	11.00	28.40	18.70	7.50	5.95	3.58	2.54
				1	675	25.20	17.20		21.70	20.00				3.52	
YH2F30TB21S	TM8V060A12MP12C	14.5	XAF/XAFA30D	2	975	29.60	21.60	15.20	11.70	28.20	18.50	7.80	6.20	3.62	2.56
				1	675	25.20	17.20		21.85	20.00				3.52	
YH2F30TB21S	TMLV060A12MP12C	14.5	XAF/XAFA30D	2	975	29.60	21.60	15.20	11.70	28.20	18.50	7.80	6.20	3.62	2.56
				1	675	25.20	17.20		21.85	20.00				3.52	
YH2F30TB21S	TPLC060A12MP13C	14.5	XAF/XAFA30D	2	975	29.60	21.60	15.20	11.70	28.20	18.50	7.80	6.20	3.62	2.56
				1	675	25.20	17.20		21.85	20.00				3.52	
YH2F30TB21S	TM8E100C16MP11	21.0	XAH/XAHC36D	2	1100	29.00	22.00	15.20	11.00	28.00	18.10	7.80	6.20	3.70	2.56
				1	725	24.80	17.50		22.50	20.20				3.64	
YH2F30TB21S	TMLE100C16MP11	21.0	XAH/XAHC36D	2	1100	29.00	22.00	15.20	11.00	28.00	18.10	7.80	6.20	3.70	2.56
				1	725	24.80	17.50		22.50	20.20				3.64	
YH2F30TB21S	TM8E100B12MP11	21.0	XAH/XAHC36D	2	1100	29.00	22.00	15.20	11.00	28.00	18.20	7.80	6.20	3.66	2.52
				1	775	25.00	18.00		22.10	20.40				3.70	
YH2F30TB21S	TMLE100B12MP11	21.0	XAH/XAHC36D	2	1100	29.00	22.00	15.20	11.00	28.00	18.20	7.80	6.20	3.66	2.52
				1	775	25.00	18.00		22.10	20.40				3.70	
YH2F30TB21S	TM8E080B12MP11	21.0	XAF/XAFC36D	2	1100	30.00	22.60	16.00	11.50	28.80	18.70	7.80	6.20	3.68	2.56
				1	700	25.40	17.50		22.50	20.00				3.60	
YH2F30TB21S	TMLE080B12MP11	21.0	XAF/XAFC36D	2	1100	30.00	22.60	16.00	11.50	28.80	18.70	7.80	6.20	3.68	2.56
				1	700	25.40	17.50		22.50	20.00				3.60	
YH2F30TB21S	TM8E080B12MP11	17.5	XAF/XAF/XAUB36D	2	1100	30.00	22.60	16.00	11.50	28.80	18.70	7.80	6.20	3.68	2.56
				1	700	25.40	17.50		22.45	20.00				3.60	
YH2F30TB21S	TMLE080B12MP11	17.5	XAF/XAF/XAUB36D	2	1100	30.00	22.60	16.00	11.50	28.80	18.70	7.80	6.20	3.68	2.56
				1	700	25.40	17.50		22.45	20.00				3.60	
YH2F30TB21S	TM8E040A12MP11	17.5	XAF/XAF/XAUB36D	2	1075	30.00	22.40	16.00	11.70	28.60	18.60	7.80	6.25	3.70	2.58
				1	650	25.20	17.00		22.60	19.90				3.52	
YH2F30TB21S	TMLE040A12MP11	17.5	XAF/XAF/XAUB36D	2	1075	30.00	22.40	16.00	11.70	28.60	18.60	7.80	6.25	3.70	2.58
				1	650	25.20	17.00		22.60	19.90				3.52	
YH2F30TB21S	TL9E060B12UH11	21.0	XAH/XAHC36D	2	900	28.20	20.00	15.20	11.00	27.40	17.80	7.50	6.00	3.50	2.48
				1	650	24.20	16.50		21.75	20.00				3.48	
YH2F30TB21S	TL9E060B12UH11	17.5	XAH/XAHC36D	2	875	28.00	19.60	15.20	11.00	27.20	17.80	7.50	6.00	3.48	2.46
				1	625	24.00	16.20		21.50	19.90				3.42	
YH2F30TB21S	TL8E100C20UH11	21.0	XAF/XAFC36D	2	1050	30.00	22.40	16.00	12.00	28.20	18.30	8.10	6.25	3.78	2.64
				1	900	26.60	19.50		22.25	21.00				3.90	
YH2F30TB21S	TL8E080C16UH11	21.0	XAH/XAHC36D	2	1075	29.00	21.80	15.20	11.00	27.80	18.00	7.80	6.15	3.68	2.54
				1	850	25.40	18.80		22.05	20.80				3.82	
YH2F30TB21S	TL8E060A12UH11	17.5	XAH/XAHC36D	2	1050	28.60	21.40	15.20	11.00	27.80	18.20	7.50	5.95	3.56	2.48
				1	650	24.20	16.50		22.10	19.90				3.50	
YH2F30TB21S	TL8E060A12UH11	14.5	XAF/XAFA30D	2	875	29.20	20.60	15.20	11.70	27.80	18.30	7.80	6.30	3.56	2.58
				1	575	24.60	16.10		21.90	19.70				3.38	
YH2F30TB21S	TM9Y100C16MP11	24.5	XAH/XAHD48F	2	975	29.40	22.00	15.20	11.50	27.80	17.80	7.50	5.90	3.66	2.52
				1	575	24.40	16.40		22.40	20.00				3.44	
YH2F30TB21S	TM9Y080C16MP11	21.0	XAF/XAF/XAUC48F	2	975	29.80	21.80	15.20	11.70	28.80	18.30	7.80	6.25	3.72	2.60
				1	600	25.00	16.90		22.45	20.00				3.48	
YH2F30TB21S	TM9Y080B12MP11	21.0	XAF/XAF/XAUC48F	2	1050	30.00	22.60	15.20	11.00	29.00	18.70	7.80	6.20	3.70	2.58
				1	700	25.60	17.90		22.35	20.40				3.62	
YH2F30TB21S	TM9V080C16MP12C	24.5	XAH/XAHD48F	2	1125	30.00	23.20	15.20	11.00	28.40	18.10	7.50	5.90	3.74	2.54
				1	750	25.60	18.40		22.35	20.40				3.68	
YH2F30TB21S	TP9C080C16MP13C	24.5	XAH/XAHD48F	2	1125	30.00	23.20	15.20	11.00	28.40	18.10	7.50	5.90	3.74	2.54
				1	750	25.60	18.40		22.35	20.40				3.68	
YH2F30TB21S	YP9C080C16MP13C	24.5	XAH/XAHD48F	2	1125	30.00	23.20	15.20	11.00	28.40	18.10	7.50	5.90	3.74	2.54
				1	750	25.60	18.40		22.35	20.40				3.68	
YH2F30TB21S	TM9V080C16MP12C	21.0	XAH/XAHC48F	2	1025	29.60	22.20	15.20	11.00	28.00	17.80	7.50	5.85	3.70	2.54
				1	675	25.20	17.60		22.65	20.20				3.60	
YH2F30TB21S	TP9C080C16MP13C	21.0	XAH/XAHC48F	2	1025	29.60	22.20	15.20	11.00	28.00	17.80	7.50	5.85	3.70	2.54
				1	675	25.20	17.60		22.65	20.20				3.60	
YH2F30TB21S	YP9C080C16MP13C	21.0	XAH/XAHC48F	2	1025	29.60	22.20	15.20	11.00	28.00	17.80	7.50	5.85	3.70	2.54
				1	675	25.20	17.60		22.65	20.20				3.60	

Table 10: Furnace capacity - 2.5 ton

Outdoor unit model	Furnace model	Furnace width (in.)	Indoor coil model	Stage	Rated CFM	Net cool (MBH)	Sens cool (MBH)	SEER2	EER2	Net47 (MBH)	Net17 (MBH)	HSPF2 IV	HSPF2 V	Cop47	Cop17
YH2F30TB21S	TM9E080B12MP12	21.0	XAF/XAF/XAUC48F	2	925	29.60	21.40	15.20	11.70	28.60	18.20	7.80	6.20	3.68	2.58
				1	725	25.60	18.10		21.75	20.60				3.60	
YH2F30TB21S	TM8V100C16MP12C	24.5	XAH/XAHD48F	2	1150	30.00	23.60	15.20	11.50	28.40	18.00	7.50	5.85	3.78	2.56
				1	775	25.80	18.70		22.70	20.60				3.74	
YH2F30TB21S	TM8V080C16MP12C	24.5	XAH/XAHD48F	2	1150	30.00	23.60	15.20	11.50	28.40	18.00	7.50	5.85	3.78	2.56
				1	775	25.80	18.70		22.70	20.60				3.74	
YH2F30TB21S	TMLV100C16MP12C	24.5	XAH/XAHD48F	2	1150	30.00	23.60	15.20	11.50	28.40	18.00	7.50	5.85	3.78	2.56
				1	775	25.80	18.70		22.70	20.60				3.74	
YH2F30TB21S	TPLC080C16MP13C	24.5	XAH/XAHD48F	2	1150	30.00	23.60	15.20	11.50	28.40	18.00	7.50	5.85	3.78	2.56
				1	775	25.80	18.70		22.70	20.60				3.74	
YH2F30TB21S	TPLC100C16MP13C	24.5	XAH/XAHD48F	2	1150	30.00	23.60	15.20	11.50	28.40	18.00	7.50	5.85	3.78	2.56
				1	775	25.80	18.70		22.70	20.60				3.74	
YH2F30TB21S	YPLC080C16MP13C	24.5	XAH/XAHD48F	2	1150	30.00	23.60	15.20	11.50	28.40	18.00	7.50	5.85	3.78	2.56
				1	775	25.80	18.70		22.70	20.60				3.74	
YH2F30TB21S	YPLC100C16MP13C	24.5	XAH/XAHD48F	2	1150	30.00	23.60	15.20	11.50	28.40	18.00	7.50	5.85	3.78	2.56
				1	775	25.80	18.70		22.70	20.60				3.74	
YH2F30TB21S	TM8V100C16MP12C	21.0	XAF/XAF/XAUC48F	2	1150	30.00	23.20	15.20	11.70	29.20	18.80	8.10	6.20	3.84	2.66
				1	775	26.00	18.70		22.45	20.60				3.74	
YH2F30TB21S	TM8V080C16MP12C	21.0	XAF/XAF/XAUC48F	2	1150	30.00	23.20	15.20	11.70	29.20	18.80	8.10	6.20	3.84	2.66
				1	775	26.00	18.70		22.45	20.60				3.74	
YH2F30TB21S	TMLV100C16MP12C	21.0	XAF/XAF/XAUC48F	2	1150	30.00	23.20	15.20	11.70	29.20	18.80	8.10	6.20	3.84	2.66
				1	775	26.00	18.70		22.45	20.60				3.74	
YH2F30TB21S	TPLC080C16MP13C	21.0	XAF/XAF/XAUC48F	2	1150	30.00	23.20	15.20	11.70	29.20	18.80	8.10	6.20	3.84	2.66
				1	775	26.00	18.70		22.45	20.60				3.74	
YH2F30TB21S	TPLC100C16MP13C	21.0	XAF/XAF/XAUC48F	2	1150	30.00	23.20	15.20	11.70	29.20	18.80	8.10	6.20	3.84	2.66
				1	775	26.00	18.70		22.45	20.60				3.74	
YH2F30TB21S	YPLC080C16MP13C	21.0	XAF/XAF/XAUC48F	2	1150	30.00	23.20	15.20	11.70	29.20	18.80	8.10	6.20	3.84	2.66
				1	775	26.00	18.70		22.45	20.60				3.74	
YH2F30TB21S	YPLC100C16MP13C	21.0	XAF/XAF/XAUC48F	2	1150	30.00	23.20	15.20	11.70	29.20	18.80	8.10	6.20	3.84	2.66
				1	775	26.00	18.70		22.45	20.60				3.74	
YH2F30TB21S	TM8V080B12MP12C	21.0	XAH/XAHC48F	2	1000	29.20	21.80	15.20	11.00	28.20	18.00	7.50	5.95	3.60	2.48
				1	675	25.00	17.40		22.15	20.20				3.56	
YH2F30TB21S	TPLC080B12MP13C	21.0	XAH/XAHC48F	2	1000	29.20	21.80	15.20	11.00	28.20	18.00	7.50	5.95	3.60	2.48
				1	675	25.00	17.40		22.15	20.20				3.56	
YH2F30TB21S	YPLC080B12MP13C	21.0	XAH/XAHC48F	2	1000	29.20	21.80	15.20	11.00	28.20	18.00	7.50	5.95	3.60	2.48
				1	675	25.00	17.40		22.15	20.20				3.56	
YH2F30TB21S	TM8V080B12MP12C	21.0	XAF/XAF/XAUC48F	2	1000	29.60	21.80	15.20	11.00	29.00	18.70	7.80	6.25	3.64	2.56
				1	675	25.40	17.60		21.60	20.40				3.56	
YH2F30TB21S	TPLC080B12MP13C	21.0	XAF/XAF/XAUC48F	2	1000	29.60	21.80	15.20	11.00	29.00	18.70	7.80	6.25	3.64	2.56
				1	675	25.40	17.60		21.60	20.40				3.56	
YH2F30TB21S	YPLC080B12MP13C	21.0	XAF/XAF/XAUC48F	2	1000	29.60	21.80	15.20	11.00	29.00	18.70	7.80	6.25	3.64	2.56
				1	675	25.40	17.60		21.60	20.40				3.56	
YH2F30TB21S	TM8E120C16MP11	21.0	XAF/XAF/XAUC48F	2	925	29.80	21.60	15.20	11.70	28.40	18.10	7.80	6.20	3.72	2.62
				1	725	25.80	18.30		22.35	20.40				3.64	
YH2F30TB21S	TMLE120C16MP11	21.0	XAF/XAF/XAUC48F	2	925	29.80	21.60	15.20	11.70	28.40	18.10	7.80	6.20	3.72	2.62
				1	725	25.80	18.30		22.35	20.40				3.64	
YH2F30TB21S	TL9E080C16UH11	21.0	XAF/XAF/XAUC48F	2	950	29.80	21.60	15.20	11.70	28.60	18.20	8.10	6.45	3.72	2.62
				1	800	26.20	19.00		21.80	20.80				3.72	
YH2F30TB21S	TL8E080C16UH11	24.5	XAH/XAHD48F	2	925	29.20	21.40	15.20	11.50	27.60	17.70	7.50	5.85	3.64	2.54
				1	800	25.80	18.80		21.95	20.80				3.70	
YH2F30TB21S	TL8E080C16UH11	21.0	XAF/XAF/XAUC48F	2	925	29.60	21.40	15.20	11.70	28.60	18.10	7.80	6.20	3.72	2.60
				1	800	26.20	19.00		21.70	20.80				3.70	
YH2F30TB21S	TM9Y100C16MP11	21.0	XAH/XAHC36D	2	1075	28.80	21.60	15.20	11.00	27.80	18.10	7.50	5.95	3.66	2.54
				1	575	23.80	15.70		22.20	19.60				3.40	
YH2F30TB21S	TM9Y060B12MP11	17.5	XAH/XAHC36D	2	1025	28.40	21.00	15.20	10.50	28.00	18.30	7.50	6.00	3.50	2.46
				1	650	24.20	16.50		21.90	20.00				3.48	
YH2F30TB21S	TM9V100C16MP12C	21.0	XAH/XAHC36D	2	1000	28.60	21.00	15.20	11.50	27.40	17.80	7.50	5.90	3.66	2.56
				1	700	24.60	17.20		22.00	20.20				3.60	
YH2F30TB21S	TP9C100C16MP13C	21.0	XAH/XAHC36D	2	1000	28.60	21.00	15.20	11.50	27.40	17.80	7.50	5.90	3.66	2.56
				1	700	24.60	17.20		22.00	20.20				3.60	

Table 10: Furnace capacity - 2.5 ton

Outdoor unit model	Furnace model	Furnace width (in.)	Indoor coil model	Stage	Rated CFM	Net cool (MBH)	Sens cool (MBH)	SEER2	EER2	Net47 (MBH)	Net17 (MBH)	HSPF2 IV	HSPF2 V	Cop47	Cop17
YH2F30TB21S	YP9C100C16MP13C	21.0	XAH/XAHC36D	2	1000	28.60	21.00	15.20	11.50	27.40	17.80	7.50	5.90	3.66	2.56
				1	700	24.60	17.20		22.00	20.20				3.60	
YH2F30TB21S	TM9V080C16MP12C	21.0	XAF/XAFC36D	2	1125	30.00	22.60	15.20	11.70	28.80	18.60	7.80	6.15	3.74	2.58
				1	750	25.60	17.90		22.20	20.40				3.68	
YH2F30TB21S	TP9C080C16MP13C	21.0	XAF/XAFC36D	2	1125	30.00	22.60	15.20	11.70	28.80	18.60	7.80	6.15	3.74	2.58
				1	750	25.60	17.90		22.20	20.40				3.68	
YH2F30TB21S	YP9C080C16MP13C	21.0	XAF/XAFC36D	2	1125	30.00	22.60	15.20	11.70	28.80	18.60	7.80	6.15	3.74	2.58
				1	750	25.60	17.90		22.20	20.40				3.68	
YH2F30TB21S	TM9V060B12MP12C	21.0	XAH/XAHC36D	2	1025	28.40	21.00	15.20	10.50	27.80	18.20	7.50	5.95	3.56	2.48
				1	650	24.20	16.50		21.70	19.90				3.50	
YH2F30TB21S	TP9C060B12MP13C	21.0	XAH/XAHC36D	2	1025	28.40	21.00	15.20	10.50	27.80	18.20	7.50	5.95	3.56	2.48
				1	650	24.20	16.50		21.70	19.90				3.50	
YH2F30TB21S	YP9C060B12MP13C	21.0	XAH/XAHC36D	2	1025	28.40	21.00	15.20	10.50	27.80	18.20	7.50	5.95	3.56	2.48
				1	650	24.20	16.50		21.70	19.90				3.50	
YH2F30TB21S	TM9E100C16MP12	21.0	XAF/XAFC36D	2	1100	30.00	22.60	16.00	11.70	28.60	18.60	7.80	6.20	3.74	2.60
				1	725	25.60	17.80		22.60	20.20				3.64	
YH2F30TB21S	TM9E040A10MP12	17.5	XAH/XAHC36D	2	850	27.80	19.30	14.30	11.00	27.40	17.90	7.50	6.05	3.40	2.42
				1	600	23.80	15.90		21.40	19.80				3.38	
YH2F30TB21S	TM9E026A08MP12	17.5	XAF/XAF/XAUB36D	2	750	28.60	19.40	15.20	11.70	27.40	18.30	7.50	6.05	3.44	2.54
				1	550	24.20	15.60		21.25	19.70				3.30	
YH2F30TB21S	TM8Y060A12MP11	17.5	XAF/XAF/XAUB36D	2	975	29.60	21.60	15.20	11.50	28.20	18.50	7.50	5.95	3.60	2.56
				1	625	24.80	16.50		22.20	19.80				3.46	
YH2F30TB21S	TM8E080B12MP11	17.5	XAH/XAHC36D	2	1075	28.60	21.40	15.20	11.00	28.00	18.30	7.50	5.95	3.58	2.50
				1	675	24.40	16.90		22.05	20.00				3.54	
YH2F30TB21S	TMLE080B12MP11	17.5	XAH/XAHC36D	2	1075	28.60	21.40	15.20	11.00	28.00	18.30	7.50	5.95	3.58	2.50
				1	675	24.40	16.90		22.05	20.00				3.54	
YH2F30TB21S	TM8E060A12MP11	14.5	XAF/XAFA30D	2	850	29.20	20.40	15.20	11.70	27.60	18.30	7.80	6.25	3.56	2.58
				1	650	25.00	16.80		21.65	20.00				3.46	
YH2F30TB21S	TMLE060A12MP11	14.5	XAF/XAFA30D	2	850	29.20	20.40	15.20	11.70	27.60	18.30	7.80	6.25	3.56	2.58
				1	650	25.00	16.80		21.65	20.00				3.46	
YH2F30TB21S	TL8E100C20UH11	21.0	XAH/XAHC36D	2	1025	29.00	21.60	15.20	11.70	27.40	17.80	7.80	6.15	3.70	2.58
				1	900	25.60	19.30		21.95	21.00				3.90	
YH2F30TB21S	TM9V080C16MP12C	24.5	XAF/XAFD48F	2	1125	30.00	23.00	15.20	11.50	29.20	18.80	8.10	6.35	3.80	2.64
				1	750	25.80	18.40		22.10	20.40				3.68	
YH2F30TB21S	TP9C080C16MP13C	24.5	XAF/XAFD48F	2	1125	30.00	23.00	15.20	11.50	29.20	18.80	8.10	6.35	3.80	2.64
				1	750	25.80	18.40		22.10	20.40				3.68	
YH2F30TB21S	YP9C080C16MP13C	24.5	XAF/XAFD48F	2	1125	30.00	23.00	15.20	11.50	29.20	18.80	8.10	6.35	3.80	2.64
				1	750	25.80	18.40		22.10	20.40				3.68	
YH2F30TB21S	TM9V060B12MP12C	21.0	XAH/XAHC48F	2	1025	29.40	22.00	15.20	11.00	28.20	18.00	7.50	5.90	3.62	2.50
				1	650	25.00	17.30		22.40	20.20				3.56	
YH2F30TB21S	TP9C060B12MP13C	21.0	XAH/XAHC48F	2	1025	29.40	22.00	15.20	11.00	28.20	18.00	7.50	5.90	3.62	2.50
				1	650	25.00	17.30		22.40	20.20				3.56	
YH2F30TB21S	YP9C060B12MP13C	21.0	XAH/XAHC48F	2	1025	29.40	22.00	15.20	11.00	28.20	18.00	7.50	5.90	3.62	2.50
				1	650	25.00	17.30		22.40	20.20				3.56	
YH2F30TB21S	TM9E080C16MP12	21.0	XAF/XAF/XAUC48F	2	925	29.60	21.40	15.20	11.70	28.60	18.10	7.80	6.20	3.70	2.60
				1	675	25.40	17.60		22.15	20.20				3.56	
YH2F30TB21S	TM8Y080C16MP11	21.0	XAH/XAHC48F	2	1000	29.60	22.20	16.00	11.70	27.80	17.70	7.80	6.15	3.72	2.56
				1	750	25.80	18.60		23.35	20.40				3.74	
YH2F30TB21S	TM8E100C16MP11	24.5	XAH/XAHD48F	2	900	29.00	21.00	15.20	11.50	27.60	17.60	7.50	5.90	3.62	2.52
				1	700	25.20	17.70		22.45	20.40				3.60	
YH2F30TB21S	TMLE100C16MP11	24.5	XAH/XAHD48F	2	900	29.00	21.00	15.20	11.50	27.60	17.60	7.50	5.90	3.62	2.52
				1	700	25.20	17.70		22.45	20.40				3.60	
YH2F30TB21S	TM8E100C16MP11	24.5	XAF/XAFD48F	2	925	29.60	21.40	15.20	11.70	28.40	18.10	7.80	6.20	3.72	2.60
				1	725	25.80	18.30		22.35	20.40				3.66	
YH2F30TB21S	TMLE100C16MP11	24.5	XAF/XAFD48F	2	925	29.60	21.40	15.20	11.70	28.40	18.10	7.80	6.20	3.72	2.60
				1	725	25.80	18.30		22.35	20.40				3.66	
YH2F30TB21S	TM8E080B12MP11	21.0	XAF/XAF/XAUC48F	2	900	29.60	21.20	15.20	11.70	28.40	18.10	7.80	6.20	3.68	2.58
				1	675	25.40	17.60		21.95	20.40				3.56	
YH2F30TB21S	TMLE080B12MP11	21.0	XAF/XAF/XAUC48F	2	900	29.60	21.20	15.20	11.70	28.40	18.10	7.80	6.20	3.68	2.58
				1	675	25.40	17.60		21.95	20.40				3.56	

Table 10: Furnace capacity - 2.5 ton

Outdoor unit model	Furnace model	Furnace width (in.)	Indoor coil model	Stage	Rated CFM	Net cool (MBH)	Sens cool (MBH)	SEER2	EER2	Net47 (MBH)	Net17 (MBH)	HSPF2 IV	HSPF2 V	Cop47	Cop17
YH2F30TB21S	TM9Y080B12MP11	21.0	XAH/XAHC36D	2	1025	28.60	21.20	15.20	11.00	27.80	18.10	7.50	5.95	3.58	2.50
				1	675	24.40	16.90		22.15	20.00				3.54	
YH2F30TB21S	TM9Y060B12MP11	21.0	XAH/XAHC36D	2	1075	28.60	21.40	15.20	10.50	28.20	18.50	7.50	5.95	3.54	2.46
				1	675	24.40	16.90		22.10	20.00				3.54	
YH2F30TB21S	TM9Y060B12MP11	21.0	XAF/XAFC36D	2	1000	29.60	21.60	15.20	11.50	28.40	18.60	7.50	5.95	3.60	2.54
				1	650	25.00	16.80		22.05	20.00				3.50	
YH2F30TB21S	TM9V080B12MP12C	17.5	XAF/XAF/XAUB36D	2	1000	29.60	21.60	15.20	11.70	28.20	18.50	7.80	6.25	3.66	2.58
				1	700	25.40	17.50		22.05	20.20				3.58	
YH2F30TB21S	TP9C080B12MP13C	17.5	XAF/XAF/XAUB36D	2	1000	29.60	21.60	15.20	11.70	28.20	18.50	7.80	6.25	3.66	2.58
				1	700	25.40	17.50		22.05	20.20				3.58	
YH2F30TB21S	YP9C080B12MP13C	17.5	XAF/XAF/XAUB36D	2	1000	29.60	21.60	15.20	11.70	28.20	18.50	7.80	6.25	3.66	2.58
				1	700	25.40	17.50		22.05	20.20				3.58	
YH2F30TB21S	TM9V060B12MP12C	21.0	XAF/XAFC36D	2	925	29.40	21.00	15.20	11.50	28.00	18.40	7.50	5.95	3.58	2.56
				1	575	24.40	15.90		21.80	19.60				3.38	
YH2F30TB21S	TP9C060B12MP13C	21.0	XAF/XAFC36D	2	925	29.40	21.00	15.20	11.50	28.00	18.40	7.50	5.95	3.58	2.56
				1	575	24.40	15.90		21.80	19.60				3.38	
YH2F30TB21S	YP9C060B12MP13C	21.0	XAF/XAFC36D	2	925	29.40	21.00	15.20	11.50	28.00	18.40	7.50	5.95	3.58	2.56
				1	575	24.40	15.90		21.80	19.60				3.38	
YH2F30TB21S	TM9E080B12MP12	17.5	XAF/XAF/XAUB36D	2	1100	30.00	22.60	15.20	11.00	28.80	18.80	7.80	6.20	3.66	2.56
				1	750	25.60	17.90		22.25	20.40				3.66	
YH2F30TB21S	TM9E060B12MP12	21.0	XAF/XAFC36D	2	950	29.40	21.20	15.20	11.50	28.20	18.50	7.50	5.95	3.58	2.56
				1	675	25.20	17.20		21.70	20.20				3.50	
YH2F30TB21S	TM9E060B12MP12	17.5	XAF/XAF/XAUB36D	2	1100	29.80	22.40	15.20	11.00	29.00	18.90	7.80	6.20	3.62	2.52
				1	700	25.40	17.50		21.95	20.20				3.56	
YH2F30TB21S	TM8E100C16MP11	21.0	XAF/XAFC36D	2	1125	30.00	22.80	16.00	11.70	28.60	18.50	8.10	6.45	3.78	2.62
				1	750	25.80	18.10		22.85	20.20				3.70	
YH2F30TB21S	TMLE100C16MP11	21.0	XAF/XAFC36D	2	1125	30.00	22.80	16.00	11.70	28.60	18.50	8.10	6.45	3.78	2.62
				1	750	25.80	18.10		22.85	20.20				3.70	
YH2F30TB21S	TM8E100B12MP11	17.5	XAF/XAF/XAUB36D	2	925	29.40	21.00	15.20	11.70	28.00	18.30	7.80	6.25	3.62	2.58
				1	650	25.00	16.80		22.20	19.90				3.50	
YH2F30TB21S	TMLE100B12MP11	17.5	XAF/XAF/XAUB36D	2	925	29.40	21.00	15.20	11.70	28.00	18.30	7.80	6.25	3.62	2.58
				1	650	25.00	16.80		22.20	19.90				3.50	
YH2F30TB21S	TM8E080B12MP11	21.0	XAH/XAHC36D	2	1100	28.80	21.80	15.20	11.00	28.20	18.30	7.50	5.95	3.64	2.52
				1	700	24.60	17.20		22.30	20.00				3.60	
YH2F30TB21S	TMLE080B12MP11	21.0	XAH/XAHC36D	2	1100	28.80	21.80	15.20	11.00	28.20	18.30	7.50	5.95	3.64	2.52
				1	700	24.60	17.20		22.30	20.00				3.60	
YH2F30TB21S	TL9E080C16UH11	21.0	XAF/XAFC36D	2	1125	30.00	22.80	16.00	11.70	28.60	18.60	8.10	6.45	3.76	2.60
				1	850	26.40	19.10		22.45	20.80				3.84	
YH2F30TB21S	TM9Y120D20MP11	24.5	XAF/XAFD48F	2	1025	30.00	22.40	15.20	11.70	28.80	18.40	8.10	6.30	3.78	2.64
				1	850	26.60	19.60		22.35	20.80				3.84	
YH2F30TB21S	TM9Y100C16MP11	21.0	XAH/XAHC48F	2	975	29.40	22.00	15.20	11.50	27.80	17.70	7.50	5.90	3.66	2.54
				1	625	24.80	17.00		22.90	20.00				3.54	
YH2F30TB21S	TM9Y080C16MP11	24.5	XAH/XAHD48F	2	975	29.40	22.00	15.20	11.50	27.80	17.80	7.50	5.90	3.66	2.52
				1	600	24.60	16.70		22.75	20.00				3.48	
YH2F30TB21S	TM9Y080C16MP11	24.5	XAF/XAFD48F	2	975	29.80	21.80	15.20	11.70	28.80	18.30	7.80	6.25	3.72	2.60
				1	600	25.00	16.90		22.40	20.00				3.48	
YH2F30TB21S	TM9V100C16MP12C	21.0	XAH/XAHC48F	2	1000	29.60	22.20	15.20	11.70	27.80	17.70	7.80	6.15	3.72	2.56
				1	700	25.40	17.90		22.70	20.20				3.64	
YH2F30TB21S	TP9C100C16MP13C	21.0	XAH/XAHC48F	2	1000	29.60	22.20	15.20	11.70	27.80	17.70	7.80	6.15	3.72	2.56
				1	700	25.40	17.90		22.70	20.20				3.64	
YH2F30TB21S	YP9C100C16MP13C	21.0	XAH/XAHC48F	2	1000	29.60	22.20	15.20	11.70	27.80	17.70	7.80	6.15	3.72	2.56
				1	700	25.40	17.90		22.70	20.20				3.64	
YH2F30TB21S	TM9V100C16MP12C	21.0	XAF/XAF/XAUC48F	2	1000	30.00	22.20	15.20	11.70	28.60	18.30	8.10	6.45	3.78	2.64
				1	700	25.60	17.90		22.15	20.40				3.62	
YH2F30TB21S	TP9C100C16MP13C	21.0	XAF/XAF/XAUC48F	2	1000	30.00	22.20	15.20	11.70	28.60	18.30	8.10	6.45	3.78	2.64
				1	700	25.60	17.90		22.15	20.40				3.62	
YH2F30TB21S	YP9C100C16MP13C	21.0	XAF/XAF/XAUC48F	2	1000	30.00	22.20	15.20	11.70	28.60	18.30	8.10	6.45	3.78	2.64
				1	700	25.60	17.90		22.15	20.40				3.62	
YH2F30TB21S	TM9E100C16MP12	24.5	XAH/XAHD48F	2	1125	30.00	23.20	16.00	11.50	28.40	18.00	7.50	5.85	3.74	2.54
				1	750	25.60	18.40		22.95	20.40				3.70	

Table 10: Furnace capacity - 2.5 ton

Outdoor unit model	Furnace model	Furnace width (in.)	Indoor coil model	Stage	Rated CFM	Net cool (MBH)	Sens cool (MBH)	SEER2	EER2	Net47 (MBH)	Net17 (MBH)	HSPF2 IV	HSPF2 V	Cop47	Cop17
YH2F30TB21S	TM9E100C16MP12	21.0	XAF/XAF/XAUC48F	2	1125	30.00	23.00	15.20	11.70	29.20	18.80	8.10	6.35	3.80	2.64
				1	750	26.00	18.60		22.60	20.40				3.70	
YH2F30TB21S	TM9E080C16MP12	24.5	XAF/XAFD48F	2	925	29.60	21.40	15.20	11.70	28.60	18.10	7.80	6.20	3.70	2.60
				1	675	25.40	17.60		22.15	20.20				3.56	
YH2F30TB21S	TM8Y080C16MP11	24.5	XAF/XAFD48F	2	1000	30.00	22.20	15.20	11.70	28.60	18.30	8.10	6.45	3.78	2.64
				1	700	25.60	17.90		22.60	20.20				3.64	
YH2F30TB21S	TM8V080C16MP12C	21.0	XAH/XAHC48F	2	1125	30.00	23.40	16.00	11.50	28.20	17.90	7.50	5.85	3.78	2.56
				1	775	25.80	18.70		22.90	20.40				3.76	
YH2F30TB21S	TM8E100B12MP11	21.0	XAH/XAHC48F	2	975	29.40	22.00	15.20	11.50	27.80	17.70	7.50	5.90	3.68	2.54
				1	700	25.40	17.90		22.85	20.40				3.62	
YH2F30TB21S	TMLE100B12MP11	21.0	XAH/XAHC48F	2	975	29.40	22.00	15.20	11.50	27.80	17.70	7.50	5.90	3.68	2.54
				1	700	25.40	17.90		22.85	20.40				3.62	
YH2F30TB21S	TM8E080C16MP11	21.0	XAH/XAHC48F	2	925	29.20	21.40	16.00	11.70	27.60	17.60	7.80	6.15	3.68	2.54
				1	750	25.60	18.40		22.80	20.40				3.70	
YH2F30TB21S	TMLE080C16MP11	21.0	XAH/XAHC48F	2	925	29.20	21.40	16.00	11.70	27.60	17.60	7.80	6.15	3.68	2.54
				1	750	25.60	18.40		22.80	20.40				3.70	
YH2F30TB21S	TL9E060B12UH11	21.0	XAH/XAHC48F	2	925	29.00	21.20	15.20	11.00	27.80	17.90	7.50	5.95	3.58	2.48
				1	650	25.00	17.30		22.50	20.20				3.54	
YH2F30TB21S	TM9Y080B12MP11	21.0	XAF/XAFC36D	2	1050	29.80	22.20	15.20	11.70	28.60	18.60	7.80	6.25	3.66	2.56
				1	675	25.20	17.20		22.30	20.00				3.54	
YH2F30TB21S	TM9E080C16MP12	21.0	XAH/XAHC36D	2	1100	29.00	22.00	15.20	11.00	28.00	18.10	7.80	6.20	3.68	2.54
				1	700	24.60	17.20		22.45	20.00				3.60	
YH2F30TB21S	TM9E080B12MP12	17.5	XAH/XAHB36D	2	1075	28.60	21.40	15.20	10.50	28.20	18.30	7.50	5.95	3.58	2.48
				1	725	24.60	17.30		21.80	20.20				3.60	
YH2F30TB21S	TM8V080C16MP12C	21.0	XAH/XAHC36D	2	1200	29.40	23.00	15.20	11.00	28.40	18.40	8.10	6.45	3.74	2.56
				1	800	25.20	18.30		22.20	20.40				3.78	
YH2F30TB21S	TM8V080C16MP12C	21.0	XAF/XAFC36D	2	1200	30.00	23.20	16.00	11.70	29.00	18.70	7.80	6.00	3.80	2.60
				1	800	26.00	18.50		22.50	20.40				3.78	
YH2F30TB21S	TM8E120C16MP11	21.0	XAF/XAFC36D	2	1125	30.00	22.80	16.00	11.70	28.60	18.50	8.10	6.45	3.78	2.62
				1	750	25.80	18.10		22.85	20.20				3.70	
YH2F30TB21S	TMLE120C16MP11	21.0	XAF/XAFC36D	2	1125	30.00	22.80	16.00	11.70	28.60	18.50	8.10	6.45	3.78	2.62
				1	750	25.80	18.10		22.85	20.20				3.70	
YH2F30TB21S	TM8E100B12MP11	17.5	XAH/XAHB36D	2	1075	28.80	21.60	15.20	11.00	28.00	18.20	7.50	5.95	3.60	2.50
				1	650	24.20	16.50		22.10	19.90				3.50	
YH2F30TB21S	TMLE100B12MP11	17.5	XAH/XAHB36D	2	1075	28.80	21.60	15.20	11.00	28.00	18.20	7.50	5.95	3.60	2.50
				1	650	24.20	16.50		22.10	19.90				3.50	
YH2F30TB21S	TM8E080C16MP11	21.0	XAF/XAFC36D	2	1075	30.00	22.40	16.00	11.70	28.40	18.50	8.10	6.45	3.74	2.60
				1	750	25.80	18.10		22.70	20.20				3.70	
YH2F30TB21S	TMLE080C16MP11	21.0	XAF/XAFC36D	2	1075	30.00	22.40	16.00	11.70	28.40	18.50	8.10	6.45	3.74	2.60
				1	750	25.80	18.10		22.70	20.20				3.70	
YH2F30TB21S	TM8E040A12MP11	17.5	XAH/XAHB36D	2	1050	28.80	21.60	15.20	11.00	27.80	18.10	7.50	5.95	3.60	2.52
				1	625	24.20	16.40		22.25	19.80				3.48	
YH2F30TB21S	TMLE040A12MP11	17.5	XAH/XAHB36D	2	1050	28.80	21.60	15.20	11.00	27.80	18.10	7.50	5.95	3.60	2.52
				1	625	24.20	16.40		22.25	19.80				3.48	
YH2F30TB21S	TM9Y060B12MP11	21.0	XAH/XAHC48F	2	1025	29.40	22.00	15.20	11.00	28.20	18.10	7.50	5.90	3.62	2.48
				1	675	25.20	17.60		22.45	20.20				3.56	
YH2F30TB21S	TM9V100C16MP12C	24.5	XAF/XAFD48F	2	1000	30.00	22.20	15.20	11.70	28.60	18.30	8.10	6.45	3.78	2.64
				1	700	25.60	17.90		22.15	20.40				3.62	
YH2F30TB21S	TP9C100C16MP13C	24.5	XAF/XAFD48F	2	1000	30.00	22.20	15.20	11.70	28.60	18.30	8.10	6.45	3.78	2.64
				1	700	25.60	17.90		22.15	20.40				3.62	
YH2F30TB21S	YP9C100C16MP13C	24.5	XAF/XAFD48F	2	1000	30.00	22.20	15.20	11.70	28.60	18.30	8.10	6.45	3.78	2.64
				1	700	25.60	17.90		22.15	20.40				3.62	
YH2F30TB21S	TM9V080B12MP12C	21.0	XAH/XAHC48F	2	1000	29.40	22.00	15.20	11.00	27.80	17.80	7.50	5.85	3.68	2.54
				1	675	25.20	17.60		22.55	20.20				3.60	
YH2F30TB21S	TP9C080B12MP13C	21.0	XAH/XAHC48F	2	1000	29.40	22.00	15.20	11.00	27.80	17.80	7.50	5.85	3.68	2.54
				1	675	25.20	17.60		22.55	20.20				3.60	
YH2F30TB21S	YP9C080B12MP13C	21.0	XAH/XAHC48F	2	1000	29.40	22.00	15.20	11.00	27.80	17.80	7.50	5.85	3.68	2.54
				1	675	25.20	17.60		22.55	20.20				3.60	
YH2F30TB21S	TM9E080C16MP12	24.5	XAH/XAHD48F	2	925	29.20	21.40	15.20	11.50	27.60	17.70	7.50	5.90	3.64	2.52
				1	675	25.20	17.60		22.45	20.20				3.56	

Table 10: Furnace capacity - 2.5 ton

Outdoor unit model	Furnace model	Furnace width (in.)	Indoor coil model	Stage	Rated CFM	Net cool (MBH)	Sens cool (MBH)	SEER2	EER2	Net47 (MBH)	Net17 (MBH)	HSPF2 IV	HSPF2 V	Cop47	Cop17
YH2F30TB21S	TM8Y080C16MP11	21.0	XAF/XAF/XAUC48F	2	1000	30.00	22.20	15.20	11.70	28.60	18.30	8.10	6.45	3.78	2.64
				1	700	25.60	17.90		22.60	20.20				3.64	
YH2F30TB21S	TM8E120C16MP11	24.5	XAF/XAFD48F	2	925	29.80	21.60	15.20	11.70	28.40	18.10	7.80	6.20	3.72	2.62
				1	725	25.80	18.30		22.35	20.40				3.64	
YH2F30TB21S	TMLE120C16MP11	24.5	XAF/XAFD48F	2	925	29.80	21.60	15.20	11.70	28.40	18.10	7.80	6.20	3.72	2.62
				1	725	25.80	18.30		22.35	20.40				3.64	
YH2F30TB21S	TM8E080C16MP11	24.5	XAH/XAHD48F	2	1100	30.00	23.20	16.00	11.50	28.20	17.90	7.50	5.85	3.74	2.54
				1	775	25.80	18.70		23.00	20.60				3.74	
YH2F30TB21S	TMLE080C16MP11	24.5	XAH/XAHD48F	2	1100	30.00	23.20	16.00	11.50	28.20	17.90	7.50	5.85	3.74	2.54
				1	775	25.80	18.70		23.00	20.60				3.74	
YH2F30TB21S	TM8E080C16MP11	24.5	XAF/XAFD48F	2	1100	30.00	22.80	16.00	11.70	29.00	18.70	8.10	6.35	3.82	2.64
				1	775	26.20	18.90		22.75	20.60				3.74	
YH2F30TB21S	TMLE080C16MP11	24.5	XAF/XAFD48F	2	1100	30.00	22.80	16.00	11.70	29.00	18.70	8.10	6.35	3.82	2.64
				1	775	26.20	18.90		22.75	20.60				3.74	
YH2F30TB21S	TM8E080B12MP11	21.0	XAH/XAHC48F	2	1125	29.60	23.00	16.00	11.00	28.40	18.20	7.50	5.90	3.70	2.50
				1	750	25.60	18.40		23.10	20.40				3.72	
YH2F30TB21S	TMLE080B12MP11	21.0	XAH/XAHC48F	2	1125	29.60	23.00	16.00	11.00	28.40	18.20	7.50	5.90	3.70	2.50
				1	750	25.60	18.40		23.10	20.40				3.72	
YH2F30TB21S	TL9E080C16UH11	24.5	XAH/XAHD48F	2	950	29.40	21.80	15.20	11.50	27.80	17.70	7.50	5.85	3.66	2.54
				1	800	25.80	18.80		22.05	20.80				3.72	
YH2F30TB21S	TL9E060B12UH11	21.0	XAF/XAF/XAUC48F	2	1125	30.00	23.00	15.20	11.00	29.60	19.20	7.80	6.20	3.68	2.56
				1	650	25.20	17.30		22.20	20.20				3.54	
YH2F30TB21S	TM9V080B12MP12C	17.5	XAH/XAHC36D	2	1075	28.60	21.40	15.20	10.50	28.20	18.30	7.50	5.95	3.58	2.48
				1	750	24.80	17.70		21.65	20.40				3.64	
YH2F30TB21S	TP9C080B12MP13C	17.5	XAH/XAHC36D	2	1075	28.60	21.40	15.20	10.50	28.20	18.30	7.50	5.95	3.58	2.48
				1	750	24.80	17.70		21.65	20.40				3.64	
YH2F30TB21S	YP9C080B12MP13C	17.5	XAH/XAHC36D	2	1075	28.60	21.40	15.20	10.50	28.20	18.30	7.50	5.95	3.58	2.48
				1	750	24.80	17.70		21.65	20.40				3.64	
YH2F30TB21S	TM9E100C16MP12	21.0	XAH/XAHC36D	2	1100	29.00	22.00	15.20	11.00	28.00	18.10	7.80	6.20	3.68	2.54
				1	725	24.80	17.50		22.40	20.20				3.64	
YH2F30TB21S	TM9E060B12MP12	17.5	XAH/XAHC36D	2	1075	28.60	21.40	15.20	11.00	28.20	18.40	7.50	5.95	3.54	2.46
				1	700	24.40	17.00		21.70	20.20				3.56	
YH2F30TB21S	TM9E060A10MP12	17.5	XAH/XAHC36D	2	900	28.00	19.80	14.30	11.00	27.40	17.90	7.50	6.00	3.48	2.46
				1	625	24.00	16.20		21.35	19.90				3.42	
YH2F30TB21S	TM9E040A10MP12	14.5	XAF/XAFA30D	2	825	28.80	19.90	15.20	11.00	28.00	18.60	7.50	6.05	3.42	2.50
				1	600	24.60	16.20		21.45	19.80				3.38	
YH2F30TB21S	TM8Y120C20MP11	21.0	XAH/XAHC36D	2	975	28.60	21.00	15.20	11.70	27.40	17.70	7.80	6.15	3.64	2.56
				1	850	25.40	18.80		21.85	20.80				3.80	
YH2F30TB21S	TM8Y080C16MP11	21.0	XAF/XAFC36D	2	975	29.80	21.80	16.00	12.00	28.00	18.30	7.80	6.20	3.70	2.62
				1	700	25.40	17.50		22.70	20.00				3.62	
YH2F30TB21S	TM8V100C16MP12C	21.0	XAF/XAFC36D	2	1150	30.00	22.80	16.00	11.70	28.80	18.60	8.10	6.25	3.80	2.62
				1	775	26.00	18.40		22.50	20.40				3.74	
YH2F30TB21S	TMLV100C16MP12C	21.0	XAF/XAFC36D	2	1150	30.00	22.80	16.00	11.70	28.80	18.60	8.10	6.25	3.80	2.62
				1	775	26.00	18.40		22.50	20.40				3.74	
YH2F30TB21S	TPLC080C16MP13C	21.0	XAF/XAFC36D	2	1150	30.00	22.80	16.00	11.70	28.80	18.60	8.10	6.25	3.80	2.62
				1	775	26.00	18.40		22.50	20.40				3.74	
YH2F30TB21S	TPLC100C16MP13C	21.0	XAF/XAFC36D	2	1150	30.00	22.80	16.00	11.70	28.80	18.60	8.10	6.25	3.80	2.62
				1	775	26.00	18.40		22.50	20.40				3.74	
YH2F30TB21S	YPLC080C16MP13C	21.0	XAF/XAFC36D	2	1150	30.00	22.80	16.00	11.70	28.80	18.60	8.10	6.25	3.80	2.62
				1	775	26.00	18.40		22.50	20.40				3.74	
YH2F30TB21S	YPLC100C16MP13C	21.0	XAF/XAFC36D	2	1150	30.00	22.80	16.00	11.70	28.80	18.60	8.10	6.25	3.80	2.62
				1	775	26.00	18.40		22.50	20.40				3.74	
YH2F30TB21S	TM8V080B12MP12C	17.5	XAF/XAF/XAUB36D	2	825	29.00	20.20	15.20	11.70	27.60	18.30	7.80	6.25	3.52	2.56
				1	550	24.20	15.60		21.55	19.60				3.32	
YH2F30TB21S	TPLC080B12MP13C	17.5	XAF/XAF/XAUB36D	2	825	29.00	20.20	15.20	11.70	27.60	18.30	7.80	6.25	3.52	2.56
				1	550	24.20	15.60		21.55	19.60				3.32	
YH2F30TB21S	YPLC080B12MP13C	17.5	XAF/XAF/XAUB36D	2	825	29.00	20.20	15.20	11.70	27.60	18.30	7.80	6.25	3.52	2.56
				1	550	24.20	15.60		21.55	19.60				3.32	
YH2F30TB21S	TM8V060A12MP12C	17.5	XAF/XAF/XAUB36D	2	1075	29.80	22.20	15.20	11.70	28.60	18.60	7.80	6.20	3.70	2.58
				1	725	25.60	17.80		22.25	20.20				3.64	

Table 10: Furnace capacity - 2.5 ton

Outdoor unit model	Furnace model	Furnace width (in.)	Indoor coil model	Stage	Rated CFM	Net cool (MBH)	Sens cool (MBH)	SEER2	EER2	Net47 (MBH)	Net17 (MBH)	HSPF2 IV	HSPF2 V	Cop47	Cop17
YH2F30TB21S	TMLV060A12MP12C	17.5	XAF/XAF/XAUB36D	2	1075	29.80	22.20	15.20	11.70	28.60	18.60	7.80	6.20	3.70	2.58
				1	725	25.60	17.80		22.25	20.20				3.64	
YH2F30TB21S	TPLC060A12MP13C	17.5	XAF/XAF/XAUB36D	2	1075	29.80	22.20	15.20	11.70	28.60	18.60	7.80	6.20	3.70	2.58
				1	725	25.60	17.80		22.25	20.20				3.64	
YH2F30TB21S	TM8E100B12MP11	21.0	XAF/XAFC36D	2	950	29.60	21.40	16.00	12.00	28.00	18.30	7.80	6.20	3.64	2.60
				1	675	25.20	17.20		22.35	20.00				3.56	
YH2F30TB21S	TMLE100B12MP11	21.0	XAF/XAFC36D	2	950	29.60	21.40	16.00	12.00	28.00	18.30	7.80	6.20	3.64	2.60
				1	675	25.20	17.20		22.35	20.00				3.56	
YH2F30TB21S	TM8E080C16MP11	21.0	XAH/XAHC36D	2	1075	29.00	21.80	15.20	11.50	27.80	18.00	7.80	6.20	3.68	2.56
				1	750	24.80	17.70		22.55	20.20				3.68	
YH2F30TB21S	TMLE080C16MP11	21.0	XAH/XAHC36D	2	1075	29.00	21.80	15.20	11.50	27.80	18.00	7.80	6.20	3.68	2.56
				1	750	24.80	17.70		22.55	20.20				3.68	
YH2F30TB21S	TL9E080C16UH11	21.0	XAH/XAHC36D	2	1100	29.00	22.00	15.20	11.00	28.00	18.10	7.80	6.15	3.68	2.54
				1	825	25.20	18.50		22.00	20.60				3.78	
YH2F30TB21S	TL9E060B12UH11	21.0	XAF/XAFC36D	2	925	29.40	21.00	15.20	11.70	28.00	18.40	7.80	6.25	3.58	2.56
				1	600	24.60	16.20		21.90	19.80				3.40	
YH2F30TB21S	TL8E060A12UH11	17.5	XAF/XAF/XAUB36D	2	900	29.40	21.00	15.20	11.70	27.80	18.30	7.80	6.25	3.60	2.58
				1	600	24.80	16.40		22.15	19.70				3.42	
YH2F30TB21S	TM9Y100C16MP11	24.5	XAF/XAFD48F	2	975	29.80	21.80	15.20	11.70	28.60	18.30	7.80	6.20	3.74	2.60
				1	575	24.80	16.60		22.05	20.00				3.44	
YH2F30TB21S	TM9Y080C16MP11	21.0	XAH/XAHC48F	2	1000	29.60	22.20	16.00	11.50	27.80	17.80	7.50	5.90	3.68	2.54
				1	650	25.00	17.30		23.20	20.20				3.56	
YH2F30TB21S	TM9Y080B12MP11	21.0	XAH/XAHC48F	2	1075	29.80	22.80	16.00	11.00	28.20	18.10	7.50	5.85	3.68	2.50
				1	725	25.60	18.20		22.95	20.40				3.66	
YH2F30TB21S	TM9Y060B12MP11	21.0	XAF/XAF/XAUC48F	2	1000	29.80	22.00	15.20	11.00	29.00	18.70	7.80	6.20	3.64	2.56
				1	650	25.20	17.30		21.90	20.20				3.52	
YH2F30TB21S	TM9V100C16MP12C	24.5	XAH/XAHD48F	2	1000	29.60	22.20	15.20	11.50	27.80	17.70	7.50	5.85	3.70	2.56
				1	700	25.20	17.70		22.40	20.40				3.62	
YH2F30TB21S	TP9C100C16MP13C	24.5	XAH/XAHD48F	2	1000	29.60	22.20	15.20	11.50	27.80	17.70	7.50	5.85	3.70	2.56
				1	700	25.20	17.70		22.40	20.40				3.62	
YH2F30TB21S	YP9C100C16MP13C	24.5	XAH/XAHD48F	2	1000	29.60	22.20	15.20	11.50	27.80	17.70	7.50	5.85	3.70	2.56
				1	700	25.20	17.70		22.40	20.40				3.62	
YH2F30TB21S	TM9V080B12MP12C	21.0	XAF/XAF/XAUC48F	2	1000	29.80	22.00	15.20	11.70	28.80	18.40	7.80	6.20	3.74	2.60
				1	675	25.40	17.60		21.95	20.20				3.58	
YH2F30TB21S	TP9C080B12MP13C	21.0	XAF/XAF/XAUC48F	2	1000	29.80	22.00	15.20	11.70	28.80	18.40	7.80	6.20	3.74	2.60
				1	675	25.40	17.60		21.95	20.20				3.58	
YH2F30TB21S	TM9E100C16MP12	21.0	XAH/XAHC48F	2	925	29.20	21.40	15.20	11.70	27.60	17.60	7.80	6.20	3.66	2.54
				1	725	25.40	18.00		22.65	20.40				3.66	
YH2F30TB21S	TM8Y080C16MP11	24.5	XAH/XAHD48F	2	1000	29.60	22.20	16.00	11.70	27.80	17.70	7.80	6.15	3.72	2.56
				1	700	25.40	17.90		22.90	20.20				3.64	
YH2F30TB21S	TM8V100C16MP12C	24.5	XAF/XAFD48F	2	1150	30.00	23.20	15.20	11.70	29.20	18.80	8.10	6.20	3.86	2.66
				1	775	26.00	18.70		22.45	20.60				3.74	
YH2F30TB21S	TM8V080C16MP12C	24.5	XAF/XAFD48F	2	1150	30.00	23.20	15.20	11.70	29.20	18.80	8.10	6.20	3.86	2.66
				1	775	26.00	18.70		22.45	20.60				3.74	
YH2F30TB21S	TMLV100C16MP12C	24.5	XAF/XAFD48F	2	1150	30.00	23.20	15.20	11.70	29.20	18.80	8.10	6.20	3.86	2.66
				1	775	26.00	18.70		22.45	20.60				3.74	
YH2F30TB21S	TPLC080C16MP13C	24.5	XAF/XAFD48F	2	1150	30.00	23.20	15.20	11.70	29.20	18.80	8.10	6.20	3.86	2.66
				1	775	26.00	18.70		22.45	20.60				3.74	
YH2F30TB21S	TPLC100C16MP13C	24.5	XAF/XAFD48F	2	1150	30.00	23.20	15.20	11.70	29.20	18.80	8.10	6.20	3.86	2.66
				1	775	26.00	18.70		22.45	20.60				3.74	
YH2F30TB21S	YPLC080C16MP13C	24.5	XAF/XAFD48F	2	1150	30.00	23.20	15.20	11.70	29.20	18.80	8.10	6.20	3.86	2.66
				1	775	26.00	18.70		22.45	20.60				3.74	
YH2F30TB21S	YPLC100C16MP13C	24.5	XAF/XAFD48F	2	1150	30.00	23.20	15.20	11.70	29.20	18.80	8.10	6.20	3.86	2.66
				1	775	26.00	18.70		22.45	20.60				3.74	
YH2F30TB21S	TM8E120C16MP11	24.5	XAH/XAHD48F	2	925	29.20	21.40	15.20	11.70	27.60	17.60	7.80	6.20	3.66	2.54
				1	700	25.20	17.70		22.50	20.40				3.60	
YH2F30TB21S	TMLE120C16MP11	24.5	XAH/XAHD48F	2	925	29.20	21.40	15.20	11.70	27.60	17.60	7.80	6.20	3.66	2.54
				1	700	25.20	17.70		22.50	20.40				3.60	

Table 10: Furnace capacity - 2.5 ton

Outdoor unit model	Furnace model	Furnace width (in.)	Indoor coil model	Stage	Rated CFM	Net cool (MBH)	Sens cool (MBH)	SEER2	EER2	Net47 (MBH)	Net17 (MBH)	HSPF2 IV	HSPF2 V	Cop47	Cop17
YH2F30TB21S	TM8E100C16MP11	21.0	XAF/XAF/XAUC48F	2	900	29.60	21.20	15.20	11.70	28.40	18.10	7.80	6.20	3.70	2.60
				1	725	25.80	18.30		22.30	20.40				3.64	
YH2F30TB21S	TMLE100C16MP11	21.0	XAF/XAF/XAUC48F	2	900	29.60	21.20	15.20	11.70	28.40	18.10	7.80	6.20	3.70	2.60
				1	725	25.80	18.30		22.30	20.40				3.64	
YH2F30TB21S	TM9Y100C16MP11	21.0	XAF/XAFC36D	2	1075	30.00	22.40	16.00	11.70	28.60	18.60	7.80	6.20	3.70	2.58
				1	600	24.80	16.40		22.50	19.70				3.46	
YH2F30TB21S	TM9Y080C16MP11	21.0	XAF/XAFC36D	2	950	29.60	21.40	16.00	11.70	28.00	18.40	7.80	6.25	3.64	2.60
				1	575	24.60	16.10		22.35	19.60				3.40	
YH2F30TB21S	TM9V080C16MP12C	21.0	XAH/XAHC36D	2	1125	29.00	22.20	15.20	11.00	28.20	18.20	7.80	6.20	3.68	2.54
				1	750	24.80	17.70		21.90	20.40				3.66	
YH2F30TB21S	TP9C080C16MP13C	21.0	XAH/XAHC36D	2	1125	29.00	22.20	15.20	11.00	28.20	18.20	7.80	6.20	3.68	2.54
				1	750	24.80	17.70		21.90	20.40				3.66	
YH2F30TB21S	YP9C080C16MP13C	21.0	XAH/XAHC36D	2	1125	29.00	22.20	15.20	11.00	28.20	18.20	7.80	6.20	3.68	2.54
				1	750	24.80	17.70		21.90	20.40				3.66	
YH2F30TB21S	TM9V080B12MP12C	21.0	XAF/XAFC36D	2	1000	29.60	21.60	15.20	11.70	28.20	18.40	7.80	6.20	3.66	2.60
				1	700	25.40	17.50		22.15	20.00				3.60	
YH2F30TB21S	TP9C080B12MP13C	21.0	XAF/XAFC36D	2	1000	29.60	21.60	15.20	11.70	28.20	18.40	7.80	6.20	3.66	2.60
				1	700	25.40	17.50		22.15	20.00				3.60	
YH2F30TB21S	YP9C080B12MP13C	21.0	XAF/XAFC36D	2	1000	29.60	21.60	15.20	11.70	28.20	18.40	7.80	6.20	3.66	2.60
				1	700	25.40	17.50		22.15	20.00				3.60	
YH2F30TB21S	TM9V060B12MP12C	17.5	XAF/XAF/XAUB36D	2	1025	29.60	21.80	15.20	11.00	28.60	18.70	7.50	5.95	3.60	2.54
				1	650	25.00	16.80		21.85	19.90				3.50	
YH2F30TB21S	TP9C060B12MP13C	17.5	XAF/XAF/XAUB36D	2	1025	29.60	21.80	15.20	11.00	28.60	18.70	7.50	5.95	3.60	2.54
				1	650	25.00	16.80		21.85	19.90				3.50	
YH2F30TB21S	YP9C060B12MP13C	17.5	XAF/XAF/XAUB36D	2	1025	29.60	21.80	15.20	11.00	28.60	18.70	7.50	5.95	3.60	2.54
				1	650	25.00	16.80		21.85	19.90				3.50	
YH2F30TB21S	TM9V040A10MP12C	17.5	XAH/XAHC36D	2	900	27.80	19.60	14.30	10.50	27.60	18.00	7.50	6.05	3.44	2.44
				1	575	23.60	15.50		21.00	19.80				3.34	
YH2F30TB21S	TM9E080C16MP12	21.0	XAF/XAFC36D	2	1100	30.00	22.60	16.00	11.70	28.60	18.60	7.80	6.20	3.72	2.60
				1	700	25.40	17.50		22.65	20.00				3.60	
YH2F30TB21S	TM9E080B12MP12	21.0	XAF/XAFC36D	2	925	29.40	21.00	15.20	11.70	28.00	18.30	7.80	6.20	3.62	2.58
				1	725	25.40	17.60		21.90	20.20				3.60	
YH2F30TB21S	TM9E060B12MP12	21.0	XAH/XAHC36D	2	950	28.20	20.40	15.20	11.00	27.60	17.90	7.50	5.95	3.54	2.48
				1	675	24.20	16.70		21.55	20.20				3.50	
YH2F30TB21S	TM9E060A10MP12	17.5	XAF/XAF/XAUB36D	2	1025	29.60	21.80	15.20	11.00	28.60	18.80	7.50	5.95	3.56	2.52
				1	675	25.20	17.20		21.95	20.00				3.52	
YH2F30TB21S	TM8Y060A12MP11	17.5	XAH/XAHC36D	2	950	28.20	20.40	15.20	11.00	27.60	18.00	7.50	5.95	3.52	2.48
				1	625	24.00	16.20		22.00	19.80				3.46	
YH2F30TB21S	TM8V100C16MP12C	21.0	XAH/XAHC36D	2	1200	29.40	23.00	15.20	11.00	28.40	18.40	8.10	6.45	3.74	2.56
				1	800	25.20	18.30		22.20	20.40				3.78	
YH2F30TB21S	TMLV100C16MP12C	21.0	XAH/XAHC36D	2	1200	29.40	23.00	15.20	11.00	28.40	18.40	8.10	6.45	3.74	2.56
				1	800	25.20	18.30		22.20	20.40				3.78	
YH2F30TB21S	TPLC080C16MP13C	21.0	XAH/XAHC36D	2	1200	29.40	23.00	15.20	11.00	28.40	18.40	8.10	6.45	3.74	2.56
				1	800	25.20	18.30		22.20	20.40				3.78	
YH2F30TB21S	TPLC100C16MP13C	21.0	XAH/XAHC36D	2	1200	29.40	23.00	15.20	11.00	28.40	18.40	8.10	6.45	3.74	2.56
				1	800	25.20	18.30		22.20	20.40				3.78	
YH2F30TB21S	YPLC080C16MP13C	21.0	XAH/XAHC36D	2	1200	29.40	23.00	15.20	11.00	28.40	18.40	8.10	6.45	3.74	2.56
				1	800	25.20	18.30		22.20	20.40				3.78	
YH2F30TB21S	YPLC100C16MP13C	21.0	XAH/XAHC36D	2	1200	29.40	23.00	15.20	11.00	28.40	18.40	8.10	6.45	3.74	2.56
				1	800	25.20	18.30		22.20	20.40				3.78	
YH2F30TB21S	TM8V060A12MP12C	17.5	XAH/XAHC36D	2	1075	28.80	21.60	15.20	11.00	28.00	18.20	7.50	5.95	3.60	2.50
				1	725	24.60	17.30		21.90	20.20				3.62	
YH2F30TB21S	TMLV060A12MP12C	17.5	XAH/XAHC36D	2	1075	28.80	21.60	15.20	11.00	28.00	18.20	7.50	5.95	3.60	2.50
				1	725	24.60	17.30		21.90	20.20				3.62	
YH2F30TB21S	TPLC060A12MP13C	17.5	XAH/XAHC36D	2	1075	28.80	21.60	15.20	11.00	28.00	18.20	7.50	5.95	3.60	2.50
				1	725	24.60	17.30		21.90	20.20				3.62	
YH2F30TB21S	TM8E120C16MP11	21.0	XAH/XAHC36D	2	900	28.40	20.20	15.20	11.70	27.00	17.60	7.80	6.20	3.58	2.54
				1	700	24.60	17.20		22.15	20.20				3.58	
YH2F30TB21S	TMLE120C16MP11	21.0	XAH/XAHC36D	2	900	28.40	20.20	15.20	11.70	27.00	17.60	7.80	6.20	3.58	2.54
				1	700	24.60	17.20		22.15	20.20				3.58	

Table 10: Furnace capacity - 2.5 ton

Outdoor unit model	Furnace model	Furnace width (in.)	Indoor coil model	Stage	Rated CFM	Net cool (MBH)	Sens cool (MBH)	SEER2	EER2	Net47 (MBH)	Net17 (MBH)	HSPF2 IV	HSPF2 V	Cop47	Cop17
YH2F30TB21S	TM8E060A12MP11	17.5	XAH/XAHB36D	2	1075	28.80	21.60	15.20	11.00	28.00	18.30	7.50	5.95	3.60	2.50
				1	750	24.80	17.70		21.95	20.40				3.64	
YH2F30TB21S	TMLE060A12MP11	17.5	XAH/XAHB36D	2	1075	28.80	21.60	15.20	11.00	28.00	18.30	7.50	5.95	3.60	2.50
				1	750	24.80	17.70		21.95	20.40				3.64	
YH2F30TB21S	TM8E060A12MP11	17.5	XAF/XAF/XAUB36D	2	1100	30.00	22.60	16.00	11.50	28.80	18.70	7.80	6.20	3.68	2.56
				1	725	25.60	17.80		22.50	20.20				3.64	
YH2F30TB21S	TMLE060A12MP11	17.5	XAF/XAF/XAUB36D	2	1100	30.00	22.60	16.00	11.50	28.80	18.70	7.80	6.20	3.68	2.56
				1	725	25.60	17.80		22.50	20.20				3.64	
YH2F30TB21S	TM8E040A12MP11	14.5	XAF/XAFA30D	2	800	29.00	20.00	15.20	11.70	27.60	18.30	7.80	6.25	3.50	2.56
				1	600	24.60	16.20		21.85	19.80				3.40	
YH2F30TB21S	TMLE040A12MP11	14.5	XAF/XAFA30D	2	800	29.00	20.00	15.20	11.70	27.60	18.30	7.80	6.25	3.50	2.56
				1	600	24.60	16.20		21.85	19.80				3.40	
YH2F30TB21S	TL9E060B12UH11	17.5	XAF/XAF/XAUB36D	2	900	29.20	20.80	15.20	11.70	28.00	18.40	7.80	6.25	3.56	2.56
				1	650	25.00	16.80		21.90	20.00				3.48	
YH2F30TB21S	TL8E080C16UH11	21.0	XAF/XAFC36D	2	1075	30.00	22.40	16.00	11.70	28.40	18.50	8.10	6.45	3.72	2.60
				1	850	26.40	19.10		22.30	20.80				3.82	
YH2F30TB21S	TM9Y120D20MP11	24.5	XAH/XAHD48F	2	1025	29.80	22.40	15.20	11.70	27.80	17.80	7.80	6.15	3.72	2.56
				1	825	26.00	19.10		22.50	20.80				3.78	
YH2F30TB21S	TM9Y100C16MP11	21.0	XAF/XAF/XAUC48F	2	975	29.80	21.80	15.20	11.70	28.60	18.30	7.80	6.20	3.72	2.60
				1	575	24.80	16.60		22.10	20.00				3.44	
YH2F30TB21S	TM9V080C16MP12C	21.0	XAF/XAF/XAUC48F	2	1125	30.00	23.00	15.20	11.50	29.20	18.80	8.10	6.35	3.80	2.62
				1	750	25.80	18.40		22.10	20.40				3.68	
YH2F30TB21S	TP9C080C16MP13C	21.0	XAF/XAF/XAUC48F	2	1125	30.00	23.00	15.20	11.50	29.20	18.80	8.10	6.35	3.80	2.62
				1	750	25.80	18.40		22.10	20.40				3.68	
YH2F30TB21S	YP9C080C16MP13C	21.0	XAF/XAF/XAUC48F	2	1125	30.00	23.00	15.20	11.50	29.20	18.80	8.10	6.35	3.80	2.62
				1	750	25.80	18.40		22.10	20.40				3.68	
YH2F30TB21S	TM9V060B12MP12C	21.0	XAF/XAF/XAUC48F	2	1025	29.80	22.20	15.20	11.00	29.00	18.70	7.80	6.20	3.68	2.56
				1	650	25.20	17.30		21.80	20.20				3.54	
YH2F30TB21S	TP9C060B12MP13C	21.0	XAF/XAF/XAUC48F	2	1025	29.80	22.20	15.20	11.00	29.00	18.70	7.80	6.20	3.68	2.56
				1	650	25.20	17.30		21.80	20.20				3.54	
YH2F30TB21S	YP9C060B12MP13C	21.0	XAF/XAF/XAUC48F	2	1025	29.80	22.20	15.20	11.00	29.00	18.70	7.80	6.20	3.68	2.56
				1	650	25.20	17.30		21.80	20.20				3.54	
YH2F30TB21S	TM9E100C16MP12	24.5	XAF/XAFD48F	2	1125	30.00	23.00	15.20	11.70	29.20	18.80	8.10	6.35	3.82	2.64
				1	750	26.00	18.60		22.60	20.40				3.70	
YH2F30TB21S	TM9E080C16MP12	21.0	XAH/XAHC48F	2	950	29.40	21.80	15.20	11.70	27.60	17.70	7.80	6.20	3.68	2.54
				1	700	25.40	17.90		22.75	20.40				3.62	
YH2F30TB21S	TM9E080B12MP12	21.0	XAH/XAHC48F	2	950	29.20	21.60	15.20	11.50	27.80	17.80	7.50	5.90	3.64	2.52
				1	750	25.60	18.40		22.35	20.60				3.66	
YH2F30TB21S	TM9E060B12MP12	21.0	XAH/XAHC48F	2	975	29.20	21.80	15.20	11.00	28.00	18.00	7.50	5.90	3.60	2.48
				1	725	25.40	18.00		22.25	20.40				3.62	
YH2F30TB21S	TM9E060B12MP12	21.0	XAF/XAF/XAUC48F	2	975	29.60	21.60	15.20	11.00	28.80	18.50	7.80	6.25	3.66	2.56
				1	700	25.40	17.70		21.70	20.40				3.58	
YH2F30TB21S	TM8V100C16MP12C	21.0	XAH/XAHC48F	2	1050	29.80	22.60	16.00	11.50	28.00	17.80	7.50	5.85	3.74	2.56
				1	700	25.40	17.90		22.85	20.20				3.64	
YH2F30TB21S	TMLV100C16MP12C	21.0	XAH/XAHC48F	2	1050	29.80	22.60	16.00	11.50	28.00	17.80	7.50	5.85	3.74	2.56
				1	700	25.40	17.90		22.85	20.20				3.64	
YH2F30TB21S	TPLC080C16MP13C	21.0	XAH/XAHC48F	2	1050	29.80	22.60	16.00	11.50	28.00	17.80	7.50	5.85	3.74	2.56
				1	700	25.40	17.90		22.85	20.20				3.64	
YH2F30TB21S	TPLC100C16MP13C	21.0	XAH/XAHC48F	2	1050	29.80	22.60	16.00	11.50	28.00	17.80	7.50	5.85	3.74	2.56
				1	700	25.40	17.90		22.85	20.20				3.64	
YH2F30TB21S	YPLC080C16MP13C	21.0	XAH/XAHC48F	2	1050	29.80	22.60	16.00	11.50	28.00	17.80	7.50	5.85	3.74	2.56
				1	700	25.40	17.90		22.85	20.20				3.64	
YH2F30TB21S	YPLC100C16MP13C	21.0	XAH/XAHC48F	2	1050	29.80	22.60	16.00	11.50	28.00	17.80	7.50	5.85	3.74	2.56
				1	700	25.40	17.90		22.85	20.20				3.64	
YH2F30TB21S	TM8E120C16MP11	21.0	XAH/XAHC48F	2	950	29.40	21.80	16.00	11.70	27.60	17.60	7.80	6.15	3.68	2.56
				1	750	25.60	18.40		22.90	20.40				3.70	
YH2F30TB21S	TMLE120C16MP11	21.0	XAH/XAHC48F	2	950	29.40	21.80	16.00	11.70	27.60	17.60	7.80	6.15	3.68	2.56
				1	750	25.60	18.40		22.90	20.40				3.70	
YH2F30TB21S	TM8E100C16MP11	21.0	XAH/XAHC48F	2	925	29.20	21.40	16.00	11.70	27.60	17.60	7.80	6.15	3.66	2.54
				1	750	25.60	18.40		22.90	20.40				3.70	

Table 10: Furnace capacity - 2.5 ton

Outdoor unit model	Furnace model	Furnace width (in.)	Indoor coil model	Stage	Rated CFM	Net cool (MBH)	Sens cool (MBH)	SEER2	EER2	Net47 (MBH)	Net17 (MBH)	HSPF2 IV	HSPF2 V	Cop47	Cop17
YH2F30TB21S	TMLE100C16MP11	21.0	XAH/XAHC48F	2	925	29.20	21.40	16.00	11.70	27.60	17.60	7.80	6.15	3.66	2.54
				1	750	25.60	18.40		22.90	20.40				3.70	
YH2F30TB21S	TM8E100B12MP11	21.0	XAF/XAF/XAUC48F	2	950	29.80	21.60	15.20	11.70	28.60	18.30	7.80	6.20	3.70	2.60
				1	675	25.40	17.60		22.25	20.20				3.58	
YH2F30TB21S	TMLE100B12MP11	21.0	XAF/XAF/XAUC48F	2	950	29.80	21.60	15.20	11.70	28.60	18.30	7.80	6.20	3.70	2.60
				1	675	25.40	17.60		22.25	20.20				3.58	
YH2F30TB21S	TM8E080C16MP11	21.0	XAF/XAF/XAUC48F	2	900	29.60	21.20	15.20	11.70	28.40	18.00	7.80	6.20	3.70	2.60
				1	725	25.80	18.30		22.20	20.40				3.64	
YH2F30TB21S	TMLE080C16MP11	21.0	XAF/XAF/XAUC48F	2	900	29.60	21.20	15.20	11.70	28.40	18.00	7.80	6.20	3.70	2.60
				1	725	25.80	18.30		22.20	20.40				3.64	
YH2F30TB21S	TL9E080C16UH11	21.0	XAH/XAHC48F	2	950	29.40	21.80	15.20	11.50	27.60	17.70	7.50	5.85	3.66	2.54
				1	825	26.00	19.10		22.30	20.80				3.76	
YH2F30TB21S	TL9E080C16UH11	24.5	XAF/XAFD48F	2	950	29.80	21.60	15.20	11.70	28.60	18.20	8.10	6.45	3.72	2.62
				1	800	26.20	19.00		21.80	20.80				3.72	
YH2F30TB21S	TL8E080C16UH11	21.0	XAH/XAHC48F	2	950	29.40	21.80	15.20	11.70	27.60	17.60	7.80	6.15	3.68	2.54
				1	825	26.00	19.10		22.25	20.80				3.76	
YH2F30TB21S	TL8E080C16UH11	24.5	XAF/XAFD48F	2	925	29.60	21.40	15.20	11.70	28.60	18.10	7.80	6.20	3.72	2.60
				1	800	26.20	19.00		21.70	20.80				3.70	
YH2F30TB21S	TM8Y100C16MP11	21.0	XAH/XAHC36D	2	950	28.60	20.80	15.20	11.50	27.20	17.70	7.50	5.95	3.62	2.54
				1	675	24.40	16.90		22.40	20.00				3.56	
YH2F30TB21S	TM8Y080B12MP11	21.0	XAF/XAFC36D	2	1050	29.80	22.20	16.00	11.70	28.40	18.50	7.80	6.25	3.68	2.58
				1	650	25.00	16.80		22.45	19.90				3.52	
YH2F30TB21S	TM8Y080B12MP11	17.5	XAF/XAF/XAUB36D	2	1025	29.80	22.00	16.00	11.70	28.40	18.60	7.80	6.20	3.66	2.58
				1	650	25.00	16.80		22.45	19.90				3.52	
YH2F30TB21S	TM8Y100C16MP11	21.0	XAH/XAHC48F	2	1000	29.60	22.20	16.00	11.70	27.80	17.70	7.80	6.15	3.72	2.56
				1	750	25.80	18.60		23.35	20.40				3.74	
YH2F30TB21S	TM8Y080B12MP11	21.0	XAH/XAHC48F	2	1075	29.80	22.80	16.00	11.00	28.20	18.00	7.50	5.85	3.70	2.52
				1	700	25.40	17.90		23.10	20.20				3.64	
YH2F30TB21S	TM8Y080B12MP11	21.0	XAF/XAF/XAUC48F	2	1050	30.00	22.60	15.20	11.70	29.00	18.60	7.80	6.20	3.74	2.60
				1	675	25.40	17.60		22.45	20.20				3.60	
YH2F30TB21S	TM8Y100C20MP11	21.0	XAH/XAHC36D	2	975	28.60	21.00	15.20	11.70	27.40	17.70	7.80	6.15	3.64	2.56
				1	850	25.40	18.80		21.85	20.80				3.80	
YH2F30TB21S	TM8Y100C16MP11	24.5	XAF/XAFD48F	2	1000	30.00	22.20	15.20	11.70	28.60	18.30	8.10	6.45	3.78	2.64
				1	700	25.60	17.90		22.60	20.20				3.64	
YH2F30TB21S	TM8Y080B12MP11	17.5	XAH/XAHC36D	2	1000	28.60	21.00	15.20	11.00	27.60	18.00	7.50	5.95	3.58	2.50
				1	700	24.40	17.00		21.85	20.20				3.56	
YH2F30TB21S	TM8Y100C16MP11	21.0	XAF/XAF/XAUC48F	2	1000	30.00	22.20	15.20	11.70	28.60	18.30	8.10	6.45	3.78	2.64
				1	700	25.60	17.90		22.60	20.20				3.64	
YH2F30TB21S	TM8Y100C16MP11	21.0	XAF/XAFC36D	2	975	29.80	21.80	16.00	12.00	28.00	18.30	7.80	6.20	3.70	2.62
				1	700	25.40	17.50		22.70	20.00				3.62	
YH2F30TB21S	TM8Y100C16MP11	24.5	XAH/XAHD48F	2	1000	29.60	22.20	16.00	11.70	27.80	17.70	7.80	6.15	3.72	2.56
				1	700	25.40	17.90		22.90	20.20				3.64	
YH2F30TB21S	TM8Y080B12MP11	21.0	XAH/XAHC36D	2	1025	28.60	21.20	15.20	11.00	27.80	18.00	7.50	5.95	3.62	2.52
				1	650	24.20	16.50		22.30	19.90				3.52	
YH2F30TB21S	TM8V080B12MP12C	21.0	XAH/XAHC36D	2	1000	28.40	20.80	15.20	10.50	27.80	18.20	7.50	5.55	3.52	2.48
				1	675	24.20	16.70		21.45	20.00				3.52	
YH2F30TB21S	TPLC080B12MP13C	21.0	XAH/XAHC36D	2	1000	28.40	20.80	15.20	10.50	27.80	18.20	7.50	5.55	3.52	2.48
				1	675	24.20	16.70		21.45	20.00				3.52	
YH2F30TB21S	YPLC080B12MP13C	21.0	XAH/XAHC36D	2	1000	28.40	20.80	15.20	10.50	27.80	18.20	7.50	5.55	3.52	2.48
				1	675	24.20	16.70		21.45	20.00				3.52	

Furnace capacity - 3 ton

Table 11: Furnace capacity - 3 ton

Outdoor unit model	Furnace model	Furnace width (in.)	Indoor coil model	Stage	Rated CFM	Net cool (MBH)	Sens cool (MBH)	SEER2	EER2	Net47 (MBH)	Net17 (MBH)	HSPF2 IV	HSPF2 V	Cop47	Cop17
YH2F36TB21S	YPLC060A12MP13C	17.5	XAF/XAF/XAUB36D	2	1250	34.20	25.00	14.30	10.50	35.00	22.40	7.50	5.95	3.54	2.40
				1	850	29.00	20.00		19.75	25.20				3.56	
YH2F36TB21S	YPLC060A12MP13C	17.5	XAH/XAHB36D	2	1150	33.60	24.40	14.30	11.00	34.00	22.60	7.50	5.95	3.44	2.46
				1	775	28.80	19.60		20.55	25.00				3.38	
YH2F36TB21S	YPLC060A12MP13C	14.5	XAFA30D	2	1150	33.60	23.80	14.30	10.50	34.80	22.20	7.50	5.95	3.50	2.40
				1	775	28.40	19.10		19.30	25.00				3.46	
YH2F36TB21S	TM9V100C16MP12C	21.0	XAH/XAHC36D	2	1100	33.80	24.40	15.20	11.70	33.40	22.00	7.80	6.20	3.52	2.54
				1	750	28.80	19.50		20.85	24.80				3.36	
YH2F36TB21S	TP9C100C16MP13C	21.0	XAH/XAHC36D	2	1100	33.80	24.40	15.20	11.70	33.40	22.00	7.80	6.20	3.52	2.54
				1	750	28.80	19.50		20.85	24.80				3.36	
YH2F36TB21S	YP9C100C16MP13C	21.0	XAH/XAHC36D	2	1100	33.80	24.40	15.20	11.70	33.40	22.00	7.80	6.20	3.52	2.54
				1	750	28.80	19.50		20.85	24.80				3.36	
YH2F36TB21S	TM9E060A10MP12	17.5	XAF/XAF/XAUB36D	2	1025	33.20	22.60	14.30	11.00	34.40	22.00	7.50	6.00	3.48	2.40
				1	675	27.40	17.80		19.15	24.60				3.32	
YH2F36TB21S	TM8V100C16MP12C	21.0	XAH/XAHC36D	2	1200	34.00	25.20	15.20	11.70	33.80	22.20	7.80	6.25	3.56	2.52
				1	800	29.20	20.20		20.95	25.00				3.42	
YH2F36TB21S	TM8V080C16MP12C	21.0	XAH/XAHC36D	2	1200	34.00	25.20	15.20	11.70	33.80	22.20	7.80	6.25	3.56	2.52
				1	800	29.20	20.20		20.95	25.00				3.42	
YH2F36TB21S	TMLV100C16MP12C	21.0	XAH/XAHC36D	2	1200	34.00	25.20	15.20	11.70	33.80	22.20	7.80	6.25	3.56	2.52
				1	800	29.20	20.20		20.95	25.00				3.42	
YH2F36TB21S	TPLC080C16MP13C	21.0	XAH/XAHC36D	2	1200	34.00	25.20	15.20	11.70	33.80	22.20	7.80	6.25	3.56	2.52
				1	800	29.20	20.20		20.95	25.00				3.42	
YH2F36TB21S	TPLC100C16MP13C	21.0	XAH/XAHC36D	2	1200	34.00	25.20	15.20	11.70	33.80	22.20	7.80	6.25	3.56	2.52
				1	800	29.20	20.20		20.95	25.00				3.42	
YH2F36TB21S	YPLC080C16MP13C	21.0	XAH/XAHC36D	2	1200	34.00	25.20	15.20	11.70	33.80	22.20	7.80	6.25	3.56	2.52
				1	800	29.20	20.20		20.95	25.00				3.42	
YH2F36TB21S	YPLC100C16MP13C	21.0	XAH/XAHC36D	2	1200	34.00	25.20	15.20	11.70	33.80	22.20	7.80	6.25	3.56	2.52
				1	800	29.20	20.20		20.95	25.00				3.42	
YH2F36TB21S	TM8V080C16MP12C	21.0	XAF/XAFC36D	2	1375	35.00	26.40	14.30	11.00	35.00	22.40	7.80	6.20	3.64	2.44
				1	875	29.40	20.60		20.15	25.20				3.64	
YH2F36TB21S	TM8E080B12MP11	17.5	XAH/XAHB36D	2	1075	33.40	23.80	14.30	11.00	33.60	22.40	7.50	6.00	3.44	2.48
				1	675	28.20	18.50		20.70	24.60				3.26	
YH2F36TB21S	TMLE080B12MP11	17.5	XAH/XAHB36D	2	1075	33.40	23.80	14.30	11.00	33.60	22.40	7.50	6.00	3.44	2.48
				1	675	28.20	18.50		20.70	24.60				3.26	
YH2F36TB21S	TM8E040A12MP11	14.5	XAFA30D	2	1025	33.40	22.80	14.30	11.00	34.20	22.00	7.50	6.00	3.52	2.42
				1	625	27.00	17.20		19.25	24.40				3.28	
YH2F36TB21S	TMLE040A12MP11	14.5	XAFA30D	2	1025	33.40	22.80	14.30	11.00	34.20	22.00	7.50	6.00	3.52	2.42
				1	625	27.00	17.20		19.25	24.40				3.28	
YH2F36TB21S	TL8E080C16UH11	21.0	XAF/XAFC36D	2	1400	35.00	26.60	15.20	11.00	35.20	22.40	7.50	5.90	3.62	2.42
				1	900	29.60	20.80		20.40	25.40				3.66	
YH2F36TB21S	TL8E060A12UH11	14.5	XAFA30D	2	1050	33.40	23.00	14.30	11.00	34.40	22.00	7.50	6.00	3.50	2.42
				1	600	26.80	16.90		19.15	24.20				3.26	
YH2F36TB21S	TM9V100C20MP12C	24.5	XAH/XAHD48F	2	1375	36.00	28.00	15.20	11.70	34.60	22.60	7.80	6.15	3.66	2.56
				1	825	30.20	21.40		21.65	25.20				3.52	
YH2F36TB21S	TP9C100C20MP13C	24.5	XAH/XAHD48F	2	1375	36.00	28.00	15.20	11.70	34.60	22.60	7.80	6.15	3.66	2.56
				1	825	30.20	21.40		21.65	25.20				3.52	
YH2F36TB21S	YP9C100C20MP13C	24.5	XAH/XAHD48F	2	1375	36.00	28.00	15.20	11.70	34.60	22.60	7.80	6.15	3.66	2.56
				1	825	30.20	21.40		21.65	25.20				3.52	
YH2F36TB21S	TM9E100C16MP12	21.0	XAF/XAF/XAUC48F	2	1125	34.20	24.40	14.30	11.00	34.00	22.20	7.80	6.20	3.60	2.50
				1	750	29.00	19.30		20.10	25.00				3.52	
YH2F36TB21S	TM9E080C16MP12	21.0	XAH/XAHC48F	2	1125	35.40	25.80	15.20	12.00	34.00	22.20	7.80	6.20	3.56	2.54
				1	750	29.60	20.40		21.75	25.00				3.44	
YH2F36TB21S	TM9E060B12MP12	21.0	XAF/XAF/XAUC48F	2	1150	34.00	24.40	14.30	10.50	34.60	22.60	7.50	6.00	3.48	2.42
				1	725	28.60	18.80		19.70	25.00				3.46	
YH2F36TB21S	TM8Y080C16MP11	21.0	XAF/XAF/XAUC48F	2	1400	35.40	27.20	14.30	11.00	35.00	23.00	7.80	6.20	3.66	2.50
				1	750	29.00	19.30		20.60	25.00				3.54	
YH2F36TB21S	TM8V120C20MP12C	21.0	XAH/XAHC48F	2	1425	36.00	28.20	16.00	11.70	34.80	22.60	7.80	6.10	3.70	2.56
				1	975	31.40	23.20		22.35	25.60				3.74	

Table 11: Furnace capacity - 3 ton

Outdoor unit model	Furnace model	Furnace width (in.)	Indoor coil model	Stage	Rated CFM	Net cool (MBH)	Sens cool (MBH)	SEER2	EER2	Net47 (MBH)	Net17 (MBH)	HSPF2 IV	HSPF2 V	Cop47	Cop17
YH2F36TB21S	TM8V100C20MP12C	21.0	XAH/XAHC48F	2	1425	36.00	28.20	16.00	11.70	34.80	22.60	7.80	6.10	3.70	2.56
				1	975	31.40	23.20		22.35	25.60				3.74	
YH2F36TB21S	TMLV120C20MP12C	21.0	XAH/XAHC48F	2	1425	36.00	28.20	16.00	11.70	34.80	22.60	7.80	6.10	3.70	2.56
				1	975	31.40	23.20		22.35	25.60				3.74	
YH2F36TB21S	TPLC100C20MP13C	21.0	XAH/XAHC48F	2	1425	36.00	28.20	16.00	11.70	34.80	22.60	7.80	6.10	3.70	2.56
				1	975	31.40	23.20		22.35	25.60				3.74	
YH2F36TB21S	TPLC120C20MP13C	21.0	XAH/XAHC48F	2	1425	36.00	28.20	16.00	11.70	34.80	22.60	7.80	6.10	3.70	2.56
				1	975	31.40	23.20		22.35	25.60				3.74	
YH2F36TB21S	YPLC100C20MP13C	21.0	XAH/XAHC48F	2	1425	36.00	28.20	16.00	11.70	34.80	22.60	7.80	6.10	3.70	2.56
				1	975	31.40	23.20		22.35	25.60				3.74	
YH2F36TB21S	YPLC120C20MP13C	21.0	XAH/XAHC48F	2	1425	36.00	28.20	16.00	11.70	34.80	22.60	7.80	6.10	3.70	2.56
				1	975	31.40	23.20		22.35	25.60				3.74	
YH2F36TB21S	TM8V080C16MP12C	21.0	XAF/XAF/XAUC48F	2	1375	35.20	26.80	14.30	11.00	35.00	22.80	7.80	6.15	3.68	2.50
				1	875	29.80	20.60		20.25	25.40				3.68	
YH2F36TB21S	TM8E080C16MP11	21.0	XAH/XAHC48F	2	1125	35.60	26.00	16.00	12.00	34.00	22.00	7.80	6.20	3.60	2.56
				1	800	30.00	21.00		21.85	25.20				3.50	
YH2F36TB21S	TMLE080C16MP11	21.0	XAH/XAHC48F	2	1125	35.60	26.00	16.00	12.00	34.00	22.00	7.80	6.20	3.60	2.56
				1	800	30.00	21.00		21.85	25.20				3.50	
YH2F36TB21S	TL8E100C20UH11	21.0	XAF/XAF/XAUC48F	2	1250	35.00	26.00	15.20	11.70	34.40	22.40	7.80	6.15	3.68	2.54
				1	975	30.40	21.60		20.45	25.80				3.80	
YH2F36TB21S	TM9Y100C16MP11	21.0	XAH/XAHC36D	2	1075	33.60	24.00	15.20	11.70	33.40	22.20	7.80	6.20	3.48	2.50
				1	875	29.60	21.00		20.65	25.40				3.48	
YH2F36TB21S	TM9Y080C16MP11	21.0	XAF/XAFC36D	2	1250	34.40	25.20	14.30	11.00	34.80	22.20	7.50	6.00	3.60	2.44
				1	625	27.00	17.20		19.65	24.40				3.30	
YH2F36TB21S	TM9Y060B12MP11	17.5	XAH/XAHC36D	2	1025	33.20	23.20	14.30	11.00	33.60	22.40	7.50	6.00	3.38	2.44
				1	650	28.00	18.10		20.55	24.60				3.22	
YH2F36TB21S	TM9V080C16MP12C	21.0	XAF/XAFC36D	2	1400	35.00	26.60	14.30	10.50	35.20	22.60	7.50	5.90	3.60	2.42
				1	900	29.60	20.80		19.90	25.40				3.64	
YH2F36TB21S	TP9C080C16MP13C	21.0	XAF/XAFC36D	2	1400	35.00	26.60	14.30	10.50	35.20	22.60	7.50	5.90	3.60	2.42
				1	900	29.60	20.80		19.90	25.40				3.64	
YH2F36TB21S	YP9C080C16MP13C	21.0	XAF/XAFC36D	2	1400	35.00	26.60	14.30	10.50	35.20	22.60	7.50	5.90	3.60	2.42
				1	900	29.60	20.80		19.90	25.40				3.64	
YH2F36TB21S	TM9E080B12MP12	21.0	XAF/XAFC36D	2	1200	34.00	24.40	14.30	11.00	34.80	22.20	7.50	5.95	3.54	2.42
				1	775	28.40	19.10		19.80	25.00				3.48	
YH2F36TB21S	TM8Y120C20MP11	21.0	XAF/XAFC36D	2	1175	34.40	24.80	15.20	11.70	34.20	21.80	7.80	6.20	3.66	2.48
				1	925	29.80	21.00		20.40	25.40				3.70	
YH2F36TB21S	TM8Y060A12MP11	14.5	XAFA30D	2	950	33.00	22.00	14.30	11.00	34.00	21.80	7.50	6.00	3.48	2.42
				1	600	26.80	16.90		18.95	24.40				3.24	
YH2F36TB21S	TM8V100C16MP12C	21.0	XAF/XAFC36D	2	1400	35.20	26.80	14.30	11.00	35.20	22.40	7.50	5.95	3.66	2.44
				1	875	29.40	20.60		20.15	25.20				3.64	
YH2F36TB21S	TMLV100C16MP12C	21.0	XAF/XAFC36D	2	1400	35.20	26.80	14.30	11.00	35.20	22.40	7.50	5.95	3.66	2.44
				1	875	29.40	20.60		20.15	25.20				3.64	
YH2F36TB21S	TPLC080C16MP13C	21.0	XAF/XAFC36D	2	1400	35.20	26.80	14.30	11.00	35.20	22.40	7.50	5.95	3.66	2.44
				1	875	29.40	20.60		20.15	25.20				3.64	
YH2F36TB21S	TPLC100C16MP13C	21.0	XAF/XAFC36D	2	1400	35.20	26.80	14.30	11.00	35.20	22.40	7.50	5.95	3.66	2.44
				1	875	29.40	20.60		20.15	25.20				3.64	
YH2F36TB21S	YPLC080C16MP13C	21.0	XAF/XAFC36D	2	1400	35.20	26.80	14.30	11.00	35.20	22.40	7.50	5.95	3.66	2.44
				1	875	29.40	20.60		20.15	25.20				3.64	
YH2F36TB21S	YPLC100C16MP13C	21.0	XAF/XAFC36D	2	1400	35.20	26.80	14.30	11.00	35.20	22.40	7.50	5.95	3.66	2.44
				1	875	29.40	20.60		20.15	25.20				3.64	
YH2F36TB21S	TM8V080B12MP12C	21.0	XAH/XAHC36D	2	1000	33.20	23.20	14.30	11.00	33.40	22.20	7.50	6.00	3.40	2.46
				1	675	28.20	18.50		20.25	24.60				3.24	
YH2F36TB21S	TPLC080B12MP13C	21.0	XAH/XAHC36D	2	1000	33.20	23.20	14.30	11.00	33.40	22.20	7.50	6.00	3.40	2.46
				1	675	28.20	18.50		20.25	24.60				3.24	
YH2F36TB21S	YPLC080B12MP13C	21.0	XAH/XAHC36D	2	1000	33.20	23.20	14.30	11.00	33.40	22.20	7.50	6.00	3.40	2.46
				1	675	28.20	18.50		20.25	24.60				3.24	
YH2F36TB21S	TM8E100C16MP11	21.0	XAH/XAHC36D	2	1100	33.80	24.40	15.20	11.70	33.40	22.20	7.80	6.20	3.52	2.52
				1	850	29.40	20.60		20.95	25.20				3.48	
YH2F36TB21S	TMLE100C16MP11	21.0	XAH/XAHC36D	2	1100	33.80	24.40	15.20	11.70	33.40	22.20	7.80	6.20	3.52	2.52
				1	850	29.40	20.60		20.95	25.20				3.48	

Table 11: Furnace capacity - 3 ton

Outdoor unit model	Furnace model	Furnace width (in.)	Indoor coil model	Stage	Rated CFM	Net cool (MBH)	Sens cool (MBH)	SEER2	EER2	Net47 (MBH)	Net17 (MBH)	HSPF2 IV	HSPF2 V	Cop47	Cop17
YH2F36TB21S	TM8E100C16MP11	21.0	XAF/XAFC36D	2	1125	34.00	24.00	14.30	11.50	34.20	21.80	7.50	5.95	3.62	2.48
				1	750	28.20	18.80		20.00	24.80				3.46	
YH2F36TB21S	TMLE100C16MP11	21.0	XAF/XAFC36D	2	1125	34.00	24.00	14.30	11.50	34.20	21.80	7.50	5.95	3.62	2.48
				1	750	28.20	18.80		20.00	24.80				3.46	
YH2F36TB21S	TM8E080B12MP11	21.0	XAH/XAHC36D	2	1200	33.80	25.00	15.20	11.00	34.20	22.60	7.50	6.00	3.48	2.46
				1	700	28.40	18.80		21.00	24.60				3.30	
YH2F36TB21S	TMLE080B12MP11	21.0	XAH/XAHC36D	2	1200	33.80	25.00	15.20	11.00	34.20	22.60	7.50	6.00	3.48	2.46
				1	700	28.40	18.80		21.00	24.60				3.30	
YH2F36TB21S	TM8E060A12MP11	17.5	XAF/XAF/XAUB36D	2	1100	33.80	23.60	14.30	11.00	34.40	22.00	7.50	5.95	3.54	2.44
				1	725	28.00	18.50		19.65	24.80				3.42	
YH2F36TB21S	TMLE060A12MP11	17.5	XAF/XAF/XAUB36D	2	1100	33.80	23.60	14.30	11.00	34.40	22.00	7.50	5.95	3.54	2.44
				1	725	28.00	18.50		19.65	24.80				3.42	
YH2F36TB21S	TM8E040A12MP11	17.5	XAH/XAHC36D	2	1050	33.60	23.80	15.20	11.50	33.40	22.20	7.50	6.00	3.46	2.50
				1	625	27.80	17.80		20.75	24.40				3.20	
YH2F36TB21S	TMLE040A12MP11	17.5	XAH/XAHC36D	2	1050	33.60	23.80	15.20	11.50	33.40	22.20	7.50	6.00	3.46	2.50
				1	625	27.80	17.80		20.75	24.40				3.20	
YH2F36TB21S	TL9E060B12UH11	21.0	XAH/XAHC36D	2	900	33.00	22.20	14.30	11.50	33.00	22.00	7.50	6.00	3.38	2.48
				1	600	27.60	17.50		20.40	24.40				3.16	
YH2F36TB21S	TL8E060A12UH11	17.5	XAH/XAHC36D	2	1050	33.40	23.60	14.30	11.00	33.60	22.40	7.50	6.00	3.42	2.48
				1	600	27.60	17.50		20.65	24.20				3.16	
YH2F36TB21S	TM9Y120D20MP11	24.5	XAH/XAHD48F	2	1225	35.80	26.80	16.00	12.00	34.20	22.20	7.80	6.15	3.62	2.56
				1	900	30.80	22.40		21.95	25.40				3.62	
YH2F36TB21S	TM9Y080C16MP11	24.5	XAF/XAFD48F	2	1125	34.20	24.40	14.30	11.00	34.20	22.20	7.50	5.95	3.58	2.48
				1	625	28.00	17.90		20.05	24.60				3.36	
YH2F36TB21S	TM9V100C20MP12C	24.5	XAF/XAFD48F	2	1375	35.20	26.80	14.30	11.00	34.80	22.80	7.80	6.15	3.70	2.52
				1	825	29.40	20.00		20.25	25.20				3.62	
YH2F36TB21S	TP9C100C20MP13C	24.5	XAF/XAFD48F	2	1375	35.20	26.80	14.30	11.00	34.80	22.80	7.80	6.15	3.70	2.52
				1	825	29.40	20.00		20.25	25.20				3.62	
YH2F36TB21S	YP9C100C20MP13C	24.5	XAF/XAFD48F	2	1375	35.20	26.80	14.30	11.00	34.80	22.80	7.80	6.15	3.70	2.52
				1	825	29.40	20.00		20.25	25.20				3.62	
YH2F36TB21S	TM9V100C20MP12C	21.0	XAF/XAF/XAUC48F	2	1375	35.20	26.80	14.30	11.00	34.80	22.80	7.80	6.15	3.68	2.52
				1	825	29.40	20.00		20.25	25.20				3.62	
YH2F36TB21S	TP9C100C20MP13C	21.0	XAF/XAF/XAUC48F	2	1375	35.20	26.80	14.30	11.00	34.80	22.80	7.80	6.15	3.68	2.52
				1	825	29.40	20.00		20.25	25.20				3.62	
YH2F36TB21S	YP9C100C20MP13C	21.0	XAF/XAF/XAUC48F	2	1375	35.20	26.80	14.30	11.00	34.80	22.80	7.80	6.15	3.68	2.52
				1	825	29.40	20.00		20.25	25.20				3.62	
YH2F36TB21S	TM9V100C16MP12C	21.0	XAH/XAHC48F	2	1250	35.80	26.80	15.20	11.70	34.20	22.40	7.80	6.15	3.64	2.56
				1	850	30.40	21.60		21.75	25.20				3.56	
YH2F36TB21S	TP9C100C16MP13C	21.0	XAH/XAHC48F	2	1250	35.80	26.80	15.20	11.70	34.20	22.40	7.80	6.15	3.64	2.56
				1	850	30.40	21.60		21.75	25.20				3.56	
YH2F36TB21S	YP9C100C16MP13C	21.0	XAH/XAHC48F	2	1250	35.80	26.80	15.20	11.70	34.20	22.40	7.80	6.15	3.64	2.56
				1	850	30.40	21.60		21.75	25.20				3.56	
YH2F36TB21S	TM8V080B12MP12C	21.0	XAF/XAF/XAUC48F	2	1100	33.80	24.00	14.30	10.50	34.40	22.60	7.50	6.00	3.48	2.44
				1	725	28.60	18.80		19.45	25.00				3.46	
YH2F36TB21S	TPLC080B12MP13C	21.0	XAF/XAF/XAUC48F	2	1100	33.80	24.00	14.30	10.50	34.40	22.60	7.50	6.00	3.48	2.44
				1	725	28.60	18.80		19.45	25.00				3.46	
YH2F36TB21S	YPLC080B12MP13C	21.0	XAF/XAF/XAUC48F	2	1100	33.80	24.00	14.30	10.50	34.40	22.60	7.50	6.00	3.48	2.44
				1	725	28.60	18.80		19.45	25.00				3.46	
YH2F36TB21S	TM8E120C16MP11	24.5	XAH/XAHD48F	2	1150	35.60	26.20	15.20	12.00	34.00	22.20	7.80	6.15	3.60	2.56
				1	1000	31.40	23.40		21.15	26.00				3.68	
YH2F36TB21S	TMLE120C16MP11	24.5	XAH/XAHD48F	2	1150	35.60	26.20	15.20	12.00	34.00	22.20	7.80	6.15	3.60	2.56
				1	1000	31.40	23.40		21.15	26.00				3.68	
YH2F36TB21S	TM8E100B12MP11	21.0	XAH/XAHC48F	2	1125	35.40	25.80	15.20	11.70	34.00	22.20	7.80	6.20	3.54	2.52
				1	875	30.40	21.80		21.35	25.60				3.54	
YH2F36TB21S	TMLE100B12MP11	21.0	XAH/XAHC48F	2	1125	35.40	25.80	15.20	11.70	34.00	22.20	7.80	6.20	3.54	2.52
				1	875	30.40	21.80		21.35	25.60				3.54	
YH2F36TB21S	TM8E080C16MP11	24.5	XAH/XAHD48F	2	1100	35.40	25.60	15.20	12.00	33.80	22.00	7.80	6.15	3.58	2.54
				1	775	29.80	20.60		21.60	25.00				3.46	
YH2F36TB21S	TMLE080C16MP11	24.5	XAH/XAHD48F	2	1100	35.40	25.60	15.20	12.00	33.80	22.00	7.80	6.15	3.58	2.54
				1	775	29.80	20.60		21.60	25.00				3.46	

Table 11: Furnace capacity - 3 ton

Outdoor unit model	Furnace model	Furnace width (in.)	Indoor coil model	Stage	Rated CFM	Net cool (MBH)	Sens cool (MBH)	SEER2	EER2	Net47 (MBH)	Net17 (MBH)	HSPF2 IV	HSPF2 V	Cop47	Cop17
YH2F36TB21S	TM8E080C16MP11	24.5	XAF/XAFD48F	2	1100	34.20	24.40	14.30	11.50	34.00	22.00	7.80	6.20	3.60	2.50
				1	775	29.20	19.60		20.20	25.00				3.54	
YH2F36TB21S	TMLE080C16MP11	24.5	XAF/XAFD48F	2	1100	34.20	24.40	14.30	11.50	34.00	22.00	7.80	6.20	3.60	2.50
				1	775	29.20	19.60		20.20	25.00				3.54	
YH2F36TB21S	TL9E080C16UH11	21.0	XAF/XAF/XAUC48F	2	1300	35.00	26.20	14.30	11.00	34.80	22.80	7.80	6.20	3.62	2.50
				1	875	29.80	20.60		20.25	25.40				3.66	
YH2F36TB21S	TL9E060B12UH11	21.0	XAH/XAHC48F	2	925	34.40	23.40	15.20	11.70	33.60	22.00	7.80	6.30	3.46	2.50
				1	650	28.60	18.70		21.00	24.80				3.28	
YH2F36TB21S	TM9Y080B12MP11	21.0	XAF/XAFC36D	2	1175	34.00	24.40	14.30	10.50	34.80	22.20	7.50	6.00	3.52	2.40
				1	700	27.80	18.30		19.65	24.60				3.38	
YH2F36TB21S	TM9Y060B12MP11	21.0	XAF/XAFC36D	2	1100	33.60	23.40	14.30	11.00	34.60	22.20	7.50	6.00	3.48	2.40
				1	675	27.40	17.80		19.40	24.60				3.34	
YH2F36TB21S	TM9V100C20MP12C	21.0	XAF/XAFC36D	2	1400	35.20	26.80	14.30	11.00	35.00	22.20	7.50	5.95	3.68	2.46
				1	825	29.00	19.90		20.10	25.00				3.58	
YH2F36TB21S	TP9C100C20MP13C	21.0	XAF/XAFC36D	2	1400	35.20	26.80	14.30	11.00	35.00	22.20	7.50	5.95	3.68	2.46
				1	825	29.00	19.90		20.10	25.00				3.58	
YH2F36TB21S	YP9C100C20MP13C	21.0	XAF/XAFC36D	2	1400	35.20	26.80	14.30	11.00	35.00	22.20	7.50	5.95	3.68	2.46
				1	825	29.00	19.90		20.10	25.00				3.58	
YH2F36TB21S	TM9V080B12MP12C	17.5	XAH/XAHB36D	2	1100	33.40	24.00	14.30	11.00	33.80	22.40	7.50	6.00	3.42	2.46
				1	750	28.60	19.30		20.40	24.80				3.34	
YH2F36TB21S	TP9C080B12MP13C	17.5	XAH/XAHB36D	2	1100	33.40	24.00	14.30	11.00	33.80	22.40	7.50	6.00	3.42	2.46
				1	750	28.60	19.30		20.40	24.80				3.34	
YH2F36TB21S	YP9C080B12MP13C	17.5	XAH/XAHB36D	2	1100	33.40	24.00	14.30	11.00	33.80	22.40	7.50	6.00	3.42	2.46
				1	750	28.60	19.30		20.40	24.80				3.34	
YH2F36TB21S	TM9V060B12MP12C	21.0	XAH/XAHC36D	2	1125	33.60	24.40	14.30	11.00	34.00	22.60	7.50	6.00	3.44	2.46
				1	700	28.40	18.80		20.50	24.60				3.28	
YH2F36TB21S	TP9C060B12MP13C	21.0	XAH/XAHC36D	2	1125	33.60	24.40	14.30	11.00	34.00	22.60	7.50	6.00	3.44	2.46
				1	700	28.40	18.80		20.50	24.60				3.28	
YH2F36TB21S	YP9C060B12MP13C	21.0	XAH/XAHC36D	2	1125	33.60	24.40	14.30	11.00	34.00	22.60	7.50	6.00	3.44	2.46
				1	700	28.40	18.80		20.50	24.60				3.28	
YH2F36TB21S	TM9V060B12MP12C	21.0	XAF/XAFC36D	2	1125	33.60	23.60	14.30	10.50	34.60	22.20	7.50	5.95	3.52	2.42
				1	700	27.60	18.10		19.25	24.60				3.38	
YH2F36TB21S	TP9C060B12MP13C	21.0	XAF/XAFC36D	2	1125	33.60	23.60	14.30	10.50	34.60	22.20	7.50	5.95	3.52	2.42
				1	700	27.60	18.10		19.25	24.60				3.38	
YH2F36TB21S	YP9C060B12MP13C	21.0	XAF/XAFC36D	2	1125	33.60	23.60	14.30	10.50	34.60	22.20	7.50	5.95	3.52	2.42
				1	700	27.60	18.10		19.25	24.60				3.38	
YH2F36TB21S	TM9E060B12MP12	21.0	XAH/XAHC36D	2	1125	33.60	24.40	14.30	11.00	34.00	22.60	7.50	6.00	3.42	2.46
				1	700	28.40	18.80		20.55	24.80				3.28	
YH2F36TB21S	TM8Y080C16MP11	21.0	XAH/XAHC36D	2	1175	34.20	25.20	15.20	11.70	33.80	22.20	7.80	6.20	3.54	2.52
				1	725	28.60	19.10		21.40	24.60				3.36	
YH2F36TB21S	TM8Y080C16MP11	21.0	XAF/XAFC36D	2	1200	34.40	24.80	15.20	11.70	34.40	21.80	7.80	6.20	3.64	2.48
				1	900	29.60	20.80		20.15	25.40				3.64	
YH2F36TB21S	TM8V080B12MP12C	21.0	XAF/XAFC36D	2	1100	33.40	23.20	14.30	10.50	34.60	22.20	7.50	6.00	3.48	2.40
				1	725	27.80	18.30		19.15	24.80				3.40	
YH2F36TB21S	TPLC080B12MP13C	21.0	XAF/XAFC36D	2	1100	33.40	23.20	14.30	10.50	34.60	22.20	7.50	6.00	3.48	2.40
				1	725	27.80	18.30		19.15	24.80				3.40	
YH2F36TB21S	YPLC080B12MP13C	21.0	XAF/XAFC36D	2	1100	33.40	23.20	14.30	10.50	34.60	22.20	7.50	6.00	3.48	2.40
				1	725	27.80	18.30		19.15	24.80				3.40	
YH2F36TB21S	TM8V060A12MP12C	17.5	XAF/XAF/XAUB36D	2	1250	34.20	25.00	14.30	10.50	35.00	22.40	7.50	5.95	3.54	2.40
				1	850	29.00	20.00		19.75	25.20				3.56	
YH2F36TB21S	TMLV060A12MP12C	17.5	XAF/XAF/XAUB36D	2	1250	34.20	25.00	14.30	10.50	35.00	22.40	7.50	5.95	3.54	2.40
				1	850	29.00	20.00		19.75	25.20				3.56	
YH2F36TB21S	TPLC060A12MP13C	17.5	XAF/XAF/XAUB36D	2	1250	34.20	25.00	14.30	10.50	35.00	22.40	7.50	5.95	3.54	2.40
				1	850	29.00	20.00		19.75	25.20				3.56	
YH2F36TB21S	TM8E100B12MP11	21.0	XAH/XAHC36D	2	925	33.20	22.60	15.20	11.70	32.80	22.00	7.80	6.25	3.42	2.50
				1	650	28.00	18.10		20.65	24.40				3.22	
YH2F36TB21S	TMLE100B12MP11	21.0	XAH/XAHC36D	2	925	33.20	22.60	15.20	11.70	32.80	22.00	7.80	6.25	3.42	2.50
				1	650	28.00	18.10		20.65	24.40				3.22	
YH2F36TB21S	TM8E100B12MP11	17.5	XAH/XAHB36D	2	1075	33.60	24.00	14.30	11.00	33.60	22.20	7.50	6.00	3.46	2.48
				1	650	28.00	18.10		20.70	24.40				3.22	

Table 11: Furnace capacity - 3 ton

Outdoor unit model	Furnace model	Furnace width (in.)	Indoor coil model	Stage	Rated CFM	Net cool (MBH)	Sens cool (MBH)	SEER2	EER2	Net47 (MBH)	Net17 (MBH)	HSPF2 IV	HSPF2 V	Cop47	Cop17
YH2F36TB21S	TMLE100B12MP11	17.5	XAH/XAHB36D	2	1075	33.60	24.00	14.30	11.00	33.60	22.20	7.50	6.00	3.46	2.48
				1	650	28.00	18.10		20.70	24.40				3.22	
YH2F36TB21S	TM8E080B12MP11	21.0	XAF/XAFC36D	2	1200	34.00	24.40	14.30	10.50	34.80	22.20	7.50	5.95	3.54	2.42
				1	725	28.00	18.50		19.80	24.60				3.42	
YH2F36TB21S	TMLE080B12MP11	21.0	XAF/XAFC36D	2	1200	34.00	24.40	14.30	10.50	34.80	22.20	7.50	5.95	3.54	2.42
				1	725	28.00	18.50		19.80	24.60				3.42	
YH2F36TB21S	TL9E100C20UH11	21.0	XAH/XAHC36D	2	1200	34.20	25.40	15.20	11.70	33.80	22.20	7.80	6.20	3.56	2.52
				1	1000	30.60	22.60		20.95	25.80				3.66	
YH2F36TB21S	TL9E080C16UH11	21.0	XAH/XAHC36D	2	1100	33.80	24.40	15.20	11.70	33.60	22.20	7.80	6.20	3.50	2.52
				1	825	29.20	20.20		20.80	25.20				3.44	
YH2F36TB21S	TL8E100C20UH11	21.0	XAF/XAFC36D	2	1225	34.60	25.20	15.20	11.70	34.40	21.80	7.80	6.15	3.68	2.48
				1	950	30.00	21.40		20.40	25.60				3.72	
YH2F36TB21S	TM9Y080C16MP11	24.5	XAH/XAHD48F	2	1275	35.80	27.00	15.20	11.70	34.60	22.60	7.80	6.20	3.58	2.52
				1	925	30.80	22.40		21.40	25.60				3.60	
YH2F36TB21S	TM9Y080C16MP11	21.0	XAH/XAHC48F	2	1275	35.80	27.00	15.20	11.70	34.60	22.60	7.80	6.20	3.58	2.52
				1	950	31.00	22.80		21.60	25.80				3.64	
YH2F36TB21S	TM9V120D20MP12C	24.5	XAH/XAHD48F	2	1250	36.00	27.00	15.20	12.00	34.20	22.20	7.80	6.15	3.66	2.58
				1	800	30.00	21.00		21.65	25.20				3.50	
YH2F36TB21S	TP9C120D20MP13C	24.5	XAH/XAHD48F	2	1250	36.00	27.00	15.20	12.00	34.20	22.20	7.80	6.15	3.66	2.58
				1	800	30.00	21.00		21.65	25.20				3.50	
YH2F36TB21S	YP9C120D20MP13C	24.5	XAH/XAHD48F	2	1250	36.00	27.00	15.20	12.00	34.20	22.20	7.80	6.15	3.66	2.58
				1	800	30.00	21.00		21.65	25.20				3.50	
YH2F36TB21S	TM9E100C16MP12	24.5	XAH/XAHD48F	2	1125	35.40	25.80	15.20	12.00	34.00	22.20	7.80	6.20	3.56	2.54
				1	875	30.40	21.80		21.40	25.60				3.54	
YH2F36TB21S	TM9E080B12MP12	21.0	XAH/XAHC48F	2	1125	35.20	25.60	15.20	11.70	34.20	22.40	7.80	6.20	3.52	2.50
				1	800	30.00	21.00		21.50	25.20				3.48	
YH2F36TB21S	TM9E080B12MP12	21.0	XAF/XAF/XAUC48F	2	1225	34.40	25.20	14.30	11.00	34.60	22.80	7.80	6.20	3.56	2.46
				1	775	29.00	19.40		19.95	25.20				3.52	
YH2F36TB21S	TM8Y080C16MP11	21.0	XAH/XAHC48F	2	1225	35.80	26.80	16.00	12.00	34.20	22.20	7.80	6.15	3.62	2.56
				1	950	31.20	23.00		22.00	25.60				3.68	
YH2F36TB21S	TM8V100C16MP12C	24.5	XAF/XAFD48F	2	1425	35.40	27.40	14.30	11.00	35.20	23.00	7.80	6.15	3.68	2.50
				1	900	30.00	21.00		20.30	25.40				3.72	
YH2F36TB21S	TM8V080C16MP12C	24.5	XAF/XAFD48F	2	1425	35.40	27.40	14.30	11.00	35.20	23.00	7.80	6.15	3.68	2.50
				1	900	30.00	21.00		20.30	25.40				3.72	
YH2F36TB21S	TMLV100C16MP12C	24.5	XAF/XAFD48F	2	1425	35.40	27.40	14.30	11.00	35.20	23.00	7.80	6.15	3.68	2.50
				1	900	30.00	21.00		20.30	25.40				3.72	
YH2F36TB21S	TPLC080C16MP13C	24.5	XAF/XAFD48F	2	1425	35.40	27.40	14.30	11.00	35.20	23.00	7.80	6.15	3.68	2.50
				1	900	30.00	21.00		20.30	25.40				3.72	
YH2F36TB21S	TPLC100C16MP13C	24.5	XAF/XAFD48F	2	1425	35.40	27.40	14.30	11.00	35.20	23.00	7.80	6.15	3.68	2.50
				1	900	30.00	21.00		20.30	25.40				3.72	
YH2F36TB21S	YPLC080C16MP13C	24.5	XAF/XAFD48F	2	1425	35.40	27.40	14.30	11.00	35.20	23.00	7.80	6.15	3.68	2.50
				1	900	30.00	21.00		20.30	25.40				3.72	
YH2F36TB21S	YPLC100C16MP13C	24.5	XAF/XAFD48F	2	1425	35.40	27.40	14.30	11.00	35.20	23.00	7.80	6.15	3.68	2.50
				1	900	30.00	21.00		20.30	25.40				3.72	
YH2F36TB21S	TM8V080B12MP12C	21.0	XAH/XAHC48F	2	1000	34.60	24.20	15.20	11.70	34.00	22.20	7.80	6.25	3.46	2.48
				1	675	28.80	19.10		20.80	24.80				3.32	
YH2F36TB21S	TPLC080B12MP13C	21.0	XAH/XAHC48F	2	1000	34.60	24.20	15.20	11.70	34.00	22.20	7.80	6.25	3.46	2.48
				1	675	28.80	19.10		20.80	24.80				3.32	
YH2F36TB21S	YPLC080B12MP13C	21.0	XAH/XAHC48F	2	1000	34.60	24.20	15.20	11.70	34.00	22.20	7.80	6.25	3.46	2.48
				1	675	28.80	19.10		20.80	24.80				3.32	
YH2F36TB21S	TM8E120C16MP11	21.0	XAF/XAF/XAUC48F	2	1150	34.40	24.80	14.30	11.50	34.00	22.20	7.80	6.15	3.62	2.52
				1	775	29.20	19.60		20.30	25.00				3.56	
YH2F36TB21S	TMLE120C16MP11	21.0	XAF/XAF/XAUC48F	2	1150	34.40	24.80	14.30	11.50	34.00	22.20	7.80	6.15	3.62	2.52
				1	775	29.20	19.60		20.30	25.00				3.56	
YH2F36TB21S	TM8E100C16MP11	24.5	XAH/XAHD48F	2	1125	35.40	25.80	15.20	12.00	34.00	22.20	7.80	6.20	3.58	2.54
				1	875	30.40	21.80		21.55	25.40				3.56	
YH2F36TB21S	TMLE100C16MP11	24.5	XAH/XAHD48F	2	1125	35.40	25.80	15.20	12.00	34.00	22.20	7.80	6.20	3.58	2.54
				1	875	30.40	21.80		21.55	25.40				3.56	
YH2F36TB21S	TL8E100C20UH11	24.5	XAH/XAHD48F	2	1250	36.00	27.00	16.00	12.00	34.20	22.20	7.80	6.10	3.66	2.58
				1	975	31.40	23.20		22.00	25.80				3.70	

Table 11: Furnace capacity - 3 ton

Outdoor unit model	Furnace model	Furnace width (in.)	Indoor coil model	Stage	Rated CFM	Net cool (MBH)	Sens cool (MBH)	SEER2	EER2	Net47 (MBH)	Net17 (MBH)	HSPF2 IV	HSPF2 V	Cop47	Cop17
YH2F36TB21S	TM9Y080B12MP11	17.5	XAH/XAHB36D	2	1000	33.20	23.20	14.30	11.00	33.40	22.20	7.50	6.00	3.40	2.48
				1	650	28.00	18.10		20.55	24.40				3.22	
YH2F36TB21S	TM9Y080B12MP11	17.5	XAF/XAF/XAUB36D	2	1175	34.00	24.40	14.30	11.00	34.80	22.20	7.50	6.00	3.52	2.40
				1	700	27.80	18.30		19.65	24.60				3.38	
YH2F36TB21S	TM9Y060B12MP11	21.0	XAH/XAHC36D	2	1075	33.40	23.80	14.30	11.00	33.80	22.60	7.50	6.00	3.40	2.44
				1	675	28.20	18.50		20.75	24.60				3.26	
YH2F36TB21S	TM9Y060B12MP11	17.5	XAF/XAF/XAUB36D	2	1075	33.40	23.20	14.30	11.00	34.60	22.20	7.50	6.00	3.48	2.40
				1	675	27.40	17.80		19.35	24.60				3.34	
YH2F36TB21S	TM9V080B12MP12C	21.0	XAH/XAHC36D	2	1200	33.80	25.00	15.20	11.00	34.20	22.60	7.50	5.95	3.48	2.48
				1	800	29.00	19.90		20.75	25.00				3.42	
YH2F36TB21S	TP9C080B12MP13C	21.0	XAH/XAHC36D	2	1200	33.80	25.00	15.20	11.00	34.20	22.60	7.50	5.95	3.48	2.48
				1	800	29.00	19.90		20.75	25.00				3.42	
YH2F36TB21S	YP9C080B12MP13C	21.0	XAH/XAHC36D	2	1200	33.80	25.00	15.20	11.00	34.20	22.60	7.50	5.95	3.48	2.48
				1	800	29.00	19.90		20.75	25.00				3.42	
YH2F36TB21S	TM9V080B12MP12C	21.0	XAF/XAFC36D	2	1200	34.00	24.40	14.30	10.50	34.80	22.20	7.50	6.00	3.56	2.42
				1	800	28.60	19.40		19.65	25.00				3.52	
YH2F36TB21S	TP9C080B12MP13C	21.0	XAF/XAFC36D	2	1200	34.00	24.40	14.30	10.50	34.80	22.20	7.50	6.00	3.56	2.42
				1	800	28.60	19.40		19.65	25.00				3.52	
YH2F36TB21S	YP9C080B12MP13C	21.0	XAF/XAFC36D	2	1200	34.00	24.40	14.30	10.50	34.80	22.20	7.50	6.00	3.56	2.42
				1	800	28.60	19.40		19.65	25.00				3.52	
YH2F36TB21S	TM8Y120C20MP11	21.0	XAH/XAHC36D	2	1150	34.20	25.00	15.20	11.70	33.60	22.20	7.80	6.20	3.56	2.54
				1	900	29.80	21.20		21.20	25.40				3.56	
YH2F36TB21S	TM8V060A12MP12C	17.5	XAH/XAHB36D	2	1150	33.60	24.40	14.30	11.00	34.00	22.60	7.50	5.95	3.44	2.46
				1	775	28.80	19.60		20.55	25.00				3.38	
YH2F36TB21S	TMLV060A12MP12C	17.5	XAH/XAHB36D	2	1150	33.60	24.40	14.30	11.00	34.00	22.60	7.50	5.95	3.44	2.46
				1	775	28.80	19.60		20.55	25.00				3.38	
YH2F36TB21S	TPLC060A12MP13C	17.5	XAH/XAHB36D	2	1150	33.60	24.40	14.30	11.00	34.00	22.60	7.50	5.95	3.44	2.46
				1	775	28.80	19.60		20.55	25.00				3.38	
YH2F36TB21S	TM8V060A12MP12C	14.5	XAFA30D	2	1150	33.60	23.80	14.30	10.50	34.80	22.20	7.50	5.95	3.50	2.40
				1	775	28.40	19.10		19.30	25.00				3.46	
YH2F36TB21S	TMLV060A12MP12C	14.5	XAFA30D	2	1150	33.60	23.80	14.30	10.50	34.80	22.20	7.50	5.95	3.50	2.40
				1	775	28.40	19.10		19.30	25.00				3.46	
YH2F36TB21S	TPLC060A12MP13C	14.5	XAFA30D	2	1150	33.60	23.80	14.30	10.50	34.80	22.20	7.50	5.95	3.50	2.40
				1	775	28.40	19.10		19.30	25.00				3.46	
YH2F36TB21S	TM8E100B12MP11	21.0	XAF/XAFC36D	2	1100	33.80	23.60	14.30	11.00	34.20	22.00	7.50	5.95	3.56	2.44
				1	700	27.80	18.30		19.75	24.60				3.40	
YH2F36TB21S	TMLE100B12MP11	21.0	XAF/XAFC36D	2	1100	33.80	23.60	14.30	11.00	34.20	22.00	7.50	5.95	3.56	2.44
				1	700	27.80	18.30		19.75	24.60				3.40	
YH2F36TB21S	TM8E060A12MP11	17.5	XAH/XAHB36D	2	1075	33.40	23.80	15.20	11.00	33.60	22.40	7.50	6.00	3.44	2.48
				1	700	28.40	18.80		20.75	24.60				3.28	
YH2F36TB21S	TMLE060A12MP11	17.5	XAH/XAHB36D	2	1075	33.40	23.80	15.20	11.00	33.60	22.40	7.50	6.00	3.44	2.48
				1	700	28.40	18.80		20.75	24.60				3.28	
YH2F36TB21S	TL9E100C20UH11	21.0	XAF/XAFC36D	2	1225	34.60	25.20	14.30	11.50	34.40	22.00	7.80	6.20	3.66	2.48
				1	1000	30.40	22.00		20.10	25.80				3.76	
YH2F36TB21S	TL8E100C20UH11	21.0	XAH/XAHC36D	2	1200	34.20	25.40	15.20	11.70	33.80	22.20	7.80	6.20	3.58	2.54
				1	925	30.00	21.60		21.20	25.40				3.58	
YH2F36TB21S	TM9Y080C16MP11	21.0	XAF/XAF/XAUC48F	2	1250	34.60	25.60	14.30	11.00	34.60	22.80	7.50	5.95	3.58	2.48
				1	650	28.20	18.20		20.25	24.60				3.40	
YH2F36TB21S	TM9Y080B12MP11	21.0	XAH/XAHC48F	2	1075	35.00	25.00	15.20	11.70	34.00	22.20	7.80	6.20	3.52	2.50
				1	725	29.40	19.90		21.45	25.00				3.40	
YH2F36TB21S	TM9V100C16MP12C	21.0	XAF/XAF/XAUC48F	2	1325	35.20	26.60	14.30	11.00	34.60	22.60	7.80	6.15	3.70	2.52
				1	875	29.80	20.60		20.20	25.40				3.68	
YH2F36TB21S	TP9C100C16MP13C	21.0	XAF/XAF/XAUC48F	2	1325	35.20	26.60	14.30	11.00	34.60	22.60	7.80	6.15	3.70	2.52
				1	875	29.80	20.60		20.20	25.40				3.68	
YH2F36TB21S	YP9C100C16MP13C	21.0	XAF/XAF/XAUC48F	2	1325	35.20	26.60	14.30	11.00	34.60	22.60	7.80	6.15	3.70	2.52
				1	875	29.80	20.60		20.20	25.40				3.68	
YH2F36TB21S	TM9V080C16MP12C	21.0	XAH/XAHC48F	2	1225	35.60	26.60	15.20	11.70	34.40	22.40	7.80	6.20	3.58	2.52
				1	800	30.00	21.00		21.45	25.20				3.48	
YH2F36TB21S	TP9C080C16MP13C	21.0	XAH/XAHC48F	2	1225	35.60	26.60	15.20	11.70	34.40	22.40	7.80	6.20	3.58	2.52
				1	800	30.00	21.00		21.45	25.20				3.48	

Table 11: Furnace capacity - 3 ton

Outdoor unit model	Furnace model	Furnace width (in.)	Indoor coil model	Stage	Rated CFM	Net cool (MBH)	Sens cool (MBH)	SEER2	EER2	Net47 (MBH)	Net17 (MBH)	HSPF2 IV	HSPF2 V	Cop47	Cop17
YH2F36TB21S	YP9C080C16MP13C	21.0	XAH/XAHC48F	2	1225	35.60	26.60	15.20	11.70	34.40	22.40	7.80	6.20	3.58	2.52
				1	800	30.00	21.00		21.45	25.20				3.48	
YH2F36TB21S	TM9V060B12MP12C	21.0	XAF/XAF/XAUC48F	2	1125	33.80	24.00	14.30	10.50	34.40	22.40	7.50	5.95	3.50	2.44
				1	700	28.40	18.60		19.55	25.00				3.44	
YH2F36TB21S	TP9C060B12MP13C	21.0	XAF/XAF/XAUC48F	2	1125	33.80	24.00	14.30	10.50	34.40	22.40	7.50	5.95	3.50	2.44
				1	700	28.40	18.60		19.55	25.00				3.44	
YH2F36TB21S	YP9C060B12MP13C	21.0	XAF/XAF/XAUC48F	2	1125	33.80	24.00	14.30	10.50	34.40	22.40	7.50	5.95	3.50	2.44
				1	700	28.40	18.60		19.55	25.00				3.44	
YH2F36TB21S	TM9E080C16MP12	24.5	XAF/XAFD48F	2	1425	35.40	27.40	14.30	11.00	35.40	23.20	7.80	6.15	3.62	2.46
				1	750	29.00	19.30		20.40	25.00				3.52	
YH2F36TB21S	TM9E080C16MP12	21.0	XAF/XAF/XAUC48F	2	1425	35.40	27.40	14.30	11.00	35.40	23.20	7.80	6.15	3.62	2.48
				1	750	29.00	19.30		20.40	25.00				3.52	
YH2F36TB21S	TM8Y080C16MP11	24.5	XAF/XAFD48F	2	1400	35.40	27.20	14.30	11.00	35.00	23.00	7.80	6.20	3.66	2.50
				1	750	29.00	19.30		20.60	25.00				3.54	
YH2F36TB21S	TM8Y080C16MP11	24.5	XAH/XAHD48F	2	1200	35.60	26.40	15.20	12.00	34.20	22.40	7.80	6.20	3.60	2.54
				1	900	30.60	22.20		21.60	25.60				3.60	
YH2F36TB21S	TM8E120C16MP11	21.0	XAH/XAHC48F	2	1150	35.60	26.20	16.00	12.00	34.00	22.20	7.80	6.15	3.60	2.56
				1	900	30.80	22.40		21.80	25.60				3.60	
YH2F36TB21S	TMLE120C16MP11	21.0	XAH/XAHC48F	2	1150	35.60	26.20	16.00	12.00	34.00	22.20	7.80	6.15	3.60	2.56
				1	900	30.80	22.40		21.80	25.60				3.60	
YH2F36TB21S	TM8E120C16MP11	24.5	XAF/XAFD48F	2	1150	34.40	24.80	14.30	11.50	34.00	22.20	7.80	6.15	3.62	2.52
				1	775	29.20	19.60		20.30	25.00				3.56	
YH2F36TB21S	TMLE120C16MP11	24.5	XAF/XAFD48F	2	1150	34.40	24.80	14.30	11.50	34.00	22.20	7.80	6.15	3.62	2.52
				1	775	29.20	19.60		20.30	25.00				3.56	
YH2F36TB21S	TM8E100C16MP11	21.0	XAF/XAF/XAUC48F	2	1125	34.40	24.60	14.30	11.50	34.00	22.20	7.80	6.20	3.60	2.50
				1	750	29.00	19.30		20.20	25.00				3.52	
YH2F36TB21S	TMLE100C16MP11	21.0	XAF/XAF/XAUC48F	2	1125	34.40	24.60	14.30	11.50	34.00	22.20	7.80	6.20	3.60	2.50
				1	750	29.00	19.30		20.20	25.00				3.52	
YH2F36TB21S	TL9E080C16UH11	24.5	XAF/XAFD48F	2	1300	35.00	26.20	14.30	11.00	34.80	22.80	7.80	6.20	3.64	2.50
				1	875	29.80	20.60		20.25	25.40				3.66	
YH2F36TB21S	TL8E080C16UH11	24.5	XAH/XAHD48F	2	1250	35.80	26.80	15.20	11.70	34.40	22.40	7.80	6.15	3.60	2.54
				1	900	30.80	22.40		21.75	25.60				3.60	
YH2F36TB21S	TL8E080C16UH11	24.5	XAF/XAFD48F	2	1250	34.80	25.80	14.30	11.00	34.40	22.60	7.80	6.20	3.64	2.50
				1	900	30.00	21.00		20.25	25.60				3.70	
YH2F36TB21S	TM9Y100C16MP11	21.0	XAF/XAFC36D	2	1250	34.40	25.20	14.30	11.00	34.80	22.20	7.50	5.95	3.60	2.44
				1	900	29.60	20.80		19.95	25.40				3.62	
YH2F36TB21S	TM9Y080C16MP11	21.0	XAH/XAHC36D	2	1075	33.60	24.00	15.20	11.70	33.40	22.20	7.80	6.20	3.48	2.50
				1	875	29.60	21.00		20.50	25.40				3.48	
YH2F36TB21S	TM9V080C16MP12C	21.0	XAH/XAHC36D	2	1400	34.40	26.80	15.20	10.50	35.00	23.00	7.80	6.20	3.56	2.46
				1	900	29.80	21.20		20.80	25.40				3.54	
YH2F36TB21S	TP9C080C16MP13C	21.0	XAH/XAHC36D	2	1400	34.40	26.80	15.20	10.50	35.00	23.00	7.80	6.20	3.56	2.46
				1	900	29.80	21.20		20.80	25.40				3.54	
YH2F36TB21S	TM9V080B12MP12C	17.5	XAF/XAF/XAUB36D	2	1200	34.00	24.40	14.30	10.50	34.80	22.20	7.50	5.95	3.54	2.42
				1	800	28.60	19.40		19.60	25.00				3.50	
YH2F36TB21S	TP9C080B12MP13C	17.5	XAF/XAF/XAUB36D	2	1200	34.00	24.40	14.30	10.50	34.80	22.20	7.50	5.95	3.54	2.42
				1	800	28.60	19.40		19.60	25.00				3.50	
YH2F36TB21S	TM9V060B12MP12C	17.5	XAH/XAHC36D	2	1025	33.20	23.20	14.30	11.00	33.60	22.40	7.50	6.00	3.38	2.46
				1	650	28.00	18.10		20.25	24.60				3.22	
YH2F36TB21S	TP9C060B12MP13C	17.5	XAH/XAHC36D	2	1025	33.20	23.20	14.30	11.00	33.60	22.40	7.50	6.00	3.38	2.46
				1	650	28.00	18.10		20.25	24.60				3.22	
YH2F36TB21S	YP9C060B12MP13C	17.5	XAH/XAHC36D	2	1025	33.20	23.20	14.30	11.00	33.60	22.40	7.50	6.00	3.38	2.46
				1	650	28.00	18.10		20.25	24.60				3.22	
YH2F36TB21S	TM9V060B12MP12C	17.5	XAF/XAF/XAUB36D	2	1125	33.60	23.60	14.30	10.50	34.60	22.20	7.50	6.00	3.50	2.40
				1	700	27.60	18.10		19.20	24.60				3.38	
YH2F36TB21S	TP9C060B12MP13C	17.5	XAF/XAF/XAUB36D	2	1125	33.60	23.60	14.30	10.50	34.60	22.20	7.50	6.00	3.50	2.40
				1	700	27.60	18.10		19.20	24.60				3.38	

Table 11: Furnace capacity - 3 ton

Outdoor unit model	Furnace model	Furnace width (in.)	Indoor coil model	Stage	Rated CFM	Net cool (MBH)	Sens cool (MBH)	SEER2	EER2	Net47 (MBH)	Net17 (MBH)	HSPF2 IV	HSPF2 V	Cop47	Cop17
YH2F36TB21S	YP9C060B12MP13C	17.5	XAF/XAF/XAUB36D	2	1125	33.60	23.60	14.30	10.50	34.60	22.20	7.50	6.00	3.50	2.40
				1	700	27.60	18.10		19.20	24.60				3.38	
YH2F36TB21S	TM9E100C16MP12	21.0	XAH/XAHC36D	2	1100	33.80	24.40	15.20	11.70	33.60	22.20	7.80	6.20	3.50	2.52
				1	850	29.40	20.60		20.85	25.20				3.46	
YH2F36TB21S	TM9E080C16MP12	21.0	XAH/XAHC36D	2	1100	33.80	24.40	15.20	11.70	33.60	22.20	7.80	6.20	3.50	2.52
				1	825	29.20	20.20		20.85	25.20				3.44	
YH2F36TB21S	TM9E080B12MP12	17.5	XAH/XAHC36D	2	1075	33.40	23.80	14.30	11.00	33.60	22.40	7.50	6.00	3.42	2.48
				1	725	28.60	19.10		20.55	24.80				3.30	
YH2F36TB21S	TM9E060B12MP12	21.0	XAF/XAFC36D	2	1125	33.60	23.60	14.30	11.00	34.60	22.20	7.50	6.00	3.50	2.40
				1	725	28.00	18.50		19.40	24.80				3.40	
YH2F36TB21S	TM9E060B12MP12	17.5	XAF/XAF/XAUB36D	2	1125	33.80	23.80	14.30	11.00	34.60	22.20	7.50	6.00	3.50	2.40
				1	725	28.00	18.50		19.40	24.80				3.40	
YH2F36TB21S	TM9E060A10MP12	17.5	XAH/XAHC36D	2	900	32.80	22.00	14.30	11.00	33.00	22.20	7.50	6.05	3.36	2.46
				1	625	27.80	17.80		20.10	24.40				3.16	
YH2F36TB21S	TM8Y060A12MP11	17.5	XAH/XAHC36D	2	950	33.00	22.60	14.30	11.50	33.20	22.20	7.50	6.00	3.38	2.48
				1	625	27.80	17.80		20.60	24.40				3.20	
YH2F36TB21S	TM8V080B12MP12C	17.5	XAH/XAHC36D	2	1000	33.00	23.00	14.30	11.00	33.60	22.40	7.50	6.00	3.36	2.44
				1	675	28.00	18.30		20.10	24.60				3.22	
YH2F36TB21S	TPLC080B12MP13C	17.5	XAH/XAHC36D	2	1000	33.00	23.00	14.30	11.00	33.60	22.40	7.50	6.00	3.36	2.44
				1	675	28.00	18.30		20.10	24.60				3.22	
YH2F36TB21S	YPLC080B12MP13C	17.5	XAH/XAHC36D	2	1000	33.00	23.00	14.30	11.00	33.60	22.40	7.50	6.00	3.36	2.44
				1	675	28.00	18.30		20.10	24.60				3.22	
YH2F36TB21S	TM8E120C16MP11	21.0	XAH/XAHC36D	2	1100	33.80	24.40	15.20	11.70	33.40	22.00	7.80	6.20	3.52	2.52
				1	850	29.40	20.60		21.00	25.20				3.48	
YH2F36TB21S	TMLE120C16MP11	21.0	XAH/XAHC36D	2	1100	33.80	24.40	15.20	11.70	33.40	22.00	7.80	6.20	3.52	2.52
				1	850	29.40	20.60		21.00	25.20				3.48	
YH2F36TB21S	TM8E120C16MP11	21.0	XAF/XAFC36D	2	1125	34.20	24.20	14.30	11.50	34.20	21.80	7.50	5.95	3.62	2.48
				1	750	28.20	18.80		19.95	24.80				3.46	
YH2F36TB21S	TMLE120C16MP11	21.0	XAF/XAFC36D	2	1125	34.20	24.20	14.30	11.50	34.20	21.80	7.50	5.95	3.62	2.48
				1	750	28.20	18.80		19.95	24.80				3.46	
YH2F36TB21S	TM8E060A12MP11	14.5	XAFA30D	2	1050	33.40	23.00	14.30	11.00	34.40	22.00	7.50	5.95	3.50	2.42
				1	700	27.60	18.10		19.40	24.60				3.38	
YH2F36TB21S	TMLE060A12MP11	14.5	XAFA30D	2	1050	33.40	23.00	14.30	11.00	34.40	22.00	7.50	5.95	3.50	2.42
				1	700	27.60	18.10		19.40	24.60				3.38	
YH2F36TB21S	TM8E040A12MP11	17.5	XAF/XAF/XAUB36D	2	1075	33.80	23.60	14.30	11.00	34.20	21.80	7.50	5.95	3.56	2.44
				1	650	27.20	17.50		19.55	24.40				3.32	
YH2F36TB21S	TMLE040A12MP11	17.5	XAF/XAF/XAUB36D	2	1075	33.80	23.60	14.30	11.00	34.20	21.80	7.50	5.95	3.56	2.44
				1	650	27.20	17.50		19.55	24.40				3.32	
YH2F36TB21S	TL9E080C16UH11	21.0	XAF/XAFC36D	2	1275	34.60	25.60	14.30	11.00	34.80	22.20	7.50	5.95	3.62	2.44
				1	875	29.40	20.60		20.20	25.20				3.62	
YH2F36TB21S	TL9E060B12UH11	21.0	XAF/XAFC36D	2	1100	33.60	23.40	14.30	10.50	34.60	22.20	7.50	6.00	3.50	2.40
				1	650	27.20	17.50		19.40	24.40				3.32	
YH2F36TB21S	TL9E060B12UH11	17.5	XAF/XAF/XAUB36D	2	900	32.80	21.60	14.30	11.00	33.80	21.80	7.50	6.00	3.48	2.44
				1	600	26.80	16.90		18.90	24.40				3.24	
YH2F36TB21S	TL8E060A12UH11	17.5	XAF/XAF/XAUB36D	2	1100	33.80	23.60	14.30	11.00	34.40	22.00	7.50	5.95	3.54	2.44
				1	650	27.40	17.70		19.60	24.40				3.34	
YH2F36TB21S	TM9Y100C16MP11	24.5	XAF/XAFD48F	2	1275	34.80	26.00	14.30	11.00	34.80	22.80	7.80	6.20	3.60	2.48
				1	925	30.00	21.00		20.05	25.60				3.70	
YH2F36TB21S	TM9Y100C16MP11	21.0	XAF/XAF/XAUC48F	2	1250	34.60	25.60	14.30	11.00	34.60	22.60	7.50	5.95	3.58	2.48
				1	625	28.20	18.10		20.10	24.60				3.38	
YH2F36TB21S	TM9Y060B12MP11	21.0	XAF/XAF/XAUC48F	2	1125	34.00	24.20	14.30	10.50	34.60	22.60	7.50	5.95	3.48	2.42
				1	675	28.40	18.50		19.75	24.80				3.40	
YH2F36TB21S	TM9V120D20MP12C	24.5	XAF/XAFD48F	2	1400	35.60	27.40	15.20	11.00	34.80	22.60	8.10	6.30	3.74	2.54
				1	900	30.00	21.00		20.50	25.40				3.74	
YH2F36TB21S	TP9C120D20MP13C	24.5	XAF/XAFD48F	2	1400	35.60	27.40	15.20	11.00	34.80	22.60	8.10	6.30	3.74	2.54
				1	900	30.00	21.00		20.50	25.40				3.74	
YH2F36TB21S	YP9C120D20MP13C	24.5	XAF/XAFD48F	2	1400	35.60	27.40	15.20	11.00	34.80	22.60	8.10	6.30	3.74	2.54
				1	900	30.00	21.00		20.50	25.40				3.74	
YH2F36TB21S	TM9V100C16MP12C	24.5	XAF/XAFD48F	2	1325	35.20	26.60	14.30	11.00	34.60	22.60	7.80	6.15	3.70	2.54
				1	875	29.80	20.60		20.25	25.40				3.68	

Table 11: Furnace capacity - 3 ton

Outdoor unit model	Furnace model	Furnace width (in.)	Indoor coil model	Stage	Rated CFM	Net cool (MBH)	Sens cool (MBH)	SEER2	EER2	Net47 (MBH)	Net17 (MBH)	HSPF2 IV	HSPF2 V	Cop47	Cop17
YH2F36TB21S	TP9C100C16MP13C	24.5	XAF/XAFD48F	2	1325	35.20	26.60	14.30	11.00	34.60	22.60	7.80	6.15	3.70	2.54
				1	875	29.80	20.60		20.25	25.40					
YH2F36TB21S	YP9C100C16MP13C	24.5	XAF/XAFD48F	2	1325	35.20	26.60	14.30	11.00	34.60	22.60	7.80	6.15	3.70	2.54
				1	875	29.80	20.60		20.25	25.40					
YH2F36TB21S	TM9V080C16MP12C	24.5	XAF/XAFD48F	2	1400	35.20	27.00	14.30	10.50	35.20	23.00	7.80	6.15	3.64	2.48
				1	900	29.80	20.80		19.95	25.60					
YH2F36TB21S	TP9C080C16MP13C	24.5	XAF/XAFD48F	2	1400	35.20	27.00	14.30	10.50	35.20	23.00	7.80	6.15	3.64	2.48
				1	900	29.80	20.80		19.95	25.60					
YH2F36TB21S	YP9C080C16MP13C	24.5	XAF/XAFD48F	2	1400	35.20	27.00	14.30	10.50	35.20	23.00	7.80	6.15	3.64	2.48
				1	900	29.80	20.80		19.95	25.60					
YH2F36TB21S	TM9V080B12MP12C	21.0	XAH/XAHC48F	2	1100	35.20	25.40	15.20	11.70	34.00	22.20	7.80	6.20	3.54	2.52
				1	750	29.40	20.20		21.30	25.00					
YH2F36TB21S	TP9C080B12MP13C	21.0	XAH/XAHC48F	2	1100	35.20	25.40	15.20	11.70	34.00	22.20	7.80	6.20	3.54	2.52
				1	750	29.40	20.20		21.30	25.00					
YH2F36TB21S	YP9C080B12MP13C	21.0	XAH/XAHC48F	2	1100	35.20	25.40	15.20	11.70	34.00	22.20	7.80	6.20	3.54	2.52
				1	750	29.40	20.20		21.30	25.00					
YH2F36TB21S	TM9E100C16MP12	21.0	XAH/XAHC48F	2	1125	35.40	25.80	15.20	12.00	34.00	22.20	7.80	6.15	3.58	2.54
				1	775	29.80	20.60		21.75	25.00					
YH2F36TB21S	TM9E060B12MP12	21.0	XAH/XAHC48F	2	975	34.60	24.00	15.20	11.70	33.80	22.00	7.80	6.25	3.46	2.50
				1	725	29.20	19.70		20.95	25.00					
YH2F36TB21S	TM8Y120C20MP11	24.5	XAH/XAHD48F	2	1200	35.80	26.60	16.00	12.00	34.00	22.20	7.80	6.15	3.64	2.56
				1	925	31.00	22.60		21.85	25.60					
YH2F36TB21S	TM8Y120C20MP11	24.5	XAF/XAFD48F	2	1200	34.80	25.60	15.20	11.70	34.20	22.20	7.80	6.15	3.66	2.52
				1	950	30.20	21.40		20.45	25.60					
YH2F36TB21S	TM8V100C16MP12C	21.0	XAH/XAHC48F	2	1200	35.60	26.40	15.20	12.00	34.20	22.20	7.80	6.20	3.62	2.56
				1	800	30.00	21.00		21.60	25.20					
YH2F36TB21S	TM8V080C16MP12C	21.0	XAH/XAHC48F	2	1200	35.60	26.40	15.20	12.00	34.20	22.20	7.80	6.20	3.62	2.56
				1	800	30.00	21.00		21.60	25.20					
YH2F36TB21S	TMLV100C16MP12C	21.0	XAH/XAHC48F	2	1200	35.60	26.40	15.20	12.00	34.20	22.20	7.80	6.20	3.62	2.56
				1	800	30.00	21.00		21.60	25.20					
YH2F36TB21S	TPLC080C16MP13C	21.0	XAH/XAHC48F	2	1200	35.60	26.40	15.20	12.00	34.20	22.20	7.80	6.20	3.62	2.56
				1	800	30.00	21.00		21.60	25.20					
YH2F36TB21S	TPLC100C16MP13C	21.0	XAH/XAHC48F	2	1200	35.60	26.40	15.20	12.00	34.20	22.20	7.80	6.20	3.62	2.56
				1	800	30.00	21.00		21.60	25.20					
YH2F36TB21S	YPLC080C16MP13C	21.0	XAH/XAHC48F	2	1200	35.60	26.40	15.20	12.00	34.20	22.20	7.80	6.20	3.62	2.56
				1	800	30.00	21.00		21.60	25.20					
YH2F36TB21S	YPLC100C16MP13C	21.0	XAH/XAHC48F	2	1200	35.60	26.40	15.20	12.00	34.20	22.20	7.80	6.20	3.62	2.56
				1	800	30.00	21.00		21.60	25.20					
YH2F36TB21S	TM8V100C16MP12C	21.0	XAF/XAF/XAUC48F	2	1400	35.20	27.00	14.30	11.00	35.00	23.00	7.80	6.15	3.68	2.50
				1	875	29.80	20.60		20.25	25.40					
YH2F36TB21S	TMLV100C16MP12C	21.0	XAF/XAF/XAUC48F	2	1400	35.20	27.00	14.30	11.00	35.00	23.00	7.80	6.15	3.68	2.50
				1	875	29.80	20.60		20.25	25.40					
YH2F36TB21S	TPLC080C16MP13C	21.0	XAF/XAF/XAUC48F	2	1400	35.20	27.00	14.30	11.00	35.00	23.00	7.80	6.15	3.68	2.50
				1	875	29.80	20.60		20.25	25.40					
YH2F36TB21S	TPLC100C16MP13C	21.0	XAF/XAF/XAUC48F	2	1400	35.20	27.00	14.30	11.00	35.00	23.00	7.80	6.15	3.68	2.50
				1	875	29.80	20.60		20.25	25.40					
YH2F36TB21S	YPLC080C16MP13C	21.0	XAF/XAF/XAUC48F	2	1400	35.20	27.00	14.30	11.00	35.00	23.00	7.80	6.15	3.68	2.50
				1	875	29.80	20.60		20.25	25.40					
YH2F36TB21S	YPLC100C16MP13C	21.0	XAF/XAF/XAUC48F	2	1400	35.20	27.00	14.30	11.00	35.00	23.00	7.80	6.15	3.68	2.50
				1	875	29.80	20.60		20.25	25.40					
YH2F36TB21S	TM8E100C16MP11	21.0	XAH/XAHC48F	2	1150	35.60	26.20	16.00	12.00	34.00	22.20	7.80	6.15	3.60	2.56
				1	900	30.80	22.40		21.75	25.60					
YH2F36TB21S	TMLE100C16MP11	21.0	XAH/XAHC48F	2	1150	35.60	26.20	16.00	12.00	34.00	22.20	7.80	6.15	3.60	2.56
				1	900	30.80	22.40		21.75	25.60					
YH2F36TB21S	TM8E080C16MP11	21.0	XAF/XAF/XAUC48F	2	1100	34.20	24.40	14.30	11.50	34.00	22.00	7.80	6.20	3.60	2.50
				1	775	29.20	19.60		20.20	25.00					
YH2F36TB21S	TMLE080C16MP11	21.0	XAF/XAF/XAUC48F	2	1100	34.20	24.40	14.30	11.50	34.00	22.00	7.80	6.20	3.60	2.50
				1	775	29.20	19.60		20.20	25.00					
YH2F36TB21S	TL9E080C16UH11	24.5	XAH/XAHD48F	2	1300	36.00	27.40	15.20	11.70	34.60	22.60	7.80	6.20	3.60	2.52
				1	875	30.60	22.00		21.70	25.40					

Table 11: Furnace capacity - 3 ton

Outdoor unit model	Furnace model	Furnace width (in.)	Indoor coil model	Stage	Rated CFM	Net cool (MBH)	Sens cool (MBH)	SEER2	EER2	Net47 (MBH)	Net17 (MBH)	HSPF2 IV	HSPF2 V	Cop47	Cop17
YH2F36TB21S	TL9E060B12UH11	21.0	XAF/XAF/XAUC48F	2	1125	34.00	24.20	14.30	10.50	34.40	22.60	7.50	5.95	3.50	2.44
				1	650	28.20	18.20		19.80	24.80				3.38	
YH2F36TB21S	TL8E100C20UH11	24.5	XAF/XAFD48F	2	1250	35.00	26.00	15.20	11.70	34.20	22.40	7.80	6.00	3.70	2.54
				1	975	30.40	21.60		20.45	25.80				3.80	
YH2F36TB21S	TM9Y080B12MP11	21.0	XAH/XAHC36D	2	1175	33.80	24.80	15.20	11.00	34.20	22.60	7.50	6.00	3.46	2.46
				1	700	28.40	18.80		21.00	24.60				3.30	
YH2F36TB21S	TM9V100C16MP12C	21.0	XAF/XAFC36D	2	1350	35.00	26.20	14.30	11.00	34.80	22.20	7.80	6.20	3.68	2.48
				1	875	29.40	20.60		20.15	25.20				3.64	
YH2F36TB21S	TP9C100C16MP13C	21.0	XAF/XAFC36D	2	1350	35.00	26.20	14.30	11.00	34.80	22.20	7.80	6.20	3.68	2.48
				1	875	29.40	20.60		20.15	25.20				3.64	
YH2F36TB21S	YP9C100C16MP13C	21.0	XAF/XAFC36D	2	1350	35.00	26.20	14.30	11.00	34.80	22.20	7.80	6.20	3.68	2.48
				1	875	29.40	20.60		20.15	25.20				3.64	
YH2F36TB21S	TM9E100C16MP12	21.0	XAF/XAFC36D	2	1100	33.80	23.60	14.30	11.50	34.20	21.80	7.50	5.95	3.60	2.46
				1	725	28.00	18.50		19.70	24.80				3.42	
YH2F36TB21S	TM9E080C16MP12	21.0	XAF/XAFC36D	2	1375	35.20	26.60	15.20	11.00	35.20	22.40	7.50	5.95	3.62	2.42
				1	750	28.20	18.80		20.20	24.80				3.48	
YH2F36TB21S	TM9E080B12MP12	21.0	XAH/XAHC36D	2	1200	33.80	25.00	15.20	11.00	34.20	22.60	7.50	5.95	3.48	2.46
				1	750	28.80	19.50		20.85	24.80				3.34	
YH2F36TB21S	TM9E080B12MP12	17.5	XAF/XAF/XAUB36D	2	1200	34.00	24.40	14.30	11.00	34.80	22.20	7.50	5.95	3.54	2.42
				1	750	28.20	18.80		19.60	24.80				3.44	
YH2F36TB21S	TM9E060B12MP12	17.5	XAH/XAHC36D	2	1075	33.40	23.80	14.30	11.00	33.80	22.40	7.50	6.00	3.40	2.46
				1	700	28.40	18.80		20.45	24.80				3.26	
YH2F36TB21S	TM8Y060A12MP11	17.5	XAF/XAF/XAUB36D	2	975	33.20	22.40	14.30	11.00	34.00	21.80	7.50	6.00	3.50	2.44
				1	625	27.00	17.20		19.20	24.40				3.28	
YH2F36TB21S	TM8V080B12MP12C	17.5	XAF/XAF/XAUB36D	2	1000	33.00	22.20	14.30	11.00	34.20	22.00	7.50	6.00	3.48	2.42
				1	675	27.40	17.80		18.90	24.60				3.32	
YH2F36TB21S	TPLC080B12MP13C	17.5	XAF/XAF/XAUB36D	2	1000	33.00	22.20	14.30	11.00	34.20	22.00	7.50	6.00	3.48	2.42
				1	675	27.40	17.80		18.90	24.60				3.32	
YH2F36TB21S	YPLC080B12MP13C	17.5	XAF/XAF/XAUB36D	2	1000	33.00	22.20	14.30	11.00	34.20	22.00	7.50	6.00	3.48	2.42
				1	675	27.40	17.80		18.90	24.60				3.32	
YH2F36TB21S	TM8E100B12MP11	17.5	XAF/XAF/XAUB36D	2	1100	33.80	23.60	14.30	11.00	34.40	22.00	7.50	5.95	3.56	2.44
				1	675	27.60	18.00		19.55	24.60				3.36	
YH2F36TB21S	TMLE100B12MP11	17.5	XAF/XAF/XAUB36D	2	1100	33.80	23.60	14.30	11.00	34.40	22.00	7.50	5.95	3.56	2.44
				1	675	27.60	18.00		19.55	24.60				3.36	
YH2F36TB21S	TM8E080C16MP11	21.0	XAH/XAHC36D	2	1075	33.80	24.20	15.20	11.70	33.40	22.00	7.80	6.20	3.52	2.52
				1	850	29.40	20.60		20.90	25.20				3.46	
YH2F36TB21S	TMLE080C16MP11	21.0	XAH/XAHC36D	2	1075	33.80	24.20	15.20	11.70	33.40	22.00	7.80	6.20	3.52	2.52
				1	850	29.40	20.60		20.90	25.20				3.46	
YH2F36TB21S	TM8E080C16MP11	21.0	XAF/XAFC36D	2	1075	33.80	23.60	14.30	11.50	34.00	21.80	7.50	5.95	3.60	2.46
				1	750	28.20	18.80		19.85	24.80				3.46	
YH2F36TB21S	TMLE080C16MP11	21.0	XAF/XAFC36D	2	1075	33.80	23.60	14.30	11.50	34.00	21.80	7.50	5.95	3.60	2.46
				1	750	28.20	18.80		19.85	24.80				3.46	
YH2F36TB21S	TM8E080B12MP11	17.5	XAF/XAF/XAUB36D	2	1200	34.00	24.40	14.30	10.50	34.80	22.20	7.50	5.95	3.54	2.40
				1	725	28.00	18.50		19.80	24.60				3.42	
YH2F36TB21S	TMLE080B12MP11	17.5	XAF/XAF/XAUB36D	2	1200	34.00	24.40	14.30	10.50	34.80	22.20	7.50	5.95	3.54	2.40
				1	725	28.00	18.50		19.80	24.60				3.42	
YH2F36TB21S	TL8E080C16UH11	21.0	XAH/XAHC36D	2	1075	33.80	24.20	15.20	11.70	33.40	22.00	7.80	6.20	3.50	2.52
				1	850	29.40	20.60		20.90	25.20				3.48	
YH2F36TB21S	TM9Y120D20MP11	24.5	XAF/XAFD48F	2	1225	34.80	25.60	14.30	11.50	34.20	22.40	7.80	6.15	3.66	2.52
				1	900	30.00	21.00		20.45	25.40				3.72	
YH2F36TB21S	TM9Y100C16MP11	24.5	XAH/XAHD48F	2	1275	35.80	27.00	15.20	11.70	34.60	22.60	7.80	6.20	3.58	2.52
				1	925	30.80	22.40		21.50	25.60				3.62	
YH2F36TB21S	TM9Y100C16MP11	21.0	XAH/XAHC48F	2	1275	35.80	27.00	15.20	11.70	34.60	22.60	7.80	6.20	3.58	2.52
				1	950	31.00	22.80		21.75	25.80				3.66	
YH2F36TB21S	TM9Y080B12MP11	21.0	XAF/XAF/XAUC48F	2	1200	34.20	25.00	14.30	10.50	34.60	22.80	7.50	5.95	3.52	2.44
				1	725	28.80	19.00		20.10	25.00				3.48	
YH2F36TB21S	TM9Y060B12MP11	21.0	XAH/XAHC48F	2	1025	34.80	24.60	15.20	11.70	34.00	22.20	7.80	6.25	3.48	2.48
				1	675	28.80	19.10		21.00	24.80				3.32	
YH2F36TB21S	TM9V100C20MP12C	21.0	XAH/XAHC48F	2	1375	36.00	28.00	15.20	11.70	34.60	22.60	7.80	6.15	3.66	2.56
				1	825	30.20	21.40		21.90	25.20				3.54	

Table 11: Furnace capacity - 3 ton

Outdoor unit model	Furnace model	Furnace width (in.)	Indoor coil model	Stage	Rated CFM	Net cool (MBH)	Sens cool (MBH)	SEER2	EER2	Net47 (MBH)	Net17 (MBH)	HSPF2 IV	HSPF2 V	Cop47	Cop17
YH2F36TB21S	TP9C100C20MP13C	21.0	XAH/XAHC48F	2	1375	36.00	28.00	15.20	11.70	34.60	22.60	7.80	6.15	3.66	2.56
				1	825	30.20	21.40		21.90	25.20					
YH2F36TB21S	YP9C100C20MP13C	21.0	XAH/XAHC48F	2	1375	36.00	28.00	15.20	11.70	34.60	22.60	7.80	6.15	3.66	2.56
				1	825	30.20	21.40		21.90	25.20					
YH2F36TB21S	TM9V100C16MP12C	24.5	XAH/XAHD48F	2	1250	35.80	26.80	15.20	11.70	34.20	22.40	7.80	6.15	3.64	2.56
				1	850	30.20	21.40		21.50	25.40					
YH2F36TB21S	TP9C100C16MP13C	24.5	XAH/XAHD48F	2	1250	35.80	26.80	15.20	11.70	34.20	22.40	7.80	6.15	3.64	2.56
				1	850	30.20	21.40		21.50	25.40					
YH2F36TB21S	YP9C100C16MP13C	24.5	XAH/XAHD48F	2	1250	35.80	26.80	15.20	11.70	34.20	22.40	7.80	6.15	3.64	2.56
				1	850	30.20	21.40		21.50	25.40					
YH2F36TB21S	TM9V080C16MP12C	24.5	XAH/XAHD48F	2	1225	35.60	26.60	15.20	11.70	34.40	22.40	7.80	6.20	3.58	2.52
				1	800	29.80	20.80		21.20	25.20					
YH2F36TB21S	TP9C080C16MP13C	24.5	XAH/XAHD48F	2	1225	35.60	26.60	15.20	11.70	34.40	22.40	7.80	6.20	3.58	2.52
				1	800	29.80	20.80		21.20	25.20					
YH2F36TB21S	YP9C080C16MP13C	24.5	XAH/XAHD48F	2	1225	35.60	26.60	15.20	11.70	34.40	22.40	7.80	6.20	3.58	2.52
				1	800	29.80	20.80		21.20	25.20					
YH2F36TB21S	TM9V080C16MP12C	21.0	XAF/XAF/XAUC48F	2	1400	35.20	27.00	14.30	10.50	35.20	23.00	7.80	6.15	3.64	2.48
				1	900	29.80	20.80		19.95	25.60					
YH2F36TB21S	TP9C080C16MP13C	21.0	XAF/XAF/XAUC48F	2	1400	35.20	27.00	14.30	10.50	35.20	23.00	7.80	6.15	3.64	2.48
				1	900	29.80	20.80		19.95	25.60					
YH2F36TB21S	YP9C080C16MP13C	21.0	XAF/XAF/XAUC48F	2	1400	35.20	27.00	14.30	10.50	35.20	23.00	7.80	6.15	3.64	2.48
				1	900	29.80	20.80		19.95	25.60					
YH2F36TB21S	TM9V080B12MP12C	21.0	XAF/XAF/XAUC48F	2	1200	34.20	25.00	14.30	11.00	34.60	22.60	7.80	6.20	3.56	2.46
				1	800	29.20	19.70		19.85	25.20					
YH2F36TB21S	TP9C080B12MP13C	21.0	XAF/XAF/XAUC48F	2	1200	34.20	25.00	14.30	11.00	34.60	22.60	7.80	6.20	3.56	2.46
				1	800	29.20	19.70		19.85	25.20					
YH2F36TB21S	YP9C080B12MP13C	21.0	XAF/XAF/XAUC48F	2	1200	34.20	25.00	14.30	11.00	34.60	22.60	7.80	6.20	3.56	2.46
				1	800	29.20	19.70		19.85	25.20					
YH2F36TB21S	TM9V060B12MP12C	21.0	XAH/XAHC48F	2	1025	34.80	24.60	15.20	11.70	34.00	22.20	7.80	6.25	3.48	2.50
				1	650	28.60	18.70		20.95	24.80					
YH2F36TB21S	TP9C060B12MP13C	21.0	XAH/XAHC48F	2	1025	34.80	24.60	15.20	11.70	34.00	22.20	7.80	6.25	3.48	2.50
				1	650	28.60	18.70		20.95	24.80					
YH2F36TB21S	YP9C060B12MP13C	21.0	XAH/XAHC48F	2	1025	34.80	24.60	15.20	11.70	34.00	22.20	7.80	6.25	3.48	2.50
				1	650	28.60	18.70		20.95	24.80					
YH2F36TB21S	TM9E100C16MP12	24.5	XAF/XAFD48F	2	1125	34.40	24.60	14.30	11.00	34.00	22.20	7.80	6.20	3.60	2.50
				1	750	29.00	19.30		20.10	25.00					
YH2F36TB21S	TM9E080C16MP12	24.5	XAH/XAHD48F	2	1125	35.40	25.80	15.20	12.00	34.00	22.20	7.80	6.15	3.56	2.54
				1	825	30.00	21.20		21.25	25.40					
YH2F36TB21S	TM8Y120C20MP11	21.0	XAH/XAHC48F	2	1200	35.80	26.60	16.00	12.00	34.00	22.20	7.80	6.15	3.64	2.56
				1	950	31.20	23.00		22.05	25.60					
YH2F36TB21S	TM8Y120C20MP11	21.0	XAF/XAF/XAUC48F	2	1375	35.40	27.00	15.20	11.00	34.80	22.80	8.10	6.30	3.70	2.52
				1	975	30.60	21.80		20.70	25.60					
YH2F36TB21S	TM8V100C16MP12C	24.5	XAH/XAHD48F	2	1200	35.60	26.40	15.20	11.70	34.20	22.20	7.80	6.20	3.60	2.54
				1	800	29.80	20.80		21.40	25.20					
YH2F36TB21S	TM8V080C16MP12C	24.5	XAH/XAHD48F	2	1200	35.60	26.40	15.20	11.70	34.20	22.20	7.80	6.20	3.60	2.54
				1	800	29.80	20.80		21.40	25.20					
YH2F36TB21S	TMLV100C16MP12C	24.5	XAH/XAHD48F	2	1200	35.60	26.40	15.20	11.70	34.20	22.20	7.80	6.20	3.60	2.54
				1	800	29.80	20.80		21.40	25.20					
YH2F36TB21S	TPLC080C16MP13C	24.5	XAH/XAHD48F	2	1200	35.60	26.40	15.20	11.70	34.20	22.20	7.80	6.20	3.60	2.54
				1	800	29.80	20.80		21.40	25.20					
YH2F36TB21S	TPLC100C16MP13C	24.5	XAH/XAHD48F	2	1200	35.60	26.40	15.20	11.70	34.20	22.20	7.80	6.20	3.60	2.54
				1	800	29.80	20.80		21.40	25.20					
YH2F36TB21S	YPLC080C16MP13C	24.5	XAH/XAHD48F	2	1200	35.60	26.40	15.20	11.70	34.20	22.20	7.80	6.20	3.60	2.54
				1	800	29.80	20.80		21.40	25.20					
YH2F36TB21S	YPLC100C16MP13C	24.5	XAH/XAHD48F	2	1200	35.60	26.40	15.20	11.70	34.20	22.20	7.80	6.20	3.60	2.54
				1	800	29.80	20.80		21.40	25.20					
YH2F36TB21S	TM8E100C16MP11	24.5	XAF/XAFD48F	2	1150	34.40	24.80	14.30	11.50	34.00	22.20	7.80	6.20	3.62	2.52
				1	750	29.00	19.30		20.20	25.00					
YH2F36TB21S	TMLE100C16MP11	24.5	XAF/XAFD48F	2	1150	34.40	24.80	14.30	11.50	34.00	22.20	7.80	6.20	3.62	2.52
				1	750	29.00	19.30		20.20	25.00					

Table 11: Furnace capacity - 3 ton

Outdoor unit model	Furnace model	Furnace width (in.)	Indoor coil model	Stage	Rated CFM	Net cool (MBH)	Sens cool (MBH)	SEER2	EER2	Net47 (MBH)	Net17 (MBH)	HSPF2 IV	HSPF2 V	Cop47	Cop17
YH2F36TB21S	TM8E100B12MP11	21.0	XAF/XAF/XAUC48F	2	1125	34.20	24.40	14.30	11.00	34.20	22.20	7.50	5.95	3.56	2.48
				1	700	28.60	18.80		20.05	24.80				3.46	
YH2F36TB21S	TMLE100B12MP11	21.0	XAF/XAF/XAUC48F	2	1125	34.20	24.40	14.30	11.00	34.20	22.20	7.50	5.95	3.56	2.48
				1	700	28.60	18.80		20.05	24.80				3.46	
YH2F36TB21S	TM8E080B12MP11	21.0	XAH/XAHC48F	2	1125	35.20	25.60	15.20	11.70	34.20	22.40	7.80	6.20	3.54	2.50
				1	750	29.60	20.40		21.60	25.00				3.42	
YH2F36TB21S	TMLE080B12MP11	21.0	XAH/XAHC48F	2	1125	35.20	25.60	15.20	11.70	34.20	22.40	7.80	6.20	3.54	2.50
				1	750	29.60	20.40		21.60	25.00				3.42	
YH2F36TB21S	TM8E080B12MP11	21.0	XAF/XAF/XAUC48F	2	1225	34.40	25.20	14.30	10.50	34.80	22.80	7.50	5.95	3.54	2.46
				1	725	28.80	19.00		20.10	25.00				3.48	
YH2F36TB21S	TMLE080B12MP11	21.0	XAF/XAF/XAUC48F	2	1225	34.40	25.20	14.30	10.50	34.80	22.80	7.50	5.95	3.54	2.46
				1	725	28.80	19.00		20.10	25.00				3.48	
YH2F36TB21S	TL9E080C16UH11	21.0	XAH/XAHC48F	2	1300	36.00	27.40	16.00	11.70	34.60	22.60	7.80	6.15	3.60	2.52
				1	900	30.80	22.40		21.95	25.40				3.62	
YH2F36TB21S	TL8E100C20UH11	21.0	XAH/XAHC48F	2	1250	36.00	27.00	16.00	12.00	34.20	22.20	7.80	6.10	3.66	2.58
				1	1000	31.60	23.60		22.25	25.80				3.76	
YH2F36TB21S	TL8E080C16UH11	21.0	XAH/XAHC48F	2	1250	35.80	26.80	16.00	11.70	34.40	22.40	7.80	6.15	3.60	2.54
				1	925	31.00	22.60		21.95	25.60				3.64	
YH2F36TB21S	TL8E080C16UH11	21.0	XAF/XAF/XAUC48F	2	1425	35.20	27.20	14.30	11.00	35.20	23.20	7.80	6.15	3.64	2.48
				1	925	30.20	21.20		20.50	25.60				3.74	
YH2F36TB21S	TM8Y100C20MP11	21.0	XAH/XAHC36D	2	1150	34.20	25.00	15.20	11.70	33.60	22.20	7.80	6.20	3.56	2.54
				1	900	29.80	21.20		21.20	25.40				3.56	
YH2F36TB21S	TM8Y080B12MP11	21.0	XAF/XAFC36D	2	1050	33.60	23.20	14.30	11.00	34.20	21.80	7.50	5.95	3.56	2.46
				1	650	27.20	17.50		19.45	24.40				3.32	
YH2F36TB21S	TM8Y100C16MP11	21.0	XAF/XAF/XAUC48F	2	1400	35.40	27.20	14.30	11.00	35.00	23.00	7.80	6.20	3.66	2.50
				1	750	29.00	19.30		20.60	25.00				3.54	
YH2F36TB21S	TM8Y100C20MP11	21.0	XAF/XAFC36D	2	1175	34.40	24.80	15.20	11.70	34.20	21.80	7.80	6.20	3.66	2.48
				1	925	29.80	21.00		20.40	25.40				3.70	
YH2F36TB21S	TM8Y100C16MP11	21.0	XAH/XAHC36D	2	1175	34.20	25.20	15.20	11.70	33.80	22.20	7.80	6.20	3.54	2.52
				1	725	28.60	19.10		21.40	24.60				3.36	
YH2F36TB21S	TM8Y100C16MP11	21.0	XAF/XAFC36D	2	1200	34.40	24.80	15.20	11.70	34.40	21.80	7.80	6.20	3.64	2.48
				1	900	29.60	20.80		20.15	25.40				3.64	
YH2F36TB21S	TM8Y080B12MP11	17.5	XAH/XAHC36D	2	1000	33.40	23.40	14.30	11.50	33.20	22.20	7.50	6.00	3.42	2.48
				1	625	27.80	17.80		20.65	24.40				3.20	
YH2F36TB21S	TM8Y100C20MP11	21.0	XAF/XAF/XAUC48F	2	1375	35.40	27.00	15.20	11.00	34.80	22.80	8.10	6.30	3.70	2.52
				1	975	30.60	21.80		20.70	25.60				3.82	
YH2F36TB21S	TM8Y100C16MP11	21.0	XAH/XAHC48F	2	1225	35.80	26.80	16.00	12.00	34.20	22.20	7.80	6.15	3.62	2.56
				1	950	31.20	23.00		22.00	25.60				3.68	
YH2F36TB21S	TM8Y080B12MP11	21.0	XAH/XAHC36D	2	1025	33.40	23.40	15.20	11.50	33.40	22.20	7.50	6.00	3.46	2.50
				1	650	28.00	18.10		20.85	24.40				3.24	
YH2F36TB21S	TM8Y100C16MP11	24.5	XAF/XAFD48F	2	1400	35.40	27.20	14.30	11.00	35.00	23.00	7.80	6.20	3.66	2.50
				1	750	29.00	19.30		20.60	25.00				3.54	
YH2F36TB21S	TM8Y080B12MP11	21.0	XAH/XAHC48F	2	1075	35.20	25.20	15.20	12.00	34.00	22.20	7.80	6.20	3.54	2.52
				1	925	30.80	22.40		20.95	25.80				3.58	
YH2F36TB21S	TM8Y100C20MP11	24.5	XAH/XAHD48F	2	1200	35.80	26.60	16.00	12.00	34.00	22.20	7.80	6.15	3.64	2.56
				1	925	31.00	22.60		21.85	25.60				3.64	
YH2F36TB21S	TM8Y100C20MP11	24.5	XAF/XAFD48F	2	1200	34.80	25.60	15.20	11.70	34.20	22.20	7.80	6.15	3.66	2.52
				1	950	30.20	21.40		20.45	25.60				3.78	
YH2F36TB21S	TM8Y080B12MP11	21.0	XAF/XAF/XAUC48F	2	1050	33.80	23.60	14.30	11.00	34.00	22.00	7.50	5.90	3.54	2.48
				1	675	28.40	18.50		19.95	24.80				3.42	
YH2F36TB21S	TM8Y080B12MP11	17.5	XAF/XAF/XAUB36D	2	1025	33.40	22.80	14.30	11.00	34.20	21.80	7.50	5.95	3.54	2.44
				1	650	27.20	17.50		19.40	24.40				3.32	
YH2F36TB21S	TM8Y100C20MP11	21.0	XAH/XAHC48F	2	1200	35.80	26.60	16.00	12.00	34.00	22.20	7.80	6.15	3.64	2.56
				1	950	31.20	23.00		22.05	25.60				3.68	
YH2F36TB21S	TM8Y100C16MP11	24.5	XAH/XAHD48F	2	1225	35.80	26.80	16.00	12.00	34.20	22.20	7.80	6.15	3.62	2.56
				1	925	31.00	22.60		21.80	25.60				3.64	

Furnace capacity - 3.5 ton

Table 12: Furnace capacity - 3.5 ton

Outdoor unit model	Furnace model	Furnace width (in.)	Indoor coil model	Stage	Rated CFM	Net cool (MBH)	Sens cool (MBH)	SEER2	EER2	Net47 (MBH)	Net17 (MBH)	HSPF2 IV	HSPF2 V	Cop47	Cop17
YH2F42TB21S	TM9Y080C16MP11	24.5	XAH/XAHD48F	2	1125	39.50	27.40	15.20	12.00	39.50	24.60	8.10	6.45	3.68	2.56
				1	900	34.40	23.60		21.65	27.00	3.36				
YH2F42TB21S	TM9V100C20MP12C	21.0	XAF/XAF/XAUC48F	2	1375	40.50	30.20	15.20	11.70	40.00	25.60	7.80	6.05	3.72	2.54
				1	825	34.00	23.20		21.80	26.40	3.38				
YH2F42TB21S	TP9C100C20MP13C	21.0	XAF/XAF/XAUC48F	2	1375	40.50	30.20	15.20	11.70	40.00	25.60	7.80	6.05	3.72	2.54
				1	825	34.00	23.20		21.80	26.40	3.38				
YH2F42TB21S	YP9C100C20MP13C	21.0	XAF/XAF/XAUC48F	2	1375	40.50	30.20	15.20	11.70	40.00	25.60	7.80	6.05	3.72	2.54
				1	825	34.00	23.20		21.80	26.40	3.38				
YH2F42TB21S	TM9E100C20MP12	21.0	XAH/XAHC48F	2	1350	40.50	29.60	15.20	12.00	40.00	25.60	8.10	6.05	3.80	2.64
				1	1125	35.80	26.00		21.95	28.00	3.58				
YH2F42TB21S	TM9E100C20MP12	21.0	XAF/XAF/XAUC48F	2	1350	40.50	30.00	15.20	11.70	40.00	25.40	8.10	6.30	3.74	2.56
				1	1125	35.40	26.00		21.15	28.00	3.62				
YH2F42TB21S	TM9E100C16MP12	21.0	XAH/XAHC48F	2	1475	40.50	30.20	16.00	11.00	40.00	26.60	8.10	6.15	3.72	2.60
				1	825	34.20	23.00		22.85	26.40	3.36				
YH2F42TB21S	TM9E080C16MP12	21.0	XAH/XAHC48F	2	1425	40.50	30.00	16.00	11.70	40.50	26.40	8.10	6.25	3.72	2.60
				1	800	34.20	22.80		22.85	26.20	3.34				
YH2F42TB21S	TM8Y080C16MP11	24.5	XAH/XAHD48F	2	1225	40.00	28.40	16.00	12.00	40.00	25.00	8.10	6.40	3.74	2.60
				1	750	33.80	22.20		22.65	26.00	3.30				
YH2F42TB21S	TM8Y080C16MP11	21.0	XAF/XAF/XAUC48F	2	1200	40.00	28.60	15.20	11.70	39.50	25.00	8.10	6.45	3.68	2.54
				1	900	34.20	23.80		21.55	26.80	3.42				
YH2F42TB21S	TM8V100C16MP12C	21.0	XAF/XAF/XAUC48F	2	1200	40.00	28.60	15.20	11.70	39.50	25.00	8.10	6.45	3.68	2.54
				1	800	33.80	23.00		21.65	26.40	3.36				
YH2F42TB21S	TM8V080C16MP12C	21.0	XAF/XAF/XAUC48F	2	1200	40.00	28.60	15.20	11.70	39.50	25.00	8.10	6.45	3.68	2.54
				1	800	33.80	23.00		21.65	26.40	3.36				
YH2F42TB21S	TMLV100C16MP12C	21.0	XAF/XAF/XAUC48F	2	1200	40.00	28.60	15.20	11.70	39.50	25.00	8.10	6.45	3.68	2.54
				1	800	33.80	23.00		21.65	26.40	3.36				
YH2F42TB21S	TPLC080C16MP13C	21.0	XAF/XAF/XAUC48F	2	1200	40.00	28.60	15.20	11.70	39.50	25.00	8.10	6.45	3.68	2.54
				1	800	33.80	23.00		21.65	26.40	3.36				
YH2F42TB21S	TPLC100C16MP13C	21.0	XAF/XAF/XAUC48F	2	1200	40.00	28.60	15.20	11.70	39.50	25.00	8.10	6.45	3.68	2.54
				1	800	33.80	23.00		21.65	26.40	3.36				
YH2F42TB21S	YPLC080C16MP13C	21.0	XAF/XAF/XAUC48F	2	1200	40.00	28.60	15.20	11.70	39.50	25.00	8.10	6.45	3.68	2.54
				1	800	33.80	23.00		21.65	26.40	3.36				
YH2F42TB21S	YPLC100C16MP13C	21.0	XAF/XAF/XAUC48F	2	1200	40.00	28.60	15.20	11.70	39.50	25.00	8.10	6.45	3.68	2.54
				1	800	33.80	23.00		21.65	26.40	3.36				
YH2F42TB21S	TM8E120C16MP11	24.5	XAF/XAFD48F	2	1475	40.50	30.60	15.20	11.00	40.50	25.80	8.10	6.35	3.72	2.54
				1	800	33.80	23.00		22.20	26.20	3.38				
YH2F42TB21S	TMLE120C16MP11	24.5	XAF/XAFD48F	2	1475	40.50	30.60	15.20	11.00	40.50	25.80	8.10	6.35	3.72	2.54
				1	800	33.80	23.00		22.20	26.20	3.38				
YH2F42TB21S	TM8E100C20MP11	24.5	XAH/XAHD48F	2	1375	40.50	29.80	15.20	12.00	40.00	25.80	8.10	6.05	3.80	2.64
				1	1150	36.00	26.40		21.85	28.00	3.60				
YH2F42TB21S	TMLE100C20MP11	24.5	XAH/XAHD48F	2	1375	40.50	29.80	15.20	12.00	40.00	25.80	8.10	6.05	3.80	2.64
				1	1150	36.00	26.40		21.85	28.00	3.60				
YH2F42TB21S	TM8E100C20MP11	24.5	XAF/XAFD48F	2	1375	40.50	30.20	15.20	11.70	40.00	25.40	8.10	6.30	3.74	2.56
				1	1150	35.40	26.20		21.10	28.00	3.64				
YH2F42TB21S	TMLE100C20MP11	24.5	XAF/XAFD48F	2	1375	40.50	30.20	15.20	11.70	40.00	25.40	8.10	6.30	3.74	2.56
				1	1150	35.40	26.20		21.10	28.00	3.64				
YH2F42TB21S	TM8E080C16MP11	21.0	XAH/XAHC48F	2	1450	40.50	30.20	16.00	11.70	40.50	26.40	8.10	6.15	3.76	2.62
				1	850	34.40	23.40		22.90	26.40	3.40				
YH2F42TB21S	TMLE080C16MP11	21.0	XAH/XAHC48F	2	1450	40.50	30.20	16.00	11.70	40.50	26.40	8.10	6.15	3.76	2.62
				1	850	34.40	23.40		22.90	26.40	3.40				
YH2F42TB21S	TM8E080B12MP11	21.0	XAF/XAF/XAUC48F	2	1225	40.00	28.80	15.20	11.00	40.00	25.40	7.80	6.20	3.62	2.50
				1	875	34.20	23.60		21.35	26.80	3.38				
YH2F42TB21S	TMLE080B12MP11	21.0	XAF/XAF/XAUC48F	2	1225	40.00	28.80	15.20	11.00	40.00	25.40	7.80	6.20	3.62	2.50
				1	875	34.20	23.60		21.35	26.80	3.38				
YH2F42TB21S	TM9Y100C20MP11	24.5	XAH/XAHD48F	2	1375	40.50	29.80	15.20	11.70	40.50	26.00	8.10	6.15	3.74	2.60
				1	1100	35.60	25.80		21.50	28.00	3.54				
YH2F42TB21S	TM9Y080C16MP11	21.0	XAF/XAF/XAUC48F	2	1250	40.00	29.00	15.20	11.70	40.00	25.40	7.80	6.15	3.64	2.50
				1	925	34.40	24.20		21.30	27.00	3.44				

Table 12: Furnace capacity - 3.5 ton

Outdoor unit model	Furnace model	Furnace width (in.)	Indoor coil model	Stage	Rated CFM	Net cool (MBH)	Sens cool (MBH)	SEER2	EER2	Net47 (MBH)	Net17 (MBH)	HSPF2 IV	HSPF2 V	Cop47	Cop17
YH2F42TB21S	TM9Y060B12MP11	21.0	XAH/XAHC48F	2	1125	39.50	27.40	15.20	11.70	39.50	25.00	7.80	6.25	3.58	2.50
				1	700	33.40	21.60		22.10	26.00				3.22	
YH2F42TB21S	TM9V100C16MP12C	21.0	XAF/XAF/XAUC48F	2	1250	40.00	29.00	15.20	11.70	39.50	25.20	8.10	6.45	3.70	2.56
				1	850	34.00	23.40		21.60	26.60				3.40	
YH2F42TB21S	TP9C100C16MP13C	21.0	XAF/XAF/XAUC48F	2	1250	40.00	29.00	15.20	11.70	39.50	25.20	8.10	6.45	3.70	2.56
				1	850	34.00	23.40		21.60	26.60				3.40	
YH2F42TB21S	YP9C100C16MP13C	21.0	XAF/XAF/XAUC48F	2	1250	40.00	29.00	15.20	11.70	39.50	25.20	8.10	6.45	3.70	2.56
				1	850	34.00	23.40		21.60	26.60				3.40	
YH2F42TB21S	TM9V080B12MP12C	21.0	XAH/XAHC48F	2	1200	39.50	27.80	15.20	11.70	39.50	25.20	8.10	6.45	3.68	2.56
				1	775	33.80	22.40		22.10	26.20				3.30	
YH2F42TB21S	TP9C080B12MP13C	21.0	XAH/XAHC48F	2	1200	39.50	27.80	15.20	11.70	39.50	25.20	8.10	6.45	3.68	2.56
				1	775	33.80	22.40		22.10	26.20				3.30	
YH2F42TB21S	YP9C080B12MP13C	21.0	XAH/XAHC48F	2	1200	39.50	27.80	15.20	11.70	39.50	25.20	8.10	6.45	3.68	2.56
				1	775	33.80	22.40		22.10	26.20				3.30	
YH2F42TB21S	TM9E120D20MP12	24.5	XAF/XAFD48F	2	1300	40.50	29.80	15.20	11.70	40.00	25.20	8.10	6.25	3.74	2.56
				1	1125	35.20	25.80		20.90	28.00				3.58	
YH2F42TB21S	TM9E100C20MP12	24.5	XAH/XAHD48F	2	1350	40.50	29.60	15.20	12.00	40.00	25.60	8.10	6.05	3.80	2.64
				1	1125	35.80	26.00		21.90	28.00				3.58	
YH2F42TB21S	TM9E100C20MP12	24.5	XAF/XAFD48F	2	1375	40.50	30.20	15.20	11.70	40.00	25.40	8.10	6.30	3.76	2.56
				1	1125	35.40	26.00		21.20	28.00				3.62	
YH2F42TB21S	TM8Y120C20MP11	21.0	XAH/XAHC48F	2	1400	40.50	29.80	16.00	12.00	40.00	25.80	8.10	6.05	3.82	2.64
				1	1000	35.20	24.80		22.80	27.20				3.54	
YH2F42TB21S	TM8Y080C16MP11	21.0	XAH/XAHC48F	2	1400	40.00	29.40	16.00	11.70	40.00	26.00	8.10	6.25	3.76	2.62
				1	800	34.20	22.80		23.10	26.20				3.36	
YH2F42TB21S	TM8E120C20MP11	24.5	XAH/XAHD48F	2	1375	40.50	29.80	15.20	12.00	40.00	25.60	8.10	6.05	3.82	2.66
				1	1175	36.00	26.40		21.75	28.20				3.62	
YH2F42TB21S	TMLE120C20MP11	24.5	XAH/XAHD48F	2	1375	40.50	29.80	15.20	12.00	40.00	25.60	8.10	6.05	3.82	2.66
				1	1175	36.00	26.40		21.75	28.20				3.62	
YH2F42TB21S	TM8E120C20MP11	24.5	XAF/XAFD48F	2	1375	40.50	30.20	15.20	11.70	40.00	25.40	8.10	6.20	3.76	2.58
				1	1175	35.60	26.60		21.00	28.20				3.64	
YH2F42TB21S	TMLE120C20MP11	24.5	XAF/XAFD48F	2	1375	40.50	30.20	15.20	11.70	40.00	25.40	8.10	6.20	3.76	2.58
				1	1175	35.60	26.60		21.00	28.20				3.64	
YH2F42TB21S	TM8E120C16MP11	24.5	XAH/XAHD48F	2	1475	40.50	30.20	16.00	11.70	40.50	26.40	8.10	6.15	3.78	2.64
				1	800	34.00	22.60		22.70	26.20				3.34	
YH2F42TB21S	TMLE120C16MP11	24.5	XAH/XAHD48F	2	1475	40.50	30.20	16.00	11.70	40.50	26.40	8.10	6.15	3.78	2.64
				1	800	34.00	22.60		22.70	26.20				3.34	
YH2F42TB21S	TM8E100C20MP11	21.0	XAF/XAF/XAUC48F	2	1375	40.50	30.20	15.20	11.70	40.00	25.40	8.10	6.30	3.74	2.56
				1	1150	35.40	26.20		21.10	28.00				3.62	
YH2F42TB21S	TMLE100C20MP11	21.0	XAF/XAF/XAUC48F	2	1375	40.50	30.20	15.20	11.70	40.00	25.40	8.10	6.30	3.74	2.56
				1	1150	35.40	26.20		21.10	28.00				3.62	
YH2F42TB21S	TM8E100B12MP11	21.0	XAH/XAHC48F	2	1125	39.50	27.40	16.00	12.00	39.50	24.60	8.10	6.55	3.68	2.56
				1	725	33.60	22.00		22.40	26.00				3.26	
YH2F42TB21S	TMLE100B12MP11	21.0	XAH/XAHC48F	2	1125	39.50	27.40	16.00	12.00	39.50	24.60	8.10	6.55	3.68	2.56
				1	725	33.60	22.00		22.40	26.00				3.26	
YH2F42TB21S	TL9E100C20UH11	24.5	XAH/XAHD48F	2	1475	40.50	30.40	16.00	11.70	40.50	26.20	8.10	6.00	3.82	2.66
				1	1075	35.60	25.60		22.35	27.60				3.56	
YH2F42TB21S	TL9E080C16UH11	21.0	XAF/XAF/XAUC48F	2	1300	40.00	29.20	15.20	11.70	40.00	25.40	7.80	6.15	3.68	2.52
				1	875	34.20	23.60		21.70	26.60				3.42	
YH2F42TB21S	TM9Y100C16MP11	21.0	XAH/XAHC48F	2	1125	40.00	28.00	15.20	12.00	40.00	24.60	8.10	6.45	3.70	2.56
				1	925	34.60	23.80		21.95	27.00				3.42	
YH2F42TB21S	TM9Y100C16MP11	21.0	XAF/XAF/XAUC48F	2	1250	40.00	29.00	15.20	11.70	40.00	25.40	7.80	6.15	3.64	2.52
				1	925	34.40	24.20		21.40	27.00				3.44	
YH2F42TB21S	TM9Y080C16MP11	21.0	XAH/XAHC48F	2	1125	39.50	27.40	15.20	12.00	39.50	24.60	8.10	6.45	3.68	2.56
				1	925	34.60	23.80		21.80	27.00				3.40	
YH2F42TB21S	TM9V120D20MP12C	24.5	XAF/XAFD48F	2	1400	40.50	30.20	15.20	11.70	40.00	25.40	8.10	6.30	3.78	2.58
				1	900	34.40	24.00		21.95	26.80				3.46	
YH2F42TB21S	TP9C120D20MP13C	24.5	XAF/XAFD48F	2	1400	40.50	30.20	15.20	11.70	40.00	25.40	8.10	6.30	3.78	2.58
				1	900	34.40	24.00		21.95	26.80				3.46	
YH2F42TB21S	YP9C120D20MP13C	24.5	XAF/XAFD48F	2	1400	40.50	30.20	15.20	11.70	40.00	25.40	8.10	6.30	3.78	2.58
				1	900	34.40	24.00		21.95	26.80				3.46	

Table 12: Furnace capacity - 3.5 ton

Outdoor unit model	Furnace model	Furnace width (in.)	Indoor coil model	Stage	Rated CFM	Net cool (MBH)	Sens cool (MBH)	SEER2	EER2	Net47 (MBH)	Net17 (MBH)	HSPF2 IV	HSPF2 V	Cop47	Cop17
YH2F42TB21S	TM9V100C20MP12C	24.5	XAF/XAFD48F	2	1375	40.50	30.20	15.20	11.70	40.00	25.40	7.80	6.05	3.72	2.56
				1	825	34.00	23.20		21.80	26.40	3.38				
YH2F42TB21S	TP9C100C20MP13C	24.5	XAF/XAFD48F	2	1375	40.50	30.20	15.20	11.70	40.00	25.40	7.80	6.05	3.72	2.56
				1	825	34.00	23.20		21.80	26.40	3.38				
YH2F42TB21S	YP9C100C20MP13C	24.5	XAF/XAFD48F	2	1375	40.50	30.20	15.20	11.70	40.00	25.40	7.80	6.05	3.72	2.56
				1	825	34.00	23.20		21.80	26.40	3.38				
YH2F42TB21S	TM9E080C20MP12	21.0	XAH/XAHC48F	2	1350	40.50	29.60	15.20	12.00	40.00	25.60	8.10	6.05	3.78	2.64
				1	1150	36.00	26.40		21.95	28.00	3.60				
YH2F42TB21S	TM9E080B12MP12	21.0	XAF/XAF/XAUC48F	2	1225	40.00	28.80	15.20	11.00	40.00	25.40	7.80	6.20	3.62	2.50
				1	900	34.20	23.80		21.05	27.00	3.40				
YH2F42TB21S	TM8Y080C16MP11	24.5	XAF/XAFD48F	2	1200	40.00	28.60	15.20	11.70	39.50	25.00	8.10	6.45	3.68	2.54
				1	900	34.20	23.80		21.55	26.80	3.42				
YH2F42TB21S	TM8V080C16MP12C	24.5	XAH/XAHD48F	2	1375	40.50	29.80	15.20	11.70	40.00	25.80	8.10	6.15	3.76	2.62
				1	875	34.40	23.40		22.25	26.60	3.40				
YH2F42TB21S	TM8E120C20MP11	21.0	XAF/XAF/XAUC48F	2	1350	40.50	30.00	15.20	11.70	40.00	25.40	8.10	6.30	3.74	2.56
				1	1175	35.60	26.60		20.95	28.20	3.64				
YH2F42TB21S	TMLE120C20MP11	21.0	XAF/XAF/XAUC48F	2	1350	40.50	30.00	15.20	11.70	40.00	25.40	8.10	6.30	3.74	2.56
				1	1175	35.60	26.60		20.95	28.20	3.64				
YH2F42TB21S	TM8E100C20MP11	21.0	XAH/XAHC48F	2	1375	40.50	29.80	15.20	12.00	40.00	25.80	8.10	6.05	3.80	2.64
				1	1150	36.00	26.40		21.90	28.00	3.60				
YH2F42TB21S	TMLE100C20MP11	21.0	XAH/XAHC48F	2	1375	40.50	29.80	15.20	12.00	40.00	25.80	8.10	6.05	3.80	2.64
				1	1150	36.00	26.40		21.90	28.00	3.60				
YH2F42TB21S	TM8E100C16MP11	24.5	XAF/XAFD48F	2	1450	40.50	30.60	15.20	11.00	40.50	25.80	8.10	6.35	3.70	2.54
				1	800	33.80	23.00		22.20	26.20	3.38				
YH2F42TB21S	TMLE100C16MP11	24.5	XAF/XAFD48F	2	1450	40.50	30.60	15.20	11.00	40.50	25.80	8.10	6.35	3.70	2.54
				1	800	33.80	23.00		22.20	26.20	3.38				
YH2F42TB21S	TM8E080C20MP11	21.0	XAH/XAHC48F	2	1400	40.50	29.80	15.20	12.00	40.00	25.80	8.10	6.10	3.80	2.64
				1	1175	36.20	26.60		22.05	28.20	3.64				
YH2F42TB21S	TMLE080C20MP11	21.0	XAH/XAHC48F	2	1400	40.50	29.80	15.20	12.00	40.00	25.80	8.10	6.10	3.80	2.64
				1	1175	36.20	26.60		22.05	28.20	3.64				
YH2F42TB21S	TM8E080C20MP11	21.0	XAF/XAF/XAUC48F	2	1400	40.50	30.20	15.20	11.70	40.00	25.60	8.10	6.30	3.74	2.56
				1	1150	35.40	26.20		21.15	28.00	3.64				
YH2F42TB21S	TMLE080C20MP11	21.0	XAF/XAF/XAUC48F	2	1400	40.50	30.20	15.20	11.70	40.00	25.60	8.10	6.30	3.74	2.56
				1	1150	35.40	26.20		21.15	28.00	3.64				
YH2F42TB21S	TM8E080C16MP11	24.5	XAH/XAHD48F	2	1450	40.50	30.20	16.00	11.70	40.50	26.40	8.10	6.15	3.76	2.62
				1	825	34.20	23.00		22.70	26.40	3.36				
YH2F42TB21S	TMLE080C16MP11	24.5	XAH/XAHD48F	2	1450	40.50	30.20	16.00	11.70	40.50	26.40	8.10	6.15	3.76	2.62
				1	825	34.20	23.00		22.70	26.40	3.36				
YH2F42TB21S	TL9E100C20UH11	21.0	XAF/XAF/XAUC48F	2	1450	40.50	30.60	15.20	11.70	40.50	25.80	7.80	6.00	3.72	2.54
				1	1075	35.20	25.60		21.60	27.60	3.60				
YH2F42TB21S	TL8E100C20UH11	24.5	XAH/XAHD48F	2	1475	41.00	30.80	16.00	11.70	40.50	26.20	8.10	6.00	3.84	2.66
				1	1025	35.40	25.20		22.75	27.40	3.56				
YH2F42TB21S	TL8E100C20UH11	24.5	XAF/XAFD48F	2	1475	41.00	31.20	15.20	11.70	40.50	25.60	8.10	6.20	3.78	2.58
				1	1025	35.00	25.20		22.05	27.40	3.58				
YH2F42TB21S	TL8E080C16UH11	21.0	XAH/XAHC48F	2	1125	40.00	28.00	16.00	12.00	39.50	24.40	8.10	6.35	3.72	2.58
				1	900	34.60	23.80		22.20	26.80	3.40				
YH2F42TB21S	TM9Y100C20MP11	21.0	XAH/XAHC48F	2	1375	40.50	29.80	15.20	11.70	40.50	26.00	8.10	6.15	3.74	2.60
				1	1100	35.60	25.80		21.60	28.00	3.54				
YH2F42TB21S	TM9Y100C16MP11	24.5	XAF/XAFD48F	2	1275	40.00	29.00	15.20	11.70	40.00	25.40	7.80	6.15	3.66	2.52
				1	925	34.40	24.20		21.45	27.00	3.44				
YH2F42TB21S	TM9V100C20MP12C	21.0	XAH/XAHC48F	2	1375	40.50	29.80	16.00	11.70	40.00	25.80	8.10	6.15	3.78	2.62
				1	825	34.20	23.00		22.50	26.40	3.38				
YH2F42TB21S	TP9C100C20MP13C	21.0	XAH/XAHC48F	2	1375	40.50	29.80	16.00	11.70	40.00	25.80	8.10	6.15	3.78	2.62
				1	825	34.20	23.00		22.50	26.40	3.38				
YH2F42TB21S	YP9C100C20MP13C	21.0	XAH/XAHC48F	2	1375	40.50	29.80	16.00	11.70	40.00	25.80	8.10	6.15	3.78	2.62
				1	825	34.20	23.00		22.50	26.40	3.38				
YH2F42TB21S	TM9V100C16MP12C	24.5	XAH/XAHD48F	2	1325	40.50	29.40	16.00	11.70	40.00	25.40	8.10	6.25	3.78	2.64
				1	875	34.40	23.40		22.25	26.60	3.40				
YH2F42TB21S	TP9C100C16MP13C	24.5	XAH/XAHD48F	2	1325	40.50	29.40	16.00	11.70	40.00	25.40	8.10	6.25	3.78	2.64
				1	875	34.40	23.40		22.25	26.60	3.40				

Table 12: Furnace capacity - 3.5 ton

Outdoor unit model	Furnace model	Furnace width (in.)	Indoor coil model	Stage	Rated CFM	Net cool (MBH)	Sens cool (MBH)	SEER2	EER2	Net47 (MBH)	Net17 (MBH)	HSPF2 IV	HSPF2 V	Cop47	Cop17
YH2F42TB21S	YP9C100C16MP13C	24.5	XAH/XAHD48F	2	1325	40.50	29.40	16.00	11.70	40.00	25.40	8.10	6.25	3.78	2.64
				1	875	34.40	23.40		22.25	26.60				3.40	
YH2F42TB21S	TM9V080C16MP12C	24.5	XAH/XAHD48F	2	1225	40.00	28.40	15.20	11.70	40.00	25.20	8.10	6.40	3.70	2.58
				1	800	34.00	22.60		21.95	26.40				3.32	
YH2F42TB21S	TP9C080C16MP13C	24.5	XAH/XAHD48F	2	1225	40.00	28.40	15.20	11.70	40.00	25.20	8.10	6.40	3.70	2.58
				1	800	34.00	22.60		21.95	26.40				3.32	
YH2F42TB21S	YP9C080C16MP13C	24.5	XAH/XAHD48F	2	1225	40.00	28.40	15.20	11.70	40.00	25.20	8.10	6.40	3.70	2.58
				1	800	34.00	22.60		21.95	26.40				3.32	
YH2F42TB21S	TM9V080B12MP12C	21.0	XAF/XAF/XAUC48F	2	1200	39.50	28.20	15.20	11.00	39.50	25.40	7.80	6.20	3.62	2.50
				1	800	33.80	23.00		21.45	26.40				3.34	
YH2F42TB21S	TP9C080B12MP13C	21.0	XAF/XAF/XAUC48F	2	1200	39.50	28.20	15.20	11.00	39.50	25.40	7.80	6.20	3.62	2.50
				1	800	33.80	23.00		21.45	26.40				3.34	
YH2F42TB21S	YP9C080B12MP13C	21.0	XAF/XAF/XAUC48F	2	1200	39.50	28.20	15.20	11.00	39.50	25.40	7.80	6.20	3.62	2.50
				1	800	33.80	23.00		21.45	26.40				3.34	
YH2F42TB21S	TM9E120D20MP12	24.5	XAH/XAHD48F	2	1475	40.50	30.20	15.20	11.70	40.00	26.40	8.10	6.00	3.80	2.64
				1	1175	36.20	26.60		21.95	28.20				3.64	
YH2F42TB21S	TM9E100C16MP12	24.5	XAF/XAFD48F	2	1500	40.50	30.80	15.20	11.00	40.50	26.20	8.10	6.45	3.68	2.52
				1	800	33.80	23.00		22.20	26.20				3.36	
YH2F42TB21S	TM9E080B12MP12	21.0	XAH/XAHC48F	2	1125	39.50	27.40	15.20	11.70	39.50	24.80	8.10	6.55	3.66	2.54
				1	800	34.00	22.60		22.20	26.40				3.32	
YH2F42TB21S	TM9E060B12MP12	21.0	XAH/XAHC48F	2	1125	39.50	27.40	15.20	11.70	39.50	24.80	7.80	6.30	3.62	2.50
				1	750	33.60	22.00		22.00	26.20				3.26	
YH2F42TB21S	TM8Y120C20MP11	24.5	XAH/XAHD48F	2	1400	40.50	29.80	16.00	12.00	40.00	25.80	8.10	6.05	3.82	2.66
				1	975	35.20	24.80		22.65	27.00				3.50	
YH2F42TB21S	TM8V100C16MP12C	21.0	XAH/XAHC48F	2	1400	40.00	29.40	16.00	11.70	39.50	26.00	8.10	6.15	3.78	2.62
				1	875	34.40	23.40		22.45	26.60				3.40	
YH2F42TB21S	TM8V080C16MP12C	21.0	XAH/XAHC48F	2	1400	40.00	29.40	16.00	11.70	39.50	26.00	8.10	6.15	3.78	2.62
				1	875	34.40	23.40		22.45	26.60				3.40	
YH2F42TB21S	TMLV100C16MP12C	21.0	XAH/XAHC48F	2	1400	40.00	29.40	16.00	11.70	39.50	26.00	8.10	6.15	3.78	2.62
				1	875	34.40	23.40		22.45	26.60				3.40	
YH2F42TB21S	TPLC080C16MP13C	21.0	XAH/XAHC48F	2	1400	40.00	29.40	16.00	11.70	39.50	26.00	8.10	6.15	3.78	2.62
				1	875	34.40	23.40		22.45	26.60				3.40	
YH2F42TB21S	TPLC100C16MP13C	21.0	XAH/XAHC48F	2	1400	40.00	29.40	16.00	11.70	39.50	26.00	8.10	6.15	3.78	2.62
				1	875	34.40	23.40		22.45	26.60				3.40	
YH2F42TB21S	YPLC080C16MP13C	21.0	XAH/XAHC48F	2	1400	40.00	29.40	16.00	11.70	39.50	26.00	8.10	6.15	3.78	2.62
				1	875	34.40	23.40		22.45	26.60				3.40	
YH2F42TB21S	YPLC100C16MP13C	21.0	XAH/XAHC48F	2	1400	40.00	29.40	16.00	11.70	39.50	26.00	8.10	6.15	3.78	2.62
				1	875	34.40	23.40		22.45	26.60				3.40	
YH2F42TB21S	TM8E130D20MP11	24.5	XAH/XAHD48F	2	1475	41.00	30.80	15.20	11.70	40.50	26.20	8.10	6.00	3.82	2.66
				1	1200	36.20	26.80		21.95	28.20				3.66	
YH2F42TB21S	TMLE130D20MP11	24.5	XAH/XAHD48F	2	1475	41.00	30.80	15.20	11.70	40.50	26.20	8.10	6.00	3.82	2.66
				1	1200	36.20	26.80		21.95	28.20				3.66	
YH2F42TB21S	TM8E130D20MP11	24.5	XAF/XAFD48F	2	1500	41.00	31.20	15.20	11.70	40.50	25.80	7.80	5.90	3.78	2.56
				1	1200	35.80	26.80		21.20	28.20				3.68	
YH2F42TB21S	TMLE130D20MP11	24.5	XAF/XAFD48F	2	1500	41.00	31.20	15.20	11.70	40.50	25.80	7.80	5.90	3.78	2.56
				1	1200	35.80	26.80		21.20	28.20				3.68	
YH2F42TB21S	TM8E120C20MP11	21.0	XAH/XAHC48F	2	1375	40.50	29.80	15.20	12.00	40.00	25.60	8.10	6.05	3.82	2.66
				1	1175	36.00	26.40		21.75	28.20				3.62	
YH2F42TB21S	TMLE120C20MP11	21.0	XAH/XAHC48F	2	1375	40.50	29.80	15.20	12.00	40.00	25.60	8.10	6.05	3.82	2.66
				1	1175	36.00	26.40		21.75	28.20				3.62	
YH2F42TB21S	TM8E120C16MP11	21.0	XAF/XAF/XAUC48F	2	1450	40.50	30.60	15.20	11.00	40.50	25.80	8.10	6.35	3.70	2.54
				1	800	33.80	23.00		22.20	26.20				3.38	
YH2F42TB21S	TMLE120C16MP11	21.0	XAF/XAF/XAUC48F	2	1450	40.50	30.60	15.20	11.00	40.50	25.80	8.10	6.35	3.70	2.54
				1	800	33.80	23.00		22.20	26.20				3.38	
YH2F42TB21S	TM8E100C16MP11	21.0	XAF/XAF/XAUC48F	2	1450	40.50	30.60	15.20	11.00	40.50	25.80	8.10	6.35	3.70	2.52
				1	800	33.80	23.00		22.20	26.20				3.38	
YH2F42TB21S	TMLE100C16MP11	21.0	XAF/XAF/XAUC48F	2	1450	40.50	30.60	15.20	11.00	40.50	25.80	8.10	6.35	3.70	2.52
				1	800	33.80	23.00		22.20	26.20				3.38	
YH2F42TB21S	TM8E080B12MP11	21.0	XAH/XAHC48F	2	1125	39.50	27.40	16.00	11.70	39.50	24.60	8.10	6.55	3.66	2.54
				1	750	33.80	22.20		22.40	26.00				3.28	

Table 12: Furnace capacity - 3.5 ton

Outdoor unit model	Furnace model	Furnace width (in.)	Indoor coil model	Stage	Rated CFM	Net cool (MBH)	Sens cool (MBH)	SEER2	EER2	Net47 (MBH)	Net17 (MBH)	HSPF2 IV	HSPF2 V	Cop47	Cop17
YH2F42TB21S	TMLE080B12MP11	21.0	XAH/XAHC48F	2	1125	39.50	27.40	16.00	11.70	39.50	24.60	8.10	6.55	3.66	2.54
				1	750	33.80	22.20		22.40	26.00	3.28				
YH2F42TB21S	TL9E100C20UH11	21.0	XAH/XAHC48F	2	1450	40.50	30.20	16.00	11.70	40.50	26.20	8.10	6.00	3.80	2.64
				1	1100	35.80	26.00		22.50	27.80	3.60				
YH2F42TB21S	TL9E100C20UH11	24.5	XAF/XAFD48F	2	1475	40.50	30.60	15.20	11.70	40.50	25.80	7.80	6.00	3.74	2.56
				1	1075	35.20	25.60		21.65	27.60	3.60				
YH2F42TB21S	TL9E080C16UH11	24.5	XAF/XAFD48F	2	1300	40.00	29.20	15.20	11.70	40.00	25.40	7.80	6.15	3.68	2.52
				1	875	34.20	23.60		21.70	26.60	3.42				
YH2F42TB21S	TL8E080C16UH11	21.0	XAF/XAF/XAUC48F	2	1250	40.00	29.00	15.20	11.70	40.00	25.20	8.10	6.45	3.68	2.54
				1	900	34.40	24.00		21.65	26.80	3.44				
YH2F42TB21S	TM9Y120D20MP11	24.5	XAF/XAFD48F	2	1450	40.50	30.60	15.20	11.70	40.50	25.60	7.80	6.00	3.74	2.56
				1	925	34.60	24.40		22.10	26.80	3.48				
YH2F42TB21S	TM9Y100C20MP11	24.5	XAF/XAFD48F	2	1400	40.50	30.20	15.20	11.00	40.50	25.80	8.10	6.40	3.70	2.54
				1	1100	35.20	25.80		20.85	28.00	3.56				
YH2F42TB21S	TM9Y100C16MP11	24.5	XAH/XAHD48F	2	1275	40.00	28.60	15.20	11.70	40.00	25.40	8.10	6.30	3.70	2.58
				1	925	34.60	23.80		22.00	27.00	3.42				
YH2F42TB21S	TM9Y080C16MP11	24.5	XAF/XAFD48F	2	1275	40.00	29.00	15.20	11.70	40.00	25.40	7.80	6.15	3.66	2.52
				1	925	34.40	24.20		21.30	27.00	3.44				
YH2F42TB21S	TM9Y080B12MP11	21.0	XAH/XAHC48F	2	1200	39.50	27.80	16.00	11.70	39.50	25.20	7.80	6.25	3.62	2.52
				1	750	33.80	22.20		22.45	26.00	3.28				
YH2F42TB21S	TM9Y080B12MP11	21.0	XAF/XAF/XAUC48F	2	1200	39.50	28.20	15.20	11.00	39.50	25.40	7.80	6.15	3.58	2.48
				1	875	34.00	23.40		21.15	26.80	3.38				
YH2F42TB21S	TM9V120D20MP12C	24.5	XAH/XAHD48F	2	1400	40.50	29.80	16.00	12.00	40.50	25.80	8.10	6.05	3.82	2.66
				1	900	34.60	23.80		22.50	26.80	3.44				
YH2F42TB21S	TP9C120D20MP13C	24.5	XAH/XAHD48F	2	1400	40.50	29.80	16.00	12.00	40.50	25.80	8.10	6.05	3.82	2.66
				1	900	34.60	23.80		22.50	26.80	3.44				
YH2F42TB21S	YP9C120D20MP13C	24.5	XAH/XAHD48F	2	1400	40.50	29.80	16.00	12.00	40.50	25.80	8.10	6.05	3.82	2.66
				1	900	34.60	23.80		22.50	26.80	3.44				
YH2F42TB21S	TM9V100C16MP12C	24.5	XAF/XAFD48F	2	1325	40.50	29.80	15.20	11.70	40.00	25.20	8.10	6.35	3.74	2.56
				1	875	34.20	23.60		21.70	26.60	3.42				
YH2F42TB21S	TP9C100C16MP13C	24.5	XAF/XAFD48F	2	1325	40.50	29.80	15.20	11.70	40.00	25.20	8.10	6.35	3.74	2.56
				1	875	34.20	23.60		21.70	26.60	3.42				
YH2F42TB21S	YP9C100C16MP13C	24.5	XAF/XAFD48F	2	1325	40.50	29.80	15.20	11.70	40.00	25.20	8.10	6.35	3.74	2.56
				1	875	34.20	23.60		21.70	26.60	3.42				
YH2F42TB21S	TM9V080C16MP12C	21.0	XAF/XAF/XAUC48F	2	1225	40.00	28.80	15.20	11.70	40.00	25.20	7.80	6.20	3.66	2.52
				1	800	33.80	23.00		21.50	26.40	3.34				
YH2F42TB21S	TP9C080C16MP13C	21.0	XAF/XAF/XAUC48F	2	1225	40.00	28.80	15.20	11.70	40.00	25.20	7.80	6.20	3.66	2.52
				1	800	33.80	23.00		21.50	26.40	3.34				
YH2F42TB21S	YP9C080C16MP13C	21.0	XAF/XAF/XAUC48F	2	1225	40.00	28.80	15.20	11.70	40.00	25.20	7.80	6.20	3.66	2.52
				1	800	33.80	23.00		21.50	26.40	3.34				
YH2F42TB21S	TM9E080C20MP12	24.5	XAH/XAHD48F	2	1350	40.50	29.60	15.20	12.00	40.00	25.60	8.10	6.05	3.78	2.64
				1	1150	36.00	26.40		21.90	28.00	3.60				
YH2F42TB21S	TM9E080C20MP12	24.5	XAF/XAFD48F	2	1375	40.50	30.20	15.20	11.70	40.00	25.40	8.10	6.30	3.76	2.56
				1	1150	35.40	26.20		21.15	28.00	3.64				
YH2F42TB21S	TM9E080C16MP12	24.5	XAH/XAHD48F	2	1425	40.50	30.00	16.00	11.70	40.50	26.40	8.10	6.25	3.72	2.60
				1	750	33.80	22.20		22.55	26.00	3.28				
YH2F42TB21S	TM8Y120C20MP11	24.5	XAF/XAFD48F	2	1400	40.50	30.20	15.20	11.70	40.00	25.40	8.10	6.30	3.76	2.56
				1	975	34.80	24.80		22.05	27.00	3.54				
YH2F42TB21S	TM8V120C20MP12C	21.0	XAH/XAHC48F	2	1425	40.50	30.00	16.00	11.70	40.50	26.00	8.10	6.10	3.82	2.66
				1	975	35.20	24.80		22.70	27.00	3.52				
YH2F42TB21S	TM8V100C20MP12C	21.0	XAH/XAHC48F	2	1425	40.50	30.00	16.00	11.70	40.50	26.00	8.10	6.10	3.82	2.66
				1	975	35.20	24.80		22.70	27.00	3.52				
YH2F42TB21S	TMLV120C20MP12C	21.0	XAH/XAHC48F	2	1425	40.50	30.00	16.00	11.70	40.50	26.00	8.10	6.10	3.82	2.66
				1	975	35.20	24.80		22.70	27.00	3.52				
YH2F42TB21S	TPLC100C20MP13C	21.0	XAH/XAHC48F	2	1425	40.50	30.00	16.00	11.70	40.50	26.00	8.10	6.10	3.82	2.66
				1	975	35.20	24.80		22.70	27.00	3.52				
YH2F42TB21S	TPLC120C20MP13C	21.0	XAH/XAHC48F	2	1425	40.50	30.00	16.00	11.70	40.50	26.00	8.10	6.10	3.82	2.66
				1	975	35.20	24.80		22.70	27.00	3.52				
YH2F42TB21S	YPLC100C20MP13C	21.0	XAH/XAHC48F	2	1425	40.50	30.00	16.00	11.70	40.50	26.00	8.10	6.10	3.82	2.66
				1	975	35.20	24.80		22.70	27.00	3.52				

Table 12: Furnace capacity - 3.5 ton

Outdoor unit model	Furnace model	Furnace width (in.)	Indoor coil model	Stage	Rated CFM	Net cool (MBH)	Sens cool (MBH)	SEER2	EER2	Net47 (MBH)	Net17 (MBH)	HSPF2 IV	HSPF2 V	Cop47	Cop17
YH2F42TB21S	YPLC120C20MP13C	21.0	XAH/XAHC48F	2	1425	40.50	30.00	16.00	11.70	40.50	26.00	8.10	6.10	3.82	2.66
				1	975	35.20	24.80		22.70	27.00				3.52	
YH2F42TB21S	TM8V100C16MP12C	24.5	XAF/XAFD48F	2	1400	40.50	30.20	15.20	11.70	40.00	25.60	7.80	6.05	3.72	2.54
				1	875	34.20	23.60		21.70	26.60				3.42	
YH2F42TB21S	TM8V080C16MP12C	24.5	XAF/XAFD48F	2	1400	40.50	30.20	15.20	11.70	40.00	25.60	7.80	6.05	3.72	2.54
				1	875	34.20	23.60		21.70	26.60				3.42	
YH2F42TB21S	TMLV100C16MP12C	24.5	XAF/XAFD48F	2	1400	40.50	30.20	15.20	11.70	40.00	25.60	7.80	6.05	3.72	2.54
				1	875	34.20	23.60		21.70	26.60				3.42	
YH2F42TB21S	TPLC080C16MP13C	24.5	XAF/XAFD48F	2	1400	40.50	30.20	15.20	11.70	40.00	25.60	7.80	6.05	3.72	2.54
				1	875	34.20	23.60		21.70	26.60				3.42	
YH2F42TB21S	TPLC100C16MP13C	24.5	XAF/XAFD48F	2	1400	40.50	30.20	15.20	11.70	40.00	25.60	7.80	6.05	3.72	2.54
				1	875	34.20	23.60		21.70	26.60				3.42	
YH2F42TB21S	YPLC080C16MP13C	24.5	XAF/XAFD48F	2	1400	40.50	30.20	15.20	11.70	40.00	25.60	7.80	6.05	3.72	2.54
				1	875	34.20	23.60		21.70	26.60				3.42	
YH2F42TB21S	YPLC100C16MP13C	24.5	XAF/XAFD48F	2	1400	40.50	30.20	15.20	11.70	40.00	25.60	7.80	6.05	3.72	2.54
				1	875	34.20	23.60		21.70	26.60				3.42	
YH2F42TB21S	TM8E120C16MP11	21.0	XAH/XAHC48F	2	1450	40.50	30.20	16.00	11.70	40.50	26.40	8.10	6.15	3.76	2.62
				1	850	34.40	23.40		23.00	26.40				3.40	
YH2F42TB21S	TMLE120C16MP11	21.0	XAH/XAHC48F	2	1450	40.50	30.20	16.00	11.70	40.50	26.40	8.10	6.15	3.76	2.62
				1	850	34.40	23.40		23.00	26.40				3.40	
YH2F42TB21S	TM8E080C20MP11	24.5	XAH/XAHD48F	2	1400	40.50	29.80	15.20	12.00	40.00	25.80	8.10	6.10	3.80	2.64
				1	1150	36.00	26.40		21.95	28.00				3.60	
YH2F42TB21S	TMLE080C20MP11	24.5	XAH/XAHD48F	2	1400	40.50	29.80	15.20	12.00	40.00	25.80	8.10	6.10	3.80	2.64
				1	1150	36.00	26.40		21.95	28.00				3.60	
YH2F42TB21S	TM8E080C20MP11	24.5	XAF/XAFD48F	2	1425	40.50	30.40	15.20	11.70	40.00	25.60	8.10	6.20	3.76	2.58
				1	1175	35.60	26.60		21.30	28.20				3.68	
YH2F42TB21S	TMLE080C20MP11	24.5	XAF/XAFD48F	2	1425	40.50	30.40	15.20	11.70	40.00	25.60	8.10	6.20	3.76	2.58
				1	1175	35.60	26.60		21.30	28.20				3.68	
YH2F42TB21S	TM8E080C16MP11	24.5	XAF/XAFD48F	2	1475	40.50	30.60	15.20	11.00	40.50	25.80	8.10	6.35	3.72	2.54
				1	825	34.00	23.20		22.20	26.40				3.40	
YH2F42TB21S	TMLE080C16MP11	24.5	XAF/XAFD48F	2	1475	40.50	30.60	15.20	11.00	40.50	25.80	8.10	6.35	3.72	2.54
				1	825	34.00	23.20		22.20	26.40				3.40	
YH2F42TB21S	TL9E080C16UH11	24.5	XAH/XAHD48F	2	1300	40.00	28.80	16.00	11.70	40.00	25.60	8.10	6.30	3.72	2.60
				1	875	34.40	23.40		22.25	26.60				3.38	
YH2F42TB21S	TL9E060B12UH11	21.0	XAH/XAHC48F	2	1125	39.50	27.40	15.20	11.70	39.50	24.80	7.80	6.25	3.60	2.50
				1	700	33.40	21.60		22.05	26.00				3.22	
YH2F42TB21S	TL8E100C20UH11	21.0	XAH/XAHC48F	2	1475	41.00	30.80	16.00	11.70	40.50	26.20	8.10	6.00	3.84	2.66
				1	1025	35.40	25.20		22.80	27.20				3.56	
YH2F42TB21S	TL8E100C20UH11	21.0	XAF/XAF/XAUC48F	2	1475	41.00	31.20	15.20	11.70	40.50	25.60	8.10	6.20	3.76	2.56
				1	1025	35.00	25.20		22.05	27.40				3.58	
YH2F42TB21S	TL8E080C16UH11	24.5	XAH/XAHD48F	2	1250	40.00	28.60	16.00	12.00	40.00	25.20	8.10	6.30	3.74	2.60
				1	900	34.60	23.80		22.25	26.80				3.40	
YH2F42TB21S	TM9Y120D20MP11	24.5	XAH/XAHD48F	2	1450	40.50	30.20	16.00	11.70	40.50	26.20	8.10	6.10	3.80	2.64
				1	925	34.80	24.00		22.70	26.80				3.46	
YH2F42TB21S	TM9Y100C20MP11	21.0	XAF/XAF/XAUC48F	2	1375	40.50	30.20	14.30	11.00	40.50	25.60	8.10	6.35	3.68	2.52
				1	1100	35.20	25.80		20.85	28.00				3.56	
YH2F42TB21S	TM9V100C20MP12C	24.5	XAH/XAHD48F	2	1375	40.50	29.80	16.00	11.70	40.00	25.80	8.10	6.15	3.78	2.62
				1	825	34.20	23.00		22.30	26.40				3.36	
YH2F42TB21S	TP9C100C20MP13C	24.5	XAH/XAHD48F	2	1375	40.50	29.80	16.00	11.70	40.00	25.80	8.10	6.15	3.78	2.62
				1	825	34.20	23.00		22.30	26.40				3.36	
YH2F42TB21S	YP9C100C20MP13C	24.5	XAH/XAHD48F	2	1375	40.50	29.80	16.00	11.70	40.00	25.80	8.10	6.15	3.78	2.62
				1	825	34.20	23.00		22.30	26.40				3.36	
YH2F42TB21S	TM9V100C16MP12C	21.0	XAH/XAHC48F	2	1250	40.00	28.60	16.00	12.00	40.00	25.00	8.10	6.30	3.76	2.62
				1	850	34.40	23.40		22.35	26.60				3.38	
YH2F42TB21S	TP9C100C16MP13C	21.0	XAH/XAHC48F	2	1250	40.00	28.60	16.00	12.00	40.00	25.00	8.10	6.30	3.76	2.62
				1	850	34.40	23.40		22.35	26.60				3.38	
YH2F42TB21S	YP9C100C16MP13C	21.0	XAH/XAHC48F	2	1250	40.00	28.60	16.00	12.00	40.00	25.00	8.10	6.30	3.76	2.62
				1	850	34.40	23.40		22.35	26.60				3.38	
YH2F42TB21S	TM9V080C16MP12C	21.0	XAH/XAHC48F	2	1225	40.00	28.40	15.20	11.70	40.00	25.20	8.10	6.40	3.70	2.58
				1	800	34.00	22.60		22.15	26.40				3.32	

Table 12: Furnace capacity - 3.5 ton

Outdoor unit model	Furnace model	Furnace width (in.)	Indoor coil model	Stage	Rated CFM	Net cool (MBH)	Sens cool (MBH)	SEER2	EER2	Net47 (MBH)	Net17 (MBH)	HSPF2 IV	HSPF2 V	Cop47	Cop17
YH2F42TB21S	TP9C080C16MP13C	21.0	XAH/XAHC48F	2	1225	40.00	28.40	15.20	11.70	40.00	25.20	8.10	6.40	3.70	2.58
				1	800	34.00	22.60		22.15	26.40	3.32				
YH2F42TB21S	YP9C080C16MP13C	21.0	XAH/XAHC48F	2	1225	40.00	28.40	15.20	11.70	40.00	25.20	8.10	6.40	3.70	2.58
				1	800	34.00	22.60		22.15	26.40	3.32				
YH2F42TB21S	TM9V080C16MP12C	24.5	XAF/XAFD48F	2	1225	40.00	28.80	15.20	11.70	40.00	25.20	7.80	6.15	3.66	2.52
				1	800	33.80	23.00		21.50	26.40	3.34				
YH2F42TB21S	TP9C080C16MP13C	24.5	XAF/XAFD48F	2	1225	40.00	28.80	15.20	11.70	40.00	25.20	7.80	6.15	3.66	2.52
				1	800	33.80	23.00		21.50	26.40	3.34				
YH2F42TB21S	YP9C080C16MP13C	24.5	XAF/XAFD48F	2	1225	40.00	28.80	15.20	11.70	40.00	25.20	7.80	6.15	3.66	2.52
				1	800	33.80	23.00		21.50	26.40	3.34				
YH2F42TB21S	TM9V060B12MP12C	21.0	XAH/XAHC48F	2	1125	39.50	27.40	15.20	11.70	39.50	24.80	8.10	6.55	3.62	2.52
				1	700	33.40	21.60		21.90	25.80	3.22				
YH2F42TB21S	TP9C060B12MP13C	21.0	XAH/XAHC48F	2	1125	39.50	27.40	15.20	11.70	39.50	24.80	8.10	6.55	3.62	2.52
				1	700	33.40	21.60		21.90	25.80	3.22				
YH2F42TB21S	YP9C060B12MP13C	21.0	XAH/XAHC48F	2	1125	39.50	27.40	15.20	11.70	39.50	24.80	8.10	6.55	3.62	2.52
				1	700	33.40	21.60		21.90	25.80	3.22				
YH2F42TB21S	TM9E100C16MP12	24.5	XAH/XAHD48F	2	1475	40.50	30.20	16.00	11.00	40.50	26.60	8.10	6.25	3.72	2.60
				1	775	34.00	22.60		22.55	26.20	3.30				
YH2F42TB21S	TM9E100C16MP12	21.0	XAF/XAF/XAUC48F	2	1475	40.50	30.60	15.20	11.00	40.00	26.20	8.10	6.45	3.66	2.50
				1	800	33.80	23.00		22.15	26.20	3.36				
YH2F42TB21S	TM9E080C20MP12	21.0	XAF/XAF/XAUC48F	2	1350	40.50	30.00	15.20	11.70	40.00	25.40	8.10	6.30	3.74	2.56
				1	1125	35.40	26.00		21.05	28.00	3.60				
YH2F42TB21S	TM9E080C16MP12	24.5	XAF/XAFD48F	2	1425	40.50	30.40	15.20	11.00	40.50	26.00	8.10	6.45	3.66	2.50
				1	900	34.40	24.00		21.85	26.80	3.44				
YH2F42TB21S	TM9E080C16MP12	21.0	XAF/XAF/XAUC48F	2	1425	40.50	30.40	15.20	11.50	40.50	26.00	8.10	6.45	3.66	2.50
				1	900	34.40	24.00		21.85	26.80	3.44				
YH2F42TB21S	TM8Y120C20MP11	21.0	XAF/XAF/XAUC48F	2	1375	40.50	30.20	15.20	11.70	40.00	25.40	8.10	6.25	3.74	2.56
				1	975	34.80	24.80		22.00	27.00	3.52				
YH2F42TB21S	TM8V100C16MP12C	24.5	XAH/XAHD48F	2	1400	40.50	29.80	15.20	11.70	40.00	26.00	8.10	6.15	3.78	2.62
				1	875	34.40	23.40		22.25	26.60	3.40				
YH2F42TB21S	TMLV100C16MP12C	24.5	XAH/XAHD48F	2	1400	40.50	29.80	15.20	11.70	40.00	26.00	8.10	6.15	3.78	2.62
				1	875	34.40	23.40		22.25	26.60	3.40				
YH2F42TB21S	TPLC080C16MP13C	24.5	XAH/XAHD48F	2	1400	40.50	29.80	15.20	11.70	40.00	26.00	8.10	6.15	3.78	2.62
				1	875	34.40	23.40		22.25	26.60	3.40				
YH2F42TB21S	TPLC100C16MP13C	24.5	XAH/XAHD48F	2	1400	40.50	29.80	15.20	11.70	40.00	26.00	8.10	6.15	3.78	2.62
				1	875	34.40	23.40		22.25	26.60	3.40				
YH2F42TB21S	YPLC080C16MP13C	24.5	XAH/XAHD48F	2	1400	40.50	29.80	15.20	11.70	40.00	26.00	8.10	6.15	3.78	2.62
				1	875	34.40	23.40		22.25	26.60	3.40				
YH2F42TB21S	YPLC100C16MP13C	24.5	XAH/XAHD48F	2	1400	40.50	29.80	15.20	11.70	40.00	26.00	8.10	6.15	3.78	2.62
				1	875	34.40	23.40		22.25	26.60	3.40				
YH2F42TB21S	TM8V080B12MP12C	21.0	XAH/XAHC48F	2	1100	39.50	27.40	15.20	11.70	39.50	24.80	7.80	6.25	3.60	2.50
				1	725	33.40	21.80		21.80	26.00	3.24				
YH2F42TB21S	TPLC080B12MP13C	21.0	XAH/XAHC48F	2	1100	39.50	27.40	15.20	11.70	39.50	24.80	7.80	6.25	3.60	2.50
				1	725	33.40	21.80		21.80	26.00	3.24				
YH2F42TB21S	YPLC080B12MP13C	21.0	XAH/XAHC48F	2	1100	39.50	27.40	15.20	11.70	39.50	24.80	7.80	6.25	3.60	2.50
				1	725	33.40	21.80		21.80	26.00	3.24				
YH2F42TB21S	TM8E100C16MP11	24.5	XAH/XAHD48F	2	1450	40.50	30.20	16.00	11.70	40.50	26.40	8.10	6.15	3.76	2.62
				1	800	34.00	22.60		22.70	26.20	3.34				
YH2F42TB21S	TMLE100C16MP11	24.5	XAH/XAHD48F	2	1450	40.50	30.20	16.00	11.70	40.50	26.40	8.10	6.15	3.76	2.62
				1	800	34.00	22.60		22.70	26.20	3.34				
YH2F42TB21S	TM8E100C16MP11	21.0	XAH/XAHC48F	2	1450	40.50	30.20	16.00	11.70	40.50	26.40	8.10	6.15	3.76	2.62
				1	825	34.20	23.00		22.85	26.40	3.38				
YH2F42TB21S	TMLE100C16MP11	21.0	XAH/XAHC48F	2	1450	40.50	30.20	16.00	11.70	40.50	26.40	8.10	6.15	3.76	2.62
				1	825	34.20	23.00		22.85	26.40	3.38				
YH2F42TB21S	TM8E080C16MP11	21.0	XAF/XAF/XAUC48F	2	1450	40.50	30.60	15.20	11.00	40.50	25.80	8.10	6.35	3.70	2.52
				1	825	34.00	23.20		22.20	26.40	3.40				
YH2F42TB21S	TMLE080C16MP11	21.0	XAF/XAF/XAUC48F	2	1450	40.50	30.60	15.20	11.00	40.50	25.80	8.10	6.35	3.70	2.52
				1	825	34.00	23.20		22.20	26.40	3.40				
YH2F42TB21S	TL9E080C16UH11	21.0	XAH/XAHC48F	2	1300	40.00	28.80	16.00	11.70	40.00	25.60	8.10	6.30	3.72	2.60
				1	900	34.60	23.80		22.40	26.80	3.42				

Table 12: Furnace capacity - 3.5 ton

Outdoor unit model	Furnace model	Furnace width (in.)	Indoor coil model	Stage	Rated CFM	Net cool (MBH)	Sens cool (MBH)	SEER2	EER2	Net47 (MBH)	Net17 (MBH)	HSPF2 IV	HSPF2 V	Cop47	Cop17
YH2F42TB21S	TL8E080C16UH11	24.5	XAF/XAFD48F	2	1250	40.00	29.00	15.20	11.70	40.00	25.20	8.10	6.45	3.68	2.54
				1	900	34.40	24.00		21.70	26.80				3.44	
YH2F42TB21S	TM8Y100C20MP11	21.0	XAF/XAF/XAUC48F	2	1375	40.50	30.20	15.20	11.70	40.00	25.40	8.10	6.25	3.74	2.56
				1	975	34.80	24.80		22.00	27.00				3.52	
YH2F42TB21S	TM8Y100C16MP11	24.5	XAH/XAHD48F	2	1225	40.00	28.40	16.00	12.00	40.00	25.00	8.10	6.40	3.74	2.60
				1	750	33.80	22.20		22.65	26.00				3.30	
YH2F42TB21S	TM8Y100C20MP11	21.0	XAH/XAHC48F	2	1400	40.50	29.80	16.00	12.00	40.00	25.80	8.10	6.05	3.82	2.64
				1	1000	35.20	24.80		22.80	27.20				3.54	
YH2F42TB21S	TM8Y100C16MP11	21.0	XAH/XAHC48F	2	1400	40.00	29.40	16.00	11.70	40.00	26.00	8.10	6.25	3.76	2.62
				1	800	34.20	22.80		23.10	26.20				3.36	
YH2F42TB21S	TM8Y080B12MP11	21.0	XAH/XAHC48F	2	1075	39.50	27.20	16.00	12.00	39.50	24.40	8.10	6.50	3.66	2.54
				1	700	33.40	21.60		22.40	25.80				3.24	
YH2F42TB21S	TM8Y100C20MP11	24.5	XAH/XAHD48F	2	1400	40.50	29.80	16.00	12.00	40.00	25.80	8.10	6.05	3.82	2.66
				1	975	35.20	24.80		22.65	27.00				3.50	
YH2F42TB21S	TM8Y100C20MP11	24.5	XAF/XAFD48F	2	1400	40.50	30.20	15.20	11.70	40.00	25.40	8.10	6.30	3.76	2.56
				1	975	34.80	24.80		22.05	27.00				3.54	
YH2F42TB21S	TM8Y100C16MP11	21.0	XAF/XAF/XAUC48F	2	1225	40.00	28.80	15.20	11.70	39.50	25.00	8.10	6.35	3.70	2.56
				1	925	34.40	24.20		21.65	27.00				3.46	
YH2F42TB21S	TM8Y100C16MP11	24.5	XAF/XAFD48F	2	1225	40.00	28.80	15.20	11.70	39.50	25.00	8.10	6.35	3.70	2.56
				1	925	34.40	24.20		21.65	27.00				3.46	
YH2F42TB21S	TM9Y100C20MP11	24.5	XAF/XAFD48F	2	1400	40.50	30.20	15.20	11.00	40.50	25.80	8.10	6.25	3.70	2.54
				1	1100	35.20	25.80		20.85	28.00				3.56	

Furnace capacity - 4 ton

Table 13: Furnace capacity - 4 ton

Outdoor unit model	Furnace model	Furnace width (in.)	Indoor coil model	Stage	Rated CFM	Net cool (MBH)	Sens cool (MBH)	SEER2	EER2	Net47 (MBH)	Net17 (MBH)	HSPF2 IV	HSPF2 V	Cop47	Cop17
YH2F48TB21S	TM9Y100C16MP11	24.5	XAH/XAHD60H	2	1250	45.00	31.40	15.20	11.70	44.00	30.40	8.10	6.05	3.74	2.86
				1	1000	39.00	26.40		22.50	31.80				3.58	
YH2F48TB21S	TM9Y080C16MP11	21.0	XAF/XAFC60H	2	1250	45.00	30.60	15.20	11.70	43.50	29.40	7.80	6.35	3.62	2.70
				1	1000	39.00	26.80		21.60	31.80				3.56	
YH2F48TB21S	TM9V120D20MP12C	24.5	XAF/XAF/XAUD60H	2	1425	45.50	31.80	15.20	11.70	44.00	29.40	7.80	6.30	3.72	2.74
				1	925	38.50	26.00		22.05	31.40				3.54	
YH2F48TB21S	TP9C120D20MP13C	24.5	XAF/XAF/XAUD60H	2	1425	45.50	31.80	15.20	11.70	44.00	29.40	7.80	6.30	3.72	2.74
				1	925	38.50	26.00		22.05	31.40				3.54	
YH2F48TB21S	YP9C120D20MP13C	24.5	XAF/XAF/XAUD60H	2	1425	45.50	31.80	15.20	11.70	44.00	29.40	7.80	6.30	3.72	2.74
				1	925	38.50	26.00		22.05	31.40				3.54	
YH2F48TB21S	TM9V100C20MP12C	24.5	XAF/XAF/XAUD60H	2	1275	45.00	30.80	15.20	11.70	43.50	29.40	7.80	6.35	3.66	2.72
				1	800	37.60	24.80		21.80	30.80				3.40	
YH2F48TB21S	TP9C100C20MP13C	24.5	XAF/XAF/XAUD60H	2	1275	45.00	30.80	15.20	11.70	43.50	29.40	7.80	6.35	3.66	2.72
				1	800	37.60	24.80		21.80	30.80				3.40	
YH2F48TB21S	YP9C100C20MP13C	24.5	XAF/XAF/XAUD60H	2	1275	45.00	30.80	15.20	11.70	43.50	29.40	7.80	6.35	3.66	2.72
				1	800	37.60	24.80		21.80	30.80				3.40	
YH2F48TB21S	TM9V080B12MP12C	21.0	XAF/XAFC60H	2	1250	44.50	30.20	15.20	11.00	43.50	29.60	7.50	6.10	3.58	2.66
				1	825	37.60	24.80		21.65	31.00				3.42	
YH2F48TB21S	TP9C080B12MP13C	21.0	XAF/XAFC60H	2	1250	44.50	30.20	15.20	11.00	43.50	29.60	7.50	6.10	3.58	2.66
				1	825	37.60	24.80		21.65	31.00				3.42	
YH2F48TB21S	YP9C080B12MP13C	21.0	XAF/XAFC60H	2	1250	44.50	30.20	15.20	11.00	43.50	29.60	7.50	6.10	3.58	2.66
				1	825	37.60	24.80		21.65	31.00				3.42	
YH2F48TB21S	TM9E100C16MP12	24.5	XAH/XAHD60H	2	1250	45.00	31.40	15.20	11.70	44.00	30.40	7.80	5.90	3.76	2.86
				1	825	38.50	25.00		22.90	31.00				3.42	
YH2F48TB21S	TM9E080C20MP12	24.5	XAF/XAF/XAUD60H	2	1400	45.50	31.60	15.20	11.70	43.50	29.40	8.10	6.60	3.70	2.72
				1	1225	40.00	28.60		21.70	32.80				3.80	
YH2F48TB21S	TM9E080C16MP12	24.5	XAH/XAHD60H	2	1250	45.00	31.40	15.20	11.70	44.00	30.40	7.80	5.90	3.74	2.86
				1	925	39.00	26.00		22.60	31.40				3.50	
YH2F48TB21S	TM9E060B12MP12	21.0	XAH/XAHC60H	2	1225	44.50	30.80	15.20	11.00	44.50	30.60	8.10	6.45	3.66	2.80
				1	825	38.50	25.00		22.70	31.00				3.40	
YH2F48TB21S	TM8Y120C20MP11	24.5	XAH/XAHD60H	2	1350	45.50	32.40	16.00	11.70	44.00	30.40	8.10	5.90	3.82	2.90
				1	1025	39.50	26.80		22.90	31.80				3.62	
YH2F48TB21S	TM8Y080C16MP11	24.5	XAH/XAHD60H	2	1350	45.50	32.40	16.00	11.70	44.00	30.60	7.80	5.90	3.80	2.86
				1	800	38.00	24.40		23.25	30.80				3.42	
YH2F48TB21S	TM8V100C20MP12C	21.0	XAH/XAHC60H	2	1525	46.00	33.80	16.00	11.70	44.50	30.60	8.10	5.80	3.88	2.90
				1	1050	39.50	27.20		23.30	31.80				3.68	
YH2F48TB21S	TM8V100C16MP12C	24.5	XAH/XAHD60H	2	1275	45.00	31.60	15.20	11.70	44.00	30.40	7.80	5.90	3.78	2.88
				1	850	38.50	25.20		22.90	31.00				3.46	
YH2F48TB21S	TM8V080C16MP12C	24.5	XAH/XAHD60H	2	1275	45.00	31.60	15.20	11.70	44.00	30.40	7.80	5.90	3.78	2.88
				1	850	38.50	25.20		22.90	31.00				3.46	
YH2F48TB21S	TMLV100C16MP12C	24.5	XAH/XAHD60H	2	1275	45.00	31.60	15.20	11.70	44.00	30.40	7.80	5.90	3.78	2.88
				1	850	38.50	25.20		22.90	31.00				3.46	
YH2F48TB21S	TPLC080C16MP13C	24.5	XAH/XAHD60H	2	1275	45.00	31.60	15.20	11.70	44.00	30.40	7.80	5.90	3.78	2.88
				1	850	38.50	25.20		22.90	31.00				3.46	
YH2F48TB21S	TPLC100C16MP13C	24.5	XAH/XAHD60H	2	1275	45.00	31.60	15.20	11.70	44.00	30.40	7.80	5.90	3.78	2.88
				1	850	38.50	25.20		22.90	31.00				3.46	
YH2F48TB21S	YPLC080C16MP13C	24.5	XAH/XAHD60H	2	1275	45.00	31.60	15.20	11.70	44.00	30.40	7.80	5.90	3.78	2.88
				1	850	38.50	25.20		22.90	31.00				3.46	
YH2F48TB21S	YPLC100C16MP13C	24.5	XAH/XAHD60H	2	1275	45.00	31.60	15.20	11.70	44.00	30.40	7.80	5.90	3.78	2.88
				1	850	38.50	25.20		22.90	31.00				3.46	
YH2F48TB21S	TM8V100C16MP12C	24.5	XAF/XAF/XAUD60H	2	1275	45.00	30.80	15.20	11.70	43.50	29.40	7.80	6.35	3.64	2.70
				1	850	37.80	25.00		21.80	31.00				3.44	
YH2F48TB21S	TM8V080C16MP12C	24.5	XAF/XAF/XAUD60H	2	1275	45.00	30.80	15.20	11.70	43.50	29.40	7.80	6.35	3.64	2.70
				1	850	37.80	25.00		21.80	31.00				3.44	
YH2F48TB21S	TMLV100C16MP12C	24.5	XAF/XAF/XAUD60H	2	1275	45.00	30.80	15.20	11.70	43.50	29.40	7.80	6.35	3.64	2.70
				1	850	37.80	25.00		21.80	31.00				3.44	
YH2F48TB21S	TPLC080C16MP13C	24.5	XAF/XAF/XAUD60H	2	1275	45.00	30.80	15.20	11.70	43.50	29.40	7.80	6.35	3.64	2.70
				1	850	37.80	25.00		21.80	31.00				3.44	

Table 13: Furnace capacity - 4 ton

Outdoor unit model	Furnace model	Furnace width (in.)	Indoor coil model	Stage	Rated CFM	Net cool (MBH)	Sens cool (MBH)	SEER2	EER2	Net47 (MBH)	Net17 (MBH)	HSPF2 IV	HSPF2 V	Cop47	Cop17
YH2F48TB21S	TPLC100C16MP13C	24.5	XAF/XAF/XAUD60H	2	1275	45.00	30.80	15.20	11.70	43.50	29.40	7.80	6.35	3.64	2.70
				1	850	37.80	25.00		21.80	31.00				3.44	
YH2F48TB21S	YPLC080C16MP13C	24.5	XAF/XAF/XAUD60H	2	1275	45.00	30.80	15.20	11.70	43.50	29.40	7.80	6.35	3.64	2.70
				1	850	37.80	25.00		21.80	31.00				3.44	
YH2F48TB21S	YPLC100C16MP13C	24.5	XAF/XAF/XAUD60H	2	1275	45.00	30.80	15.20	11.70	43.50	29.40	7.80	6.35	3.64	2.70
				1	850	37.80	25.00		21.80	31.00				3.44	
YH2F48TB21S	TM8V080C16MP12C	21.0	XAH/XAHC60H	2	1275	45.50	32.00	16.00	11.70	44.00	30.20	8.10	6.05	3.80	2.90
				1	850	38.50	25.20		23.25	31.00				3.48	
YH2F48TB21S	TM8E130D20MP11	24.5	XAF/XAF/XAUD60H	2	1625	46.00	32.80	15.20	11.70	44.50	29.80	7.80	6.15	3.76	2.72
				1	1300	40.50	29.40		21.85	33.00				3.88	
YH2F48TB21S	TMLE130D20MP11	24.5	XAF/XAF/XAUD60H	2	1625	46.00	32.80	15.20	11.70	44.50	29.80	7.80	6.15	3.76	2.72
				1	1300	40.50	29.40		21.85	33.00				3.88	
YH2F48TB21S	TM8E100C16MP11	21.0	XAH/XAHC60H	2	1300	45.50	32.00	16.00	11.70	44.00	30.40	8.10	6.05	3.80	2.88
				1	900	39.00	25.80		23.35	31.20				3.52	
YH2F48TB21S	TMLE100C16MP11	21.0	XAH/XAHC60H	2	1300	45.50	32.00	16.00	11.70	44.00	30.40	8.10	6.05	3.80	2.88
				1	900	39.00	25.80		23.35	31.20				3.52	
YH2F48TB21S	TM8E080C20MP11	21.0	XAH/XAHC60H	2	1550	46.00	33.80	16.00	11.70	44.50	30.80	8.10	5.80	3.88	2.88
				1	1300	41.00	29.80		22.55	33.00				3.90	
YH2F48TB21S	TMLE080C20MP11	21.0	XAH/XAHC60H	2	1550	46.00	33.80	16.00	11.70	44.50	30.80	8.10	5.80	3.88	2.88
				1	1300	41.00	29.80		22.55	33.00				3.90	
YH2F48TB21S	TM8E080C20MP11	24.5	XAF/XAF/XAUD60H	2	1550	46.00	32.60	15.20	11.70	44.00	29.60	7.80	6.15	3.74	2.72
				1	1275	40.50	29.20		21.90	33.00				3.86	
YH2F48TB21S	TMLE080C20MP11	24.5	XAF/XAF/XAUD60H	2	1550	46.00	32.60	15.20	11.70	44.00	29.60	7.80	6.15	3.74	2.72
				1	1275	40.50	29.20		21.90	33.00				3.86	
YH2F48TB21S	TL9E080C16UH11	21.0	XAF/XAFC60H	2	1250	45.00	30.60	15.20	11.70	43.50	29.40	7.80	6.35	3.62	2.70
				1	925	38.50	26.00		21.80	31.40				3.50	
YH2F48TB21S	TL8E100C20UH11	24.5	XAF/XAF/XAUD60H	2	1375	45.50	31.60	15.20	11.70	43.50	29.40	8.10	6.55	3.70	2.72
				1	1075	39.50	27.60		22.15	32.00				3.68	
YH2F48TB21S	TM9Y080B12MP11	21.0	XAH/XAHC60G	2	1225	45.00	30.60	15.20	11.00	45.00	30.00	7.50	6.10	3.50	2.62
				1	900	38.00	25.40		21.80	33.20				3.50	
YH2F48TB21S	TM9E120D20MP12	21.0	XAH/XAHD60G	2	1475	46.00	32.80	15.20	11.70	45.50	30.40	7.80	6.30	3.64	2.66
				1	1175	40.00	28.40		21.85	34.60				3.80	
YH2F48TB21S	TM9E100C20MP12	21.0	XAH/XAHC60G	2	1375	46.00	32.40	15.20	11.70	45.00	30.00	7.80	6.30	3.64	2.70
				1	1150	39.50	27.80		22.05	34.40				3.80	
YH2F48TB21S	TM9E100C16MP12	21.0	XAH/XAHC60G	2	1500	46.00	33.00	15.20	11.00	46.00	30.80	7.50	6.05	3.60	2.64
				1	875	38.00	25.40		22.90	32.80				3.54	
YH2F48TB21S	TM8Y120C20MP11	21.0	XAH/XAHC60G	2	1425	46.50	33.20	16.00	11.70	45.00	30.20	7.80	6.30	3.66	2.70
				1	1025	39.00	27.00		22.85	33.60				3.70	
YH2F48TB21S	TM8Y120C20MP11	24.5	XAF/XAF/XAUD60G	2	1750	45.50	33.00	15.20	10.50	48.00	32.60	8.10	6.25	3.74	2.74
				1	1025	39.00	26.60		22.45	33.60				3.70	
YH2F48TB21S	TM8V100C20MP12C	21.0	XAH/XAHD60G	2	1750	47.00	35.20	15.20	11.00	46.50	31.20	7.80	6.25	3.70	2.66
				1	1175	40.00	28.40		22.30	34.60				3.86	
YH2F48TB21S	TM8V100C16MP12C	24.5	XAF/XAF/XAUD60G	2	1450	45.00	31.60	14.30	10.50	47.00	32.00	8.10	6.30	3.68	2.76
				1	975	38.00	25.40		21.65	33.40				3.62	
YH2F48TB21S	TM8V080C16MP12C	24.5	XAF/XAF/XAUD60G	2	1450	45.00	31.60	14.30	10.50	47.00	32.00	8.10	6.30	3.68	2.76
				1	975	38.00	25.40		21.65	33.40				3.62	
YH2F48TB21S	TMLV100C16MP12C	24.5	XAF/XAF/XAUD60G	2	1450	45.00	31.60	14.30	10.50	47.00	32.00	8.10	6.30	3.68	2.76
				1	975	38.00	25.40		21.65	33.40				3.62	
YH2F48TB21S	TPLC080C16MP13C	24.5	XAF/XAF/XAUD60G	2	1450	45.00	31.60	14.30	10.50	47.00	32.00	8.10	6.30	3.68	2.76
				1	975	38.00	25.40		21.65	33.40				3.62	
YH2F48TB21S	TPLC100C16MP13C	24.5	XAF/XAF/XAUD60G	2	1450	45.00	31.60	14.30	10.50	47.00	32.00	8.10	6.30	3.68	2.76
				1	975	38.00	25.40		21.65	33.40				3.62	
YH2F48TB21S	YPLC080C16MP13C	24.5	XAF/XAF/XAUD60G	2	1450	45.00	31.60	14.30	10.50	47.00	32.00	8.10	6.30	3.68	2.76
				1	975	38.00	25.40		21.65	33.40				3.62	
YH2F48TB21S	YPLC100C16MP13C	24.5	XAF/XAF/XAUD60G	2	1450	45.00	31.60	14.30	10.50	47.00	32.00	8.10	6.30	3.68	2.76
				1	975	38.00	25.40		21.65	33.40				3.62	
YH2F48TB21S	TM8E120C16MP11	21.0	XAF/XAF/XAUC60G	2	1475	45.00	31.60	15.20	10.50	47.50	32.00	8.10	6.40	3.68	2.76
				1	825	37.20	24.00		21.90	32.60				3.46	
YH2F48TB21S	TMLE120C16MP11	21.0	XAF/XAF/XAUC60G	2	1475	45.00	31.60	15.20	10.50	47.50	32.00	8.10	6.40	3.68	2.76
				1	825	37.20	24.00		21.90	32.60				3.46	

Table 13: Furnace capacity - 4 ton

Outdoor unit model	Furnace model	Furnace width (in.)	Indoor coil model	Stage	Rated CFM	Net cool (MBH)	Sens cool (MBH)	SEER2	EER2	Net47 (MBH)	Net17 (MBH)	HSPF2 IV	HSPF2 V	Cop47	Cop17
YH2F48TB21S	TM8E100C20MP11	24.5	XAF/XAF/XAUD60G	2	1625	45.50	32.60	14.30	10.50	48.00	32.20	8.10	6.25	3.72	2.76
				1	1200	40.00	28.40		22.00	34.80				3.86	
YH2F48TB21S	TMLE100C20MP11	24.5	XAF/XAF/XAUD60G	2	1625	45.50	32.60	14.30	10.50	48.00	32.20	8.10	6.25	3.72	2.76
				1	1200	40.00	28.40		22.00	34.80				3.86	
YH2F48TB21S	TM8E100C16MP11	21.0	XAH/XAHD60G	2	1450	46.00	32.80	15.20	11.00	45.50	30.40	7.50	6.05	3.60	2.66
				1	800	37.60	24.60		22.45	32.60				3.44	
YH2F48TB21S	TMLE100C16MP11	21.0	XAH/XAHD60G	2	1450	46.00	32.80	15.20	11.00	45.50	30.40	7.50	6.05	3.60	2.66
				1	800	37.60	24.60		22.45	32.60				3.44	
YH2F48TB21S	TM8E100C16MP11	24.5	XAF/XAF/XAUD60G	2	1475	45.00	31.60	14.30	10.50	47.50	32.00	8.10	6.35	3.68	2.76
				1	800	37.00	23.60		21.75	32.60				3.44	
YH2F48TB21S	TMLE100C16MP11	24.5	XAF/XAF/XAUD60G	2	1475	45.00	31.60	14.30	10.50	47.50	32.00	8.10	6.35	3.68	2.76
				1	800	37.00	23.60		21.75	32.60				3.44	
YH2F48TB21S	TM8E080C20MP11	21.0	XAF/XAF/XAUC60G	2	1625	45.50	32.60	15.20	10.50	48.00	32.20	8.10	6.15	3.72	2.76
				1	1225	40.00	28.60		22.15	34.80				3.90	
YH2F48TB21S	TMLE080C20MP11	21.0	XAF/XAF/XAUC60G	2	1625	45.50	32.60	15.20	10.50	48.00	32.20	8.10	6.15	3.72	2.76
				1	1225	40.00	28.60		22.15	34.80				3.90	
YH2F48TB21S	TM8E080C16MP11	21.0	XAF/XAF/XAUC60G	2	1475	45.00	31.60	15.20	10.50	47.50	32.00	8.10	6.40	3.68	2.76
				1	850	37.40	24.20		22.00	32.80				3.50	
YH2F48TB21S	TMLE080C16MP11	21.0	XAF/XAF/XAUC60G	2	1475	45.00	31.60	15.20	10.50	47.50	32.00	8.10	6.40	3.68	2.76
				1	850	37.40	24.20		22.00	32.80				3.50	
YH2F48TB21S	TM9Y100C16MP11	21.0	XAH/XAHC60H	2	1275	45.00	31.60	16.00	11.70	44.00	30.40	8.10	6.05	3.78	2.88
				1	1050	39.50	27.20		22.75	32.00				3.64	
YH2F48TB21S	TM9Y080C16MP11	24.5	XAF/XAF/XAUD60H	2	1225	44.50	30.00	15.20	11.70	43.50	29.40	7.80	6.35	3.60	2.68
				1	975	38.50	26.20		21.40	31.80				3.52	
YH2F48TB21S	TM9V080C16MP12C	21.0	XAF/XAFC60H	2	1300	45.00	30.80	15.20	11.70	43.50	29.40	7.80	6.35	3.64	2.70
				1	875	38.00	25.40		21.70	31.20				3.46	
YH2F48TB21S	TP9C080C16MP13C	21.0	XAF/XAFC60H	2	1300	45.00	30.80	15.20	11.70	43.50	29.40	7.80	6.35	3.64	2.70
				1	875	38.00	25.40		21.70	31.20				3.46	
YH2F48TB21S	YP9C080C16MP13C	21.0	XAF/XAFC60H	2	1300	45.00	30.80	15.20	11.70	43.50	29.40	7.80	6.35	3.64	2.70
				1	875	38.00	25.40		21.70	31.20				3.46	
YH2F48TB21S	TM9V080B12MP12C	21.0	XAH/XAHC60H	2	1250	45.00	31.40	15.20	11.00	44.00	30.40	8.10	6.35	3.72	2.84
				1	800	38.00	24.40		22.95	30.80				3.40	
YH2F48TB21S	TP9C080B12MP13C	21.0	XAH/XAHC60H	2	1250	45.00	31.40	15.20	11.00	44.00	30.40	8.10	6.35	3.72	2.84
				1	800	38.00	24.40		22.95	30.80				3.40	
YH2F48TB21S	YP9C080B12MP13C	21.0	XAH/XAHC60H	2	1250	45.00	31.40	15.20	11.00	44.00	30.40	8.10	6.35	3.72	2.84
				1	800	38.00	24.40		22.95	30.80				3.40	
YH2F48TB21S	TM9E080C20MP12	21.0	XAH/XAHC60H	2	1525	46.00	33.80	16.00	11.70	44.50	30.80	8.10	5.80	3.88	2.88
				1	1275	41.00	29.80		22.55	33.00				3.88	
YH2F48TB21S	TM9E080C16MP12	21.0	XAH/XAHC60H	2	1275	45.00	31.60	16.00	11.70	44.00	30.40	8.10	6.20	3.78	2.88
				1	850	38.50	25.20		23.20	31.00				3.46	
YH2F48TB21S	TM9E080C16MP12	24.5	XAF/XAF/XAUD60H	2	1225	44.50	30.00	15.20	11.50	43.50	29.40	7.50	6.10	3.60	2.68
				1	900	38.00	25.40		21.60	31.40				3.46	
YH2F48TB21S	TM8Y120C20MP11	21.0	XAH/XAHC60H	2	1375	45.50	32.40	16.00	11.70	44.00	30.40	8.10	5.95	3.84	2.90
				1	1075	40.00	27.80		23.20	32.00				3.70	
YH2F48TB21S	TM8V120C20MP12C	24.5	XAH/XAHD60H	2	1425	46.00	33.20	16.00	11.70	44.50	30.40	8.10	5.95	3.86	2.90
				1	975	39.00	26.20		23.05	31.60				3.60	
YH2F48TB21S	TM8V100C20MP12C	24.5	XAH/XAHD60H	2	1425	46.00	33.20	16.00	11.70	44.50	30.40	8.10	5.95	3.86	2.90
				1	975	39.00	26.20		23.05	31.60				3.60	
YH2F48TB21S	TMLV120C20MP12C	24.5	XAH/XAHD60H	2	1425	46.00	33.20	16.00	11.70	44.50	30.40	8.10	5.95	3.86	2.90
				1	975	39.00	26.20		23.05	31.60				3.60	
YH2F48TB21S	TPLC100C20MP13C	24.5	XAH/XAHD60H	2	1425	46.00	33.20	16.00	11.70	44.50	30.40	8.10	5.95	3.86	2.90
				1	975	39.00	26.20		23.05	31.60				3.60	
YH2F48TB21S	TPLC120C20MP13C	24.5	XAH/XAHD60H	2	1425	46.00	33.20	16.00	11.70	44.50	30.40	8.10	5.95	3.86	2.90
				1	975	39.00	26.20		23.05	31.60				3.60	
YH2F48TB21S	YPLC100C20MP13C	24.5	XAH/XAHD60H	2	1425	46.00	33.20	16.00	11.70	44.50	30.40	8.10	5.95	3.86	2.90
				1	975	39.00	26.20		23.05	31.60				3.60	
YH2F48TB21S	YPLC120C20MP13C	24.5	XAH/XAHD60H	2	1425	46.00	33.20	16.00	11.70	44.50	30.40	8.10	5.95	3.86	2.90
				1	975	39.00	26.20		23.05	31.60				3.60	
YH2F48TB21S	TM8V120C20MP12C	21.0	XAH/XAHC60H	2	1450	46.00	33.40	16.00	11.70	44.50	30.60	8.10	5.95	3.86	2.90
				1	1000	39.50	26.80		23.35	31.60				3.64	

Table 13: Furnace capacity - 4 ton

Outdoor unit model	Furnace model	Furnace width (in.)	Indoor coil model	Stage	Rated CFM	Net cool (MBH)	Sens cool (MBH)	SEER2	EER2	Net47 (MBH)	Net17 (MBH)	HSPF2 IV	HSPF2 V	Cop47	Cop17
YH2F48TB21S	TMLV120C20MP12C	21.0	XAH/XAHC60H	2	1450	46.00	33.40	16.00	11.70	44.50	30.60	8.10	5.95	3.86	2.90
				1	1000	39.50	26.80		23.35	31.60				3.64	
YH2F48TB21S	TPLC100C20MP13C	21.0	XAH/XAHC60H	2	1450	46.00	33.40	16.00	11.70	44.50	30.60	8.10	5.95	3.86	2.90
				1	1000	39.50	26.80		23.35	31.60				3.64	
YH2F48TB21S	TPLC120C20MP13C	21.0	XAH/XAHC60H	2	1450	46.00	33.40	16.00	11.70	44.50	30.60	8.10	5.95	3.86	2.90
				1	1000	39.50	26.80		23.35	31.60				3.64	
YH2F48TB21S	YPLC100C20MP13C	21.0	XAH/XAHC60H	2	1450	46.00	33.40	16.00	11.70	44.50	30.60	8.10	5.95	3.86	2.90
				1	1000	39.50	26.80		23.35	31.60				3.64	
YH2F48TB21S	YPLC120C20MP13C	21.0	XAH/XAHC60H	2	1450	46.00	33.40	16.00	11.70	44.50	30.60	8.10	5.95	3.86	2.90
				1	1000	39.50	26.80		23.35	31.60				3.64	
YH2F48TB21S	TM8V100C20MP12C	21.0	XAF/XAFC60H	2	1375	45.50	31.60	15.20	11.70	43.50	29.40	7.80	6.30	3.72	2.74
				1	975	39.00	26.80		22.25	31.60				3.60	
YH2F48TB21S	TM8V100C16MP12C	21.0	XAF/XAFC60H	2	1275	45.00	30.80	15.20	11.70	43.50	29.20	7.80	6.35	3.66	2.72
				1	850	38.00	25.40		21.95	31.00				3.46	
YH2F48TB21S	TM8V080C16MP12C	21.0	XAF/XAFC60H	2	1275	45.00	30.80	15.20	11.70	43.50	29.20	7.80	6.35	3.66	2.72
				1	850	38.00	25.40		21.95	31.00				3.46	
YH2F48TB21S	TMLV100C16MP12C	21.0	XAF/XAFC60H	2	1275	45.00	30.80	15.20	11.70	43.50	29.20	7.80	6.35	3.66	2.72
				1	850	38.00	25.40		21.95	31.00				3.46	
YH2F48TB21S	TPLC080C16MP13C	21.0	XAF/XAFC60H	2	1275	45.00	30.80	15.20	11.70	43.50	29.20	7.80	6.35	3.66	2.72
				1	850	38.00	25.40		21.95	31.00				3.46	
YH2F48TB21S	TPLC100C16MP13C	21.0	XAF/XAFC60H	2	1275	45.00	30.80	15.20	11.70	43.50	29.20	7.80	6.35	3.66	2.72
				1	850	38.00	25.40		21.95	31.00				3.46	
YH2F48TB21S	YPLC080C16MP13C	21.0	XAF/XAFC60H	2	1275	45.00	30.80	15.20	11.70	43.50	29.20	7.80	6.35	3.66	2.72
				1	850	38.00	25.40		21.95	31.00				3.46	
YH2F48TB21S	YPLC100C16MP13C	21.0	XAF/XAFC60H	2	1275	45.00	30.80	15.20	11.70	43.50	29.20	7.80	6.35	3.66	2.72
				1	850	38.00	25.40		21.95	31.00				3.46	
YH2F48TB21S	TM8E130D20MP11	24.5	XAH/XAHD60H	2	1625	46.50	34.80	15.20	11.70	45.00	31.00	8.10	5.80	3.88	2.86
				1	1300	41.00	29.80		22.30	33.00				3.88	
YH2F48TB21S	TMLE130D20MP11	24.5	XAH/XAHD60H	2	1625	46.50	34.80	15.20	11.70	45.00	31.00	8.10	5.80	3.88	2.86
				1	1300	41.00	29.80		22.30	33.00				3.88	
YH2F48TB21S	TM8E100C16MP11	21.0	XAF/XAFC60H	2	1275	45.00	30.80	15.20	11.70	43.50	29.20	7.80	6.35	3.66	2.72
				1	850	38.00	25.40		22.10	31.00				3.46	
YH2F48TB21S	TMLE100C16MP11	21.0	XAF/XAFC60H	2	1275	45.00	30.80	15.20	11.70	43.50	29.20	7.80	6.35	3.66	2.72
				1	850	38.00	25.40		22.10	31.00				3.46	
YH2F48TB21S	TM8E080C20MP11	21.0	XAF/XAFC60H	2	1550	46.00	32.60	15.20	11.70	44.00	29.60	7.80	6.15	3.74	2.72
				1	1275	40.50	29.20		21.95	33.00				3.86	
YH2F48TB21S	TMLE080C20MP11	21.0	XAF/XAFC60H	2	1550	46.00	32.60	15.20	11.70	44.00	29.60	7.80	6.15	3.74	2.72
				1	1275	40.50	29.20		21.95	33.00				3.86	
YH2F48TB21S	TM8E080C16MP11	24.5	XAH/XAHD60H	2	1250	45.00	31.40	16.00	11.70	44.00	30.20	8.10	6.20	3.78	2.88
				1	850	38.50	25.20		23.00	31.00				3.44	
YH2F48TB21S	TMLE080C16MP11	24.5	XAH/XAHD60H	2	1250	45.00	31.40	16.00	11.70	44.00	30.20	8.10	6.20	3.78	2.88
				1	850	38.50	25.20		23.00	31.00				3.44	
YH2F48TB21S	TM8E080B12MP11	21.0	XAF/XAFC60H	2	1325	45.00	31.00	15.20	11.00	44.00	29.80	7.50	6.10	3.58	2.66
				1	800	37.60	24.80		21.85	31.00				3.38	
YH2F48TB21S	TMLE080B12MP11	21.0	XAF/XAFC60H	2	1325	45.00	31.00	15.20	11.00	44.00	29.80	7.50	6.10	3.58	2.66
				1	800	37.60	24.80		21.85	31.00				3.38	
YH2F48TB21S	TL9E080C16UH11	24.5	XAH/XAHD60H	2	1225	45.00	31.20	15.20	11.70	44.00	30.40	7.80	5.90	3.74	2.86
				1	925	39.00	26.00		22.65	31.40				3.50	
YH2F48TB21S	TL9E060B12UH11	21.0	XAH/XAHC60H	2	1225	44.50	30.80	15.20	11.00	44.50	30.80	8.10	6.35	3.66	2.80
				1	925	38.50	25.40		22.25	31.60				3.48	
YH2F48TB21S	TL8E100C20UH11	21.0	XAH/XAHC60H	2	1400	46.00	33.00	16.00	11.70	44.00	30.40	8.10	5.80	3.86	2.90
				1	1125	40.00	28.00		23.20	32.20				3.76	
YH2F48TB21S	TM9Y080C16MP11	21.0	XAF/XAF/XAUC60G	2	1275	44.00	29.80	14.30	11.00	47.00	31.80	7.80	6.15	3.60	2.74
				1	950	38.00	25.40		21.40	33.40				3.56	
YH2F48TB21S	TM9Y080B12MP11	21.0	XAF/XAF/XAUC60G	2	1225	44.00	29.60	14.30	10.50	47.00	31.80	7.80	6.25	3.56	2.72
				1	875	37.40	24.40		21.05	33.20				3.46	
YH2F48TB21S	TM9V080B12MP12C	21.0	XAF/XAF/XAUC60G	2	1250	44.00	29.80	14.30	10.50	47.00	31.80	7.80	6.25	3.58	2.72
				1	850	37.20	24.00		21.20	32.80				3.46	
YH2F48TB21S	TP9C080B12MP13C	21.0	XAF/XAF/XAUC60G	2	1250	44.00	29.80	14.30	10.50	47.00	31.80	7.80	6.25	3.58	2.72
				1	850	37.20	24.00		21.20	32.80				3.46	

Table 13: Furnace capacity - 4 ton

Outdoor unit model	Furnace model	Furnace width (in.)	Indoor coil model	Stage	Rated CFM	Net cool (MBH)	Sens cool (MBH)	SEER2	EER2	Net47 (MBH)	Net17 (MBH)	HSPF2 IV	HSPF2 V	Cop47	Cop17
YH2F48TB21S	YP9C080B12MP13C	21.0	XAF/XAF/XAUC60G	2	1250	44.00	29.80	14.30	10.50	47.00	31.80	7.80	6.25	3.58	2.72
				1	850	37.20	24.00		21.20	32.80				3.46	
YH2F48TB21S	TM9E080C16MP12	21.0	XAH/XAHD60G	2	1425	46.00	32.60	15.20	11.00	45.50	30.60	7.50	6.10	3.58	2.64
				1	875	38.00	25.40		22.15	33.00				3.50	
YH2F48TB21S	TM9E080C16MP12	24.5	XAF/XAF/XAUD60G	2	1450	45.00	31.60	14.30	10.50	47.50	32.20	7.80	6.15	3.64	2.72
				1	900	37.60	24.80		21.70	33.00				3.52	
YH2F48TB21S	TM9E080B12MP12	21.0	XAH/XAHC60G	2	1250	45.50	31.40	15.20	11.50	45.00	30.00	7.50	6.10	3.54	2.64
				1	825	37.60	24.80		22.25	32.60				3.44	
YH2F48TB21S	TM8Y080C16MP11	21.0	XAH/XAHD60G	2	1200	45.50	31.00	15.20	11.70	44.50	29.60	7.80	6.35	3.56	2.66
				1	1025	38.50	26.40		21.40	34.00				3.60	
YH2F48TB21S	TM8V100C16MP12C	21.0	XAF/XAF/XAUC60G	2	1450	45.00	31.60	14.30	10.50	47.50	32.00	8.10	6.30	3.68	2.76
				1	975	38.00	25.40		21.70	33.40				3.62	
YH2F48TB21S	TM8V080C16MP12C	21.0	XAF/XAF/XAUC60G	2	1450	45.00	31.60	14.30	10.50	47.50	32.00	8.10	6.30	3.68	2.76
				1	975	38.00	25.40		21.70	33.40				3.62	
YH2F48TB21S	TMLV100C16MP12C	21.0	XAF/XAF/XAUC60G	2	1450	45.00	31.60	14.30	10.50	47.50	32.00	8.10	6.30	3.68	2.76
				1	975	38.00	25.40		21.70	33.40				3.62	
YH2F48TB21S	TPLC080C16MP13C	21.0	XAF/XAF/XAUC60G	2	1450	45.00	31.60	14.30	10.50	47.50	32.00	8.10	6.30	3.68	2.76
				1	975	38.00	25.40		21.70	33.40				3.62	
YH2F48TB21S	TPLC100C16MP13C	21.0	XAF/XAF/XAUC60G	2	1450	45.00	31.60	14.30	10.50	47.50	32.00	8.10	6.30	3.68	2.76
				1	975	38.00	25.40		21.70	33.40				3.62	
YH2F48TB21S	YPLC080C16MP13C	21.0	XAF/XAF/XAUC60G	2	1450	45.00	31.60	14.30	10.50	47.50	32.00	8.10	6.30	3.68	2.76
				1	975	38.00	25.40		21.70	33.40				3.62	
YH2F48TB21S	YPLC100C16MP13C	21.0	XAF/XAF/XAUC60G	2	1450	45.00	31.60	14.30	10.50	47.50	32.00	8.10	6.30	3.68	2.76
				1	975	38.00	25.40		21.70	33.40				3.62	
YH2F48TB21S	TM8V080C16MP12C	21.0	XAH/XAHC60G	2	1275	45.50	31.40	15.20	11.70	45.00	29.80	7.80	6.35	3.60	2.68
				1	850	37.80	25.00		22.40	32.80				3.50	
YH2F48TB21S	TM8E120C20MP11	21.0	XAH/XAHD60G	2	1375	46.00	32.40	15.20	11.70	45.00	30.00	7.80	6.30	3.64	2.70
				1	1175	40.00	28.40		21.65	34.80				3.80	
YH2F48TB21S	TMLE120C20MP11	21.0	XAH/XAHD60G	2	1375	46.00	32.40	15.20	11.70	45.00	30.00	7.80	6.30	3.64	2.70
				1	1175	40.00	28.40		21.65	34.80				3.80	
YH2F48TB21S	TM8E100C20MP11	21.0	XAH/XAHC60G	2	1400	46.00	32.40	15.20	11.70	45.00	30.00	7.80	6.30	3.66	2.70
				1	1175	40.00	28.40		22.00	34.60				3.82	
YH2F48TB21S	TMLE100C20MP11	21.0	XAH/XAHC60G	2	1400	46.00	32.40	15.20	11.70	45.00	30.00	7.80	6.30	3.66	2.70
				1	1175	40.00	28.40		22.00	34.60				3.82	
YH2F48TB21S	TM8E100C20MP11	21.0	XAF/XAF/XAUC60G	2	1625	45.50	32.60	14.30	10.50	48.00	32.20	8.10	6.25	3.72	2.76
				1	1200	40.00	28.40		22.00	34.80				3.86	
YH2F48TB21S	TMLE100C20MP11	21.0	XAF/XAF/XAUC60G	2	1625	45.50	32.60	14.30	10.50	48.00	32.20	8.10	6.25	3.72	2.76
				1	1200	40.00	28.40		22.00	34.80				3.86	
YH2F48TB21S	TM8E100C16MP11	21.0	XAF/XAF/XAUC60G	2	1475	45.00	31.60	15.20	10.50	47.50	32.00	8.10	6.40	3.68	2.76
				1	825	37.20	24.00		21.95	32.60				3.46	
YH2F48TB21S	TMLE100C16MP11	21.0	XAF/XAF/XAUC60G	2	1475	45.00	31.60	15.20	10.50	47.50	32.00	8.10	6.40	3.68	2.76
				1	825	37.20	24.00		21.95	32.60				3.46	
YH2F48TB21S	TM8E080C20MP11	24.5	XAF/XAF/XAUD60G	2	1625	45.50	32.60	15.20	10.50	47.50	32.20	8.10	6.15	3.72	2.76
				1	1225	40.00	28.60		22.15	34.80				3.90	
YH2F48TB21S	TMLE080C20MP11	24.5	XAF/XAF/XAUD60G	2	1625	45.50	32.60	15.20	10.50	47.50	32.20	8.10	6.15	3.72	2.76
				1	1225	40.00	28.60		22.15	34.80				3.90	
YH2F48TB21S	TL9E100C20UH11	21.0	XAH/XAHC60G	2	1275	45.50	31.40	15.20	11.70	44.50	29.80	7.80	6.30	3.62	2.68
				1	1075	39.50	27.60		22.20	34.00				3.72	
YH2F48TB21S	TL9E080C16UH11	21.0	XAH/XAHD60G	2	1300	45.50	31.60	15.20	11.50	45.00	30.00	7.50	6.10	3.58	2.66
				1	875	38.00	25.40		22.10	33.00				3.50	
YH2F48TB21S	TL8E100C20UH11	21.0	XAH/XAHD60G	2	1475	46.50	33.40	15.20	11.70	45.50	30.20	7.80	6.30	3.66	2.70
				1	1025	39.00	27.00		22.55	33.60				3.68	
YH2F48TB21S	TL8E100C20UH11	24.5	XAF/XAF/XAUD60G	2	1500	45.50	32.20	15.20	11.00	47.00	31.80	8.10	6.20	3.74	2.80
				1	1025	38.50	26.20		22.20	33.60				3.70	
YH2F48TB21S	TL8E080C16UH11	24.5	XAF/XAF/XAUD60G	2	1450	45.00	31.60	14.30	10.50	47.50	32.00	8.10	6.40	3.66	2.76
				1	925	37.80	25.00		21.75	33.20				3.56	
YH2F48TB21S	TM9Y120D20MP11	24.5	XAH/XAHD60H	2	1375	45.50	32.40	16.00	11.70	44.00	30.40	8.10	5.90	3.82	2.88
				1	1000	39.50	26.80		23.05	31.60				3.60	
YH2F48TB21S	TM9Y100C20MP11	24.5	XAF/XAF/XAUD60H	2	1525	45.50	32.00	15.20	11.00	44.50	29.80	7.80	6.35	3.68	2.68
				1	1200	40.00	28.40		21.50	32.80				3.76	

Table 13: Furnace capacity - 4 ton

Outdoor unit model	Furnace model	Furnace width (in.)	Indoor coil model	Stage	Rated CFM	Net cool (MBH)	Sens cool (MBH)	SEER2	EER2	Net47 (MBH)	Net17 (MBH)	HSPF2 IV	HSPF2 V	Cop47	Cop17
YH2F48TB21S	TM9Y100C20MP11	21.0	XAF/XAFC60H	2	1550	45.50	32.20	15.20	11.00	44.50	29.80	8.10	6.60	3.70	2.68
				1	1200	40.00	28.40		21.55	32.80				3.76	
YH2F48TB21S	TM9Y100C16MP11	21.0	XAF/XAFC60H	2	1250	45.00	30.60	15.20	11.70	43.50	29.40	7.80	6.35	3.62	2.70
				1	1000	39.00	26.80		21.75	31.80				3.58	
YH2F48TB21S	TM9Y080B12MP11	21.0	XAH/XAHC60H	2	1325	45.00	31.60	15.20	11.00	44.50	30.80	8.10	6.35	3.70	2.80
				1	800	38.00	24.40		22.95	31.00				3.38	
YH2F48TB21S	TM9V100C16MP12C	21.0	XAH/XAHC60H	2	1325	45.50	32.20	16.00	11.70	44.00	30.20	8.10	6.05	3.82	2.90
				1	900	39.00	25.80		23.20	31.20				3.52	
YH2F48TB21S	TP9C100C16MP13C	21.0	XAH/XAHC60H	2	1325	45.50	32.20	16.00	11.70	44.00	30.20	8.10	6.05	3.82	2.90
				1	900	39.00	25.80		23.20	31.20				3.52	
YH2F48TB21S	YP9C100C16MP13C	21.0	XAH/XAHC60H	2	1325	45.50	32.20	16.00	11.70	44.00	30.20	8.10	6.05	3.82	2.90
				1	900	39.00	25.80		23.20	31.20				3.52	
YH2F48TB21S	TM9V100C16MP12C	21.0	XAF/XAFC60H	2	1325	45.00	31.00	15.20	11.70	43.50	29.20	7.80	6.30	3.68	2.72
				1	900	38.00	25.40		21.95	31.20				3.50	
YH2F48TB21S	TP9C100C16MP13C	21.0	XAF/XAFC60H	2	1325	45.00	31.00	15.20	11.70	43.50	29.20	7.80	6.30	3.68	2.72
				1	900	38.00	25.40		21.95	31.20				3.50	
YH2F48TB21S	YP9C100C16MP13C	21.0	XAF/XAFC60H	2	1325	45.00	31.00	15.20	11.70	43.50	29.20	7.80	6.30	3.68	2.72
				1	900	38.00	25.40		21.95	31.20				3.50	
YH2F48TB21S	TM9V080C16MP12C	24.5	XAH/XAHD60H	2	1225	45.00	31.20	15.20	11.70	44.00	30.40	7.80	6.05	3.74	2.86
				1	800	38.00	24.40		22.65	30.80				3.38	
YH2F48TB21S	TP9C080C16MP13C	24.5	XAH/XAHD60H	2	1225	45.00	31.20	15.20	11.70	44.00	30.40	7.80	6.05	3.74	2.86
				1	800	38.00	24.40		22.65	30.80				3.38	
YH2F48TB21S	YP9C080C16MP13C	24.5	XAH/XAHD60H	2	1225	45.00	31.20	15.20	11.70	44.00	30.40	7.80	6.05	3.74	2.86
				1	800	38.00	24.40		22.65	30.80				3.38	
YH2F48TB21S	TM9E100C20MP12	21.0	XAH/XAHC60H	2	1525	46.00	33.80	16.00	11.70	44.50	30.80	8.10	5.80	3.88	2.88
				1	1275	41.00	29.80		22.60	32.80				3.88	
YH2F48TB21S	TM9E100C16MP12	24.5	XAF/XAF/XAUD60H	2	1250	45.00	30.60	15.20	11.70	43.50	29.40	7.80	6.35	3.62	2.70
				1	950	38.50	26.20		21.70	31.60				3.52	
YH2F48TB21S	TM9E080C20MP12	21.0	XAF/XAFC60H	2	1500	46.00	32.40	15.20	11.70	44.00	29.60	7.80	6.15	3.74	2.72
				1	1250	40.50	29.20		21.90	32.80				3.84	
YH2F48TB21S	TM9E080B12MP12	21.0	XAF/XAFC60H	2	1325	45.00	31.00	15.20	11.00	44.00	29.80	7.50	6.10	3.58	2.66
				1	850	37.80	25.00		21.75	31.20				3.42	
YH2F48TB21S	TM8Y120C20MP11	21.0	XAF/XAFC60H	2	1375	45.50	31.60	15.20	11.70	43.50	29.40	8.10	6.55	3.72	2.74
				1	1050	39.00	27.00		22.30	31.80				3.66	
YH2F48TB21S	TM8Y080C16MP11	21.0	XAF/XAFC60H	2	1350	45.00	31.00	15.20	11.70	43.50	29.40	7.80	6.30	3.66	2.70
				1	1000	39.00	26.80		22.00	31.80				3.60	
YH2F48TB21S	TM8V100C16MP12C	21.0	XAH/XAHC60H	2	1275	45.50	32.00	16.00	11.70	44.00	30.20	8.10	6.05	3.80	2.90
				1	850	38.50	25.20		23.25	31.00				3.48	
YH2F48TB21S	TMLV100C16MP12C	21.0	XAH/XAHC60H	2	1275	45.50	32.00	16.00	11.70	44.00	30.20	8.10	6.05	3.80	2.90
				1	850	38.50	25.20		23.25	31.00				3.48	
YH2F48TB21S	TPLC080C16MP13C	21.0	XAH/XAHC60H	2	1275	45.50	32.00	16.00	11.70	44.00	30.20	8.10	6.05	3.80	2.90
				1	850	38.50	25.20		23.25	31.00				3.48	
YH2F48TB21S	TPLC100C16MP13C	21.0	XAH/XAHC60H	2	1275	45.50	32.00	16.00	11.70	44.00	30.20	8.10	6.05	3.80	2.90
				1	850	38.50	25.20		23.25	31.00				3.48	
YH2F48TB21S	YPLC080C16MP13C	21.0	XAH/XAHC60H	2	1275	45.50	32.00	16.00	11.70	44.00	30.20	8.10	6.05	3.80	2.90
				1	850	38.50	25.20		23.25	31.00				3.48	
YH2F48TB21S	YPLC100C16MP13C	21.0	XAH/XAHC60H	2	1275	45.50	32.00	16.00	11.70	44.00	30.20	8.10	6.05	3.80	2.90
				1	850	38.50	25.20		23.25	31.00				3.48	
YH2F48TB21S	TM8E100C20MP11	24.5	XAH/XAHD60H	2	1500	46.00	33.60	15.20	11.70	44.50	30.80	8.10	5.80	3.86	2.86
				1	1250	40.50	29.20		22.30	32.80				3.82	
YH2F48TB21S	TMLE100C20MP11	24.5	XAH/XAHD60H	2	1500	46.00	33.60	15.20	11.70	44.50	30.80	8.10	5.80	3.86	2.86
				1	1250	40.50	29.20		22.30	32.80				3.82	
YH2F48TB21S	TM8E100C20MP11	21.0	XAF/XAFC60H	2	1525	46.00	32.60	15.20	11.70	44.00	29.60	7.80	6.15	3.74	2.72
				1	1275	40.50	29.20		21.90	33.00				3.86	
YH2F48TB21S	TMLE100C20MP11	21.0	XAF/XAFC60H	2	1525	46.00	32.60	15.20	11.70	44.00	29.60	7.80	6.15	3.74	2.72
				1	1275	40.50	29.20		21.90	33.00				3.86	
YH2F48TB21S	TM8E080B12MP11	21.0	XAH/XAHC60H	2	1250	45.00	31.40	16.00	11.70	44.00	30.40	7.80	6.05	3.72	2.84
				1	850	38.50	25.20		23.05	31.00				3.44	
YH2F48TB21S	TMLE080B12MP11	21.0	XAH/XAHC60H	2	1250	45.00	31.40	16.00	11.70	44.00	30.40	7.80	6.05	3.72	2.84
				1	850	38.50	25.20		23.05	31.00				3.44	

Table 13: Furnace capacity - 4 ton

Outdoor unit model	Furnace model	Furnace width (in.)	Indoor coil model	Stage	Rated CFM	Net cool (MBH)	Sens cool (MBH)	SEER2	EER2	Net47 (MBH)	Net17 (MBH)	HSPF2 IV	HSPF2 V	Cop47	Cop17
YH2F48TB21S	TL8E080C16UH11	24.5	XAF/XAF/XAUD60H	2	1250	45.00	30.60	15.20	11.70	43.50	29.20	7.80	6.35	3.64	2.70
				1	950	38.50	26.20		21.75	31.60				3.52	
YH2F48TB21S	TL8E080C16UH11	21.0	XAF/XAFC60H	2	1250	45.00	30.60	15.20	11.70	43.50	29.20	7.80	6.35	3.64	2.72
				1	975	38.50	26.20		21.90	31.60				3.56	
YH2F48TB21S	TM9Y100C16MP11	21.0	XAH/XAHD60G	2	1275	45.50	31.40	15.20	11.50	45.00	30.00	7.50	6.10	3.56	2.64
				1	925	38.00	25.60		21.90	33.40				3.54	
YH2F48TB21S	TM9Y080C16MP11	21.0	XAH/XAHD60G	2	1275	45.50	31.40	15.20	11.50	45.00	30.00	7.50	6.10	3.54	2.64
				1	925	38.00	25.60		21.75	33.40				3.52	
YH2F48TB21S	TM9V120D20MP12C	24.5	XAF/XAF/XAUD60G	2	1650	45.50	32.60	15.20	11.00	47.50	32.00	8.10	6.15	3.80	2.82
				1	1000	38.50	26.00		22.15	33.40				3.68	
YH2F48TB21S	TP9C120D20MP13C	24.5	XAF/XAF/XAUD60G	2	1650	45.50	32.60	15.20	11.00	47.50	32.00	8.10	6.15	3.80	2.82
				1	1000	38.50	26.00		22.15	33.40				3.68	
YH2F48TB21S	YP9C120D20MP13C	24.5	XAF/XAF/XAUD60G	2	1650	45.50	32.60	15.20	11.00	47.50	32.00	8.10	6.15	3.80	2.82
				1	1000	38.50	26.00		22.15	33.40				3.68	
YH2F48TB21S	TM9V100C20MP12C	21.0	XAH/XAHC60G	2	1300	45.50	31.60	15.20	11.70	45.00	29.80	7.80	6.35	3.60	2.68
				1	800	37.60	24.60		22.50	32.40				3.44	
YH2F48TB21S	TP9C100C20MP13C	21.0	XAH/XAHC60G	2	1300	45.50	31.60	15.20	11.70	45.00	29.80	7.80	6.35	3.60	2.68
				1	800	37.60	24.60		22.50	32.40				3.44	
YH2F48TB21S	YP9C100C20MP13C	21.0	XAH/XAHC60G	2	1300	45.50	31.60	15.20	11.70	45.00	29.80	7.80	6.35	3.60	2.68
				1	800	37.60	24.60		22.50	32.40				3.44	
YH2F48TB21S	TM9V100C16MP12C	21.0	XAF/XAF/XAUC60G	2	1650	45.00	32.20	14.30	10.50	48.00	32.60	8.10	6.25	3.70	2.74
				1	1125	39.50	27.60		21.75	34.20				3.78	
YH2F48TB21S	TP9C100C16MP13C	21.0	XAF/XAF/XAUC60G	2	1650	45.00	32.20	14.30	10.50	48.00	32.60	8.10	6.25	3.70	2.74
				1	1125	39.50	27.60		21.75	34.20				3.78	
YH2F48TB21S	YP9C100C16MP13C	21.0	XAF/XAF/XAUC60G	2	1650	45.00	32.20	14.30	10.50	48.00	32.60	8.10	6.25	3.70	2.74
				1	1125	39.50	27.60		21.75	34.20				3.78	
YH2F48TB21S	TM9V080C16MP12C	21.0	XAH/XAHD60G	2	1475	46.00	32.80	15.20	11.00	46.00	30.80	7.50	6.05	3.58	2.62
				1	950	38.50	26.20		21.80	33.40				3.56	
YH2F48TB21S	TP9C080C16MP13C	21.0	XAH/XAHD60G	2	1475	46.00	32.80	15.20	11.00	46.00	30.80	7.50	6.05	3.58	2.62
				1	950	38.50	26.20		21.80	33.40				3.56	
YH2F48TB21S	YP9C080C16MP13C	21.0	XAH/XAHD60G	2	1475	46.00	32.80	15.20	11.00	46.00	30.80	7.50	6.05	3.58	2.62
				1	950	38.50	26.20		21.80	33.40				3.56	
YH2F48TB21S	TM9V080C16MP12C	24.5	XAF/XAF/XAUD60G	2	1525	44.50	31.20	14.30	10.50	48.00	32.40	8.10	6.40	3.64	2.72
				1	975	38.00	25.40		21.45	33.60				3.60	
YH2F48TB21S	TP9C080C16MP13C	24.5	XAF/XAF/XAUD60G	2	1525	44.50	31.20	14.30	10.50	48.00	32.40	8.10	6.40	3.64	2.72
				1	975	38.00	25.40		21.45	33.60				3.60	
YH2F48TB21S	YP9C080C16MP13C	24.5	XAF/XAF/XAUD60G	2	1525	44.50	31.20	14.30	10.50	48.00	32.40	8.10	6.40	3.64	2.72
				1	975	38.00	25.40		21.45	33.60				3.60	
YH2F48TB21S	TM9E100C20MP12	21.0	XAH/XAHD60G	2	1350	46.00	32.20	15.20	11.70	45.00	30.00	7.80	6.30	3.62	2.68
				1	1125	39.50	27.80		21.80	34.40				3.74	
YH2F48TB21S	TM9E100C16MP12	21.0	XAH/XAHD60G	2	1475	46.00	32.80	15.20	11.00	46.00	30.80	7.50	6.05	3.58	2.62
				1	925	38.50	26.00		22.25	33.20				3.56	
YH2F48TB21S	TM9E100C16MP12	24.5	XAF/XAF/XAUD60G	2	1500	45.00	31.60	14.30	10.50	47.50	32.20	7.80	6.15	3.66	2.74
				1	800	37.00	23.60		21.75	32.60				3.44	
YH2F48TB21S	TM9E080C20MP12	21.0	XAH/XAHD60G	2	1350	46.00	32.20	15.20	11.70	45.00	30.00	7.80	6.30	3.62	2.68
				1	1150	39.50	27.80		21.80	34.60				3.78	
YH2F48TB21S	TM9E080B12MP12	21.0	XAF/XAF/XAUC60G	2	1225	44.00	29.60	14.30	10.50	47.00	31.80	7.80	6.25	3.58	2.72
				1	800	37.00	23.60		21.35	32.60				3.42	
YH2F48TB21S	TM8Y120C20MP11	21.0	XAH/XAHD60G	2	1400	46.00	32.40	15.20	11.70	45.00	30.00	7.80	6.30	3.64	2.68
				1	975	38.50	26.20		22.50	33.40				3.62	
YH2F48TB21S	TM8Y120C20MP11	21.0	XAF/XAF/XAUC60G	2	1725	45.50	33.00	15.20	10.50	48.00	32.60	8.10	6.20	3.72	2.74
				1	1025	39.00	26.60		22.45	33.60				3.70	
YH2F48TB21S	TM8Y080C16MP11	21.0	XAH/XAHC60G	2	1250	45.50	31.40	15.20	11.70	44.50	29.60	7.80	6.30	3.60	2.68
				1	1100	39.50	27.60		21.80	34.20				3.72	
YH2F48TB21S	TM8E130D20MP11	21.0	XAH/XAHD60G	2	1475	46.50	33.40	15.20	11.70	45.50	30.40	7.80	6.30	3.66	2.68
				1	1200	40.00	28.60		21.85	34.80				3.84	
YH2F48TB21S	TMLE130D20MP11	21.0	XAH/XAHD60G	2	1475	46.50	33.40	15.20	11.70	45.50	30.40	7.80	6.30	3.66	2.68
				1	1200	40.00	28.60		21.85	34.80				3.84	
YH2F48TB21S	TM8E120C16MP11	24.5	XAF/XAF/XAUD60G	2	1475	45.00	31.60	14.30	10.50	47.50	32.00	8.10	6.40	3.68	2.76
				1	825	37.20	24.00		21.90	32.60				3.46	

Table 13: Furnace capacity - 4 ton

Outdoor unit model	Furnace model	Furnace width (in.)	Indoor coil model	Stage	Rated CFM	Net cool (MBH)	Sens cool (MBH)	SEER2	EER2	Net47 (MBH)	Net17 (MBH)	HSPF2 IV	HSPF2 V	Cop47	Cop17
YH2F48TB21S	TMLE120C16MP11	24.5	XAF/XAF/XAUD60G	2	1475	45.00	31.60	14.30	10.50	47.50	32.00	8.10	6.40	3.68	2.76
				1	825	37.20	24.00		21.90	32.60				3.46	
YH2F48TB21S	TM8E100C16MP11	21.0	XAH/XAHC60G	2	1475	46.00	32.80	15.20	11.00	45.50	30.40	7.50	6.05	3.62	2.66
				1	850	38.00	25.20		22.85	32.80				3.50	
YH2F48TB21S	TMLE100C16MP11	21.0	XAH/XAHC60G	2	1475	46.00	32.80	15.20	11.00	45.50	30.40	7.50	6.05	3.62	2.66
				1	850	38.00	25.20		22.85	32.80				3.50	
YH2F48TB21S	TM8E080C20MP11	21.0	XAH/XAHC60G	2	1425	46.00	32.60	15.20	11.70	45.00	30.20	7.80	6.30	3.66	2.70
				1	1200	40.00	28.60		22.15	34.80				3.86	
YH2F48TB21S	TMLE080C20MP11	21.0	XAH/XAHC60G	2	1425	46.00	32.60	15.20	11.70	45.00	30.20	7.80	6.30	3.66	2.70
				1	1200	40.00	28.60		22.15	34.80				3.86	
YH2F48TB21S	TM8E080B12MP11	21.0	XAH/XAHC60G	2	1250	45.50	31.40	15.20	11.00	45.00	30.00	7.50	6.10	3.52	2.62
				1	800	37.60	24.60		22.50	32.60				3.44	
YH2F48TB21S	TMLE080B12MP11	21.0	XAH/XAHC60G	2	1250	45.50	31.40	15.20	11.00	45.00	30.00	7.50	6.10	3.52	2.62
				1	800	37.60	24.60		22.50	32.60				3.44	
YH2F48TB21S	TL9E100C20UH11	21.0	XAF/XAF/XAUC60G	2	1475	45.00	31.60	15.20	11.00	47.50	32.00	8.10	6.20	3.70	2.78
				1	1100	39.00	27.00		22.05	34.20				3.76	
YH2F48TB21S	TM9Y100C20MP11	24.5	XAH/XAHD60H	2	1525	46.00	33.80	15.20	11.00	45.00	31.00	8.10	5.95	3.80	2.82
				1	1200	40.50	28.80		22.05	32.80				3.76	
YH2F48TB21S	TM9Y080C16MP11	21.0	XAH/XAHC60H	2	1250	45.00	31.40	15.20	11.70	44.00	30.40	8.10	6.05	3.74	2.86
				1	1025	39.50	26.80		22.55	31.80				3.60	
YH2F48TB21S	TM9V120D20MP12C	24.5	XAH/XAHD60H	2	1425	46.00	33.20	16.00	11.70	44.50	30.60	8.10	5.95	3.86	2.90
				1	925	39.00	26.00		23.05	31.40				3.54	
YH2F48TB21S	TP9C120D20MP13C	24.5	XAH/XAHD60H	2	1425	46.00	33.20	16.00	11.70	44.50	30.60	8.10	5.95	3.86	2.90
				1	925	39.00	26.00		23.05	31.40				3.54	
YH2F48TB21S	YP9C120D20MP13C	24.5	XAH/XAHD60H	2	1425	46.00	33.20	16.00	11.70	44.50	30.60	8.10	5.95	3.86	2.90
				1	925	39.00	26.00		23.05	31.40				3.54	
YH2F48TB21S	TM9V100C20MP12C	21.0	XAF/XAFC60H	2	1275	45.00	30.80	15.20	11.70	43.50	29.20	7.80	6.35	3.66	2.72
				1	800	37.60	24.80		22.00	30.80				3.40	
YH2F48TB21S	TP9C100C20MP13C	21.0	XAF/XAFC60H	2	1275	45.00	30.80	15.20	11.70	43.50	29.20	7.80	6.35	3.66	2.72
				1	800	37.60	24.80		22.00	30.80				3.40	
YH2F48TB21S	YP9C100C20MP13C	21.0	XAF/XAFC60H	2	1275	45.00	30.80	15.20	11.70	43.50	29.20	7.80	6.35	3.66	2.72
				1	800	37.60	24.80		22.00	30.80				3.40	
YH2F48TB21S	TM9E100C20MP12	24.5	XAH/XAHD60H	2	1500	46.00	33.60	15.20	11.70	44.50	30.80	8.10	5.80	3.86	2.88
				1	1225	40.50	29.00		22.35	32.80				3.80	
YH2F48TB21S	TM9E100C20MP12	21.0	XAF/XAFC60H	2	1400	45.50	31.60	15.20	11.70	43.50	29.40	8.10	6.60	3.72	2.74
				1	1225	40.00	28.60		21.85	32.80				3.80	
YH2F48TB21S	TM9E080C16MP12	21.0	XAF/XAFC60H	2	1250	45.00	30.60	15.20	11.70	43.50	29.40	7.80	6.35	3.62	2.70
				1	925	38.50	26.00		21.75	31.40				3.50	
YH2F48TB21S	TM8Y080C16MP11	24.5	XAF/XAF/XAUD60H	2	1350	45.00	31.00	15.20	11.70	43.50	29.40	7.80	6.30	3.66	2.70
				1	1000	39.00	26.80		21.95	31.80				3.58	
YH2F48TB21S	TM8E120C16MP11	24.5	XAF/XAF/XAUD60H	2	1275	45.00	30.80	15.20	11.70	43.50	29.20	7.80	6.35	3.66	2.72
				1	825	37.80	25.00		21.90	31.00				3.42	
YH2F48TB21S	TMLE120C16MP11	24.5	XAF/XAF/XAUD60H	2	1275	45.00	30.80	15.20	11.70	43.50	29.20	7.80	6.35	3.66	2.72
				1	825	37.80	25.00		21.90	31.00				3.42	
YH2F48TB21S	TM8E120C16MP11	21.0	XAF/XAFC60H	2	1300	45.00	30.80	15.20	11.70	43.50	29.20	7.80	6.35	3.68	2.72
				1	875	38.00	25.40		22.15	31.20				3.48	
YH2F48TB21S	TMLE120C16MP11	21.0	XAF/XAFC60H	2	1300	45.00	30.80	15.20	11.70	43.50	29.20	7.80	6.35	3.68	2.72
				1	875	38.00	25.40		22.15	31.20				3.48	
YH2F48TB21S	TM8E100C20MP11	24.5	XAF/XAF/XAUD60H	2	1500	45.50	32.00	15.20	11.70	44.00	29.60	7.80	6.30	3.72	2.72
				1	1250	40.50	29.20		21.80	32.80				3.82	
YH2F48TB21S	TMLE100C20MP11	24.5	XAF/XAF/XAUD60H	2	1500	45.50	32.00	15.20	11.70	44.00	29.60	7.80	6.30	3.72	2.72
				1	1250	40.50	29.20		21.80	32.80				3.82	
YH2F48TB21S	TM8E100B12MP11	21.0	XAF/XAFC60H	2	1225	44.50	30.00	15.20	11.50	43.50	29.40	7.50	6.10	3.60	2.68
				1	875	38.00	25.40		21.75	31.20				3.46	
YH2F48TB21S	TMLE100B12MP11	21.0	XAF/XAFC60H	2	1225	44.50	30.00	15.20	11.50	43.50	29.40	7.50	6.10	3.60	2.68
				1	875	38.00	25.40		21.75	31.20				3.46	
YH2F48TB21S	TM8E080C16MP11	21.0	XAH/XAHC60H	2	1275	45.50	32.00	16.00	11.70	44.00	30.20	8.10	6.05	3.80	2.90
				1	900	39.00	25.80		23.25	31.20				3.52	
YH2F48TB21S	TMLE080C16MP11	21.0	XAH/XAHC60H	2	1275	45.50	32.00	16.00	11.70	44.00	30.20	8.10	6.05	3.80	2.90
				1	900	39.00	25.80		23.25	31.20				3.52	

Table 13: Furnace capacity - 4 ton

Outdoor unit model	Furnace model	Furnace width (in.)	Indoor coil model	Stage	Rated CFM	Net cool (MBH)	Sens cool (MBH)	SEER2	EER2	Net47 (MBH)	Net17 (MBH)	HSPF2 IV	HSPF2 V	Cop47	Cop17
YH2F48TB21S	TL8E100C20UH11	24.5	XAH/XAHD60H	2	1400	46.00	33.00	16.00	11.70	44.00	30.40	8.10	5.95	3.84	2.90
				1	1075	40.00	27.80		22.90	32.00				3.68	
YH2F48TB21S	TL8E080C16UH11	21.0	XAH/XAHC60H	2	1275	45.50	32.00	16.00	11.70	44.00	30.20	8.10	6.05	3.80	2.88
				1	1000	39.50	26.80		22.95	31.60				3.60	
YH2F48TB21S	TM9Y120D20MP11	21.0	XAH/XAHD60G	2	1225	45.50	31.20	15.20	11.70	44.50	29.60	7.80	6.35	3.58	2.68
				1	900	38.00	25.40		22.25	33.00				3.54	
YH2F48TB21S	TM9Y100C20MP11	21.0	XAH/XAHD60G	2	1525	46.00	33.20	15.20	11.00	46.00	31.00	7.80	6.30	3.56	2.60
				1	1150	39.50	27.80		21.75	34.60				3.78	
YH2F48TB21S	TM9Y080C16MP11	24.5	XAF/XAF/XAUD60G	2	1275	44.00	29.80	14.30	11.00	47.00	31.80	7.80	6.15	3.60	2.74
				1	925	37.80	25.00		21.25	33.40				3.52	
YH2F48TB21S	TM9V100C20MP12C	21.0	XAF/XAF/XAUC60G	2	1600	45.00	32.00	14.30	10.50	48.00	32.40	8.10	6.30	3.68	2.74
				1	975	38.00	25.40		21.75	33.40				3.62	
YH2F48TB21S	TP9C100C20MP13C	21.0	XAF/XAF/XAUC60G	2	1600	45.00	32.00	14.30	10.50	48.00	32.40	8.10	6.30	3.68	2.74
				1	975	38.00	25.40		21.75	33.40				3.62	
YH2F48TB21S	YP9C100C20MP13C	21.0	XAF/XAF/XAUC60G	2	1600	45.00	32.00	14.30	10.50	48.00	32.40	8.10	6.30	3.68	2.74
				1	975	38.00	25.40		21.75	33.40				3.62	
YH2F48TB21S	TM9V100C16MP12C	21.0	XAH/XAHD60G	2	1325	46.00	32.20	15.20	11.70	45.00	30.00	7.80	6.35	3.62	2.68
				1	875	38.00	25.40		22.05	33.00				3.50	
YH2F48TB21S	TP9C100C16MP13C	21.0	XAH/XAHD60G	2	1325	46.00	32.20	15.20	11.70	45.00	30.00	7.80	6.35	3.62	2.68
				1	875	38.00	25.40		22.05	33.00				3.50	
YH2F48TB21S	YP9C100C16MP13C	21.0	XAH/XAHD60G	2	1325	46.00	32.20	15.20	11.70	45.00	30.00	7.80	6.35	3.62	2.68
				1	875	38.00	25.40		22.05	33.00				3.50	
YH2F48TB21S	TM9V080C16MP12C	21.0	XAF/XAF/XAUC60G	2	1475	44.50	31.20	14.30	10.50	47.50	32.20	8.10	6.40	3.64	2.72
				1	950	38.00	25.40		21.45	33.40				3.58	
YH2F48TB21S	TP9C080C16MP13C	21.0	XAF/XAF/XAUC60G	2	1475	44.50	31.20	14.30	10.50	47.50	32.20	8.10	6.40	3.64	2.72
				1	950	38.00	25.40		21.45	33.40				3.58	
YH2F48TB21S	YP9C080C16MP13C	21.0	XAF/XAF/XAUC60G	2	1475	44.50	31.20	14.30	10.50	47.50	32.20	8.10	6.40	3.64	2.72
				1	950	38.00	25.40		21.45	33.40				3.58	
YH2F48TB21S	TM9E120D20MP12	24.5	XAF/XAF/XAUD60G	2	1625	45.50	32.60	14.30	10.50	48.00	32.40	8.10	6.25	3.72	2.76
				1	1200	40.00	28.40		21.90	34.80				3.86	
YH2F48TB21S	TM9E100C20MP12	21.0	XAF/XAF/XAUC60G	2	1575	45.50	32.40	14.30	10.50	47.50	32.20	8.10	6.25	3.70	2.76
				1	1175	39.50	27.80		22.00	34.60				3.84	
YH2F48TB21S	TM9E100C16MP12	21.0	XAF/XAF/XAUC60G	2	1500	45.00	31.60	14.30	10.50	47.50	32.20	7.80	6.15	3.64	2.74
				1	825	37.20	24.00		21.90	32.60				3.46	
YH2F48TB21S	TM9E080C20MP12	21.0	XAH/XAHC60G	2	1375	46.00	32.40	15.20	11.70	45.00	30.00	7.80	6.30	3.64	2.70
				1	1175	40.00	28.40		22.05	34.60				3.82	
YH2F48TB21S	TM9E080C20MP12	24.5	XAF/XAF/XAUD60G	2	1650	45.50	32.60	14.30	10.50	48.00	32.20	8.10	6.15	3.74	2.78
				1	1200	40.00	28.40		22.10	34.60				3.88	
YH2F48TB21S	TM8Y080C16MP11	24.5	XAF/XAF/XAUD60G	2	1400	44.50	30.80	14.30	10.50	47.00	32.00	8.10	6.40	3.66	2.76
				1	950	38.00	25.40		21.80	33.40				3.60	
YH2F48TB21S	TM8V120C20MP12C	21.0	XAF/XAF/XAUC60G	2	1425	45.00	31.40	15.20	11.00	47.00	31.80	8.10	6.30	3.70	2.80
				1	975	38.50	26.00		22.00	33.40				3.64	
YH2F48TB21S	TM8V100C20MP12C	21.0	XAF/XAF/XAUC60G	2	1425	45.00	31.40	15.20	11.00	47.00	31.80	8.10	6.30	3.70	2.80
				1	975	38.50	26.00		22.00	33.40				3.64	
YH2F48TB21S	TMLV120C20MP12C	21.0	XAF/XAF/XAUC60G	2	1425	45.00	31.40	15.20	11.00	47.00	31.80	8.10	6.30	3.70	2.80
				1	975	38.50	26.00		22.00	33.40				3.64	
YH2F48TB21S	TPLC100C20MP13C	21.0	XAF/XAF/XAUC60G	2	1425	45.00	31.40	15.20	11.00	47.00	31.80	8.10	6.30	3.70	2.80
				1	975	38.50	26.00		22.00	33.40				3.64	
YH2F48TB21S	TPLC120C20MP13C	21.0	XAF/XAF/XAUC60G	2	1425	45.00	31.40	15.20	11.00	47.00	31.80	8.10	6.30	3.70	2.80
				1	975	38.50	26.00		22.00	33.40				3.64	
YH2F48TB21S	YPLC100C20MP13C	21.0	XAF/XAF/XAUC60G	2	1425	45.00	31.40	15.20	11.00	47.00	31.80	8.10	6.30	3.70	2.80
				1	975	38.50	26.00		22.00	33.40				3.64	
YH2F48TB21S	YPLC120C20MP13C	21.0	XAF/XAF/XAUC60G	2	1425	45.00	31.40	15.20	11.00	47.00	31.80	8.10	6.30	3.70	2.80
				1	975	38.50	26.00		22.00	33.40				3.64	
YH2F48TB21S	TM8V100C20MP12C	24.5	XAF/XAF/XAUD60G	2	1750	46.00	33.60	15.20	10.50	48.00	32.40	8.10	6.15	3.76	2.76
				1	1175	40.00	28.40		22.20	34.40				3.86	
YH2F48TB21S	TM8V080C16MP12C	21.0	XAH/XAHD60G	2	1200	45.50	31.00	15.20	11.70	44.50	29.60	7.80	6.35	3.56	2.66
				1	800	37.40	24.40		21.95	32.60				3.42	
YH2F48TB21S	TM8E130D20MP11	24.5	XAF/XAF/XAUD60G	2	1675	45.50	32.80	14.30	10.50	48.00	32.40	8.10	6.15	3.74	2.76
				1	1250	40.50	29.20		22.10	35.00				3.92	

Table 13: Furnace capacity - 4 ton

Outdoor unit model	Furnace model	Furnace width (in.)	Indoor coil model	Stage	Rated CFM	Net cool (MBH)	Sens cool (MBH)	SEER2	EER2	Net47 (MBH)	Net17 (MBH)	HSPF2 IV	HSPF2 V	Cop47	Cop17
YH2F48TB21S	TMLE130D20MP11	24.5	XAF/XAF/XAUD60G	2	1675	45.50	32.80	14.30	10.50	48.00	32.40	8.10	6.15	3.74	2.76
				1	1250	40.50	29.20		22.10	35.00				3.92	
YH2F48TB21S	TM8E120C20MP11	24.5	XAF/XAF/XAUD60G	2	1650	45.50	32.60	14.30	10.50	48.00	32.20	8.10	6.15	3.74	2.78
				1	1250	40.50	29.20		22.05	35.00				3.92	
YH2F48TB21S	TMLE120C20MP11	24.5	XAF/XAF/XAUD60G	2	1650	45.50	32.60	14.30	10.50	48.00	32.20	8.10	6.15	3.74	2.78
				1	1250	40.50	29.20		22.05	35.00				3.92	
YH2F48TB21S	TM8E100C20MP11	21.0	XAH/XAHD60G	2	1375	46.00	32.40	15.20	11.70	45.00	30.00	7.80	6.30	3.64	2.68
				1	1150	39.50	27.80		21.75	34.60				3.78	
YH2F48TB21S	TMLE100C20MP11	21.0	XAH/XAHD60G	2	1375	46.00	32.40	15.20	11.70	45.00	30.00	7.80	6.30	3.64	2.68
				1	1150	39.50	27.80		21.75	34.60				3.78	
YH2F48TB21S	TL9E080C16UH11	21.0	XAH/XAHC60G	2	1475	46.00	32.80	15.20	11.00	46.00	30.80	7.50	6.05	3.58	2.62
				1	925	38.50	26.00		22.55	33.20				3.58	
YH2F48TB21S	TL8E100C20UH11	21.0	XAH/XAHC60G	2	1500	46.50	33.40	16.00	11.70	45.50	30.20	7.80	6.30	3.70	2.70
				1	1075	39.50	27.60		22.90	33.80				3.76	
YH2F48TB21S	TL8E080C16UH11	21.0	XAF/XAF/XAUC60G	2	1450	45.00	31.60	14.30	10.50	47.50	32.00	8.10	6.40	3.66	2.74
				1	950	38.00	25.40		21.95	33.40				3.60	
YH2F48TB21S	TM9Y120D20MP11	24.5	XAF/XAF/XAUD60H	2	1375	45.50	31.60	15.20	11.70	43.50	29.40	7.80	6.30	3.70	2.72
				1	975	38.50	26.20		22.10	31.60				3.58	
YH2F48TB21S	TM9Y100C16MP11	24.5	XAF/XAF/XAUD60H	2	1225	44.50	30.00	15.20	11.70	43.50	29.40	7.80	6.35	3.60	2.70
				1	975	38.50	26.20		21.55	31.80				3.54	
YH2F48TB21S	TM9Y080C16MP11	24.5	XAH/XAHD60H	2	1225	45.00	31.20	15.20	11.70	44.00	30.40	7.80	5.90	3.72	2.86
				1	1000	39.00	26.40		22.35	31.80				3.56	
YH2F48TB21S	TM9V100C20MP12C	21.0	XAH/XAHC60H	2	1350	45.50	32.40	16.00	11.70	44.00	30.40	8.10	6.05	3.82	2.90
				1	825	38.50	25.00		23.35	30.80				3.46	
YH2F48TB21S	TP9C100C20MP13C	21.0	XAH/XAHC60H	2	1350	45.50	32.40	16.00	11.70	44.00	30.40	8.10	6.05	3.82	2.90
				1	825	38.50	25.00		23.35	30.80				3.46	
YH2F48TB21S	YP9C100C20MP13C	21.0	XAH/XAHC60H	2	1350	45.50	32.40	16.00	11.70	44.00	30.40	8.10	6.05	3.82	2.90
				1	825	38.50	25.00		23.35	30.80				3.46	
YH2F48TB21S	TM9V100C16MP12C	24.5	XAH/XAHD60H	2	1325	45.50	32.20	15.20	11.70	44.00	30.40	8.10	6.05	3.80	2.88
				1	900	38.50	25.40		22.80	31.20				3.50	
YH2F48TB21S	TP9C100C16MP13C	24.5	XAH/XAHD60H	2	1325	45.50	32.20	15.20	11.70	44.00	30.40	8.10	6.05	3.80	2.88
				1	900	38.50	25.40		22.80	31.20				3.50	
YH2F48TB21S	YP9C100C16MP13C	24.5	XAH/XAHD60H	2	1325	45.50	32.20	15.20	11.70	44.00	30.40	8.10	6.05	3.80	2.88
				1	900	38.50	25.40		22.80	31.20				3.50	
YH2F48TB21S	TM9V100C16MP12C	24.5	XAF/XAF/XAUD60H	2	1325	45.00	31.00	15.20	11.70	43.50	29.40	7.80	6.35	3.68	2.72
				1	900	38.00	25.40		21.75	31.20				3.50	
YH2F48TB21S	TP9C100C16MP13C	24.5	XAF/XAF/XAUD60H	2	1325	45.00	31.00	15.20	11.70	43.50	29.40	7.80	6.35	3.68	2.72
				1	900	38.00	25.40		21.75	31.20				3.50	
YH2F48TB21S	YP9C100C16MP13C	24.5	XAF/XAF/XAUD60H	2	1325	45.00	31.00	15.20	11.70	43.50	29.40	7.80	6.35	3.68	2.72
				1	900	38.00	25.40		21.75	31.20				3.50	
YH2F48TB21S	TM9V080C16MP12C	24.5	XAF/XAF/XAUD60H	2	1300	45.00	30.80	15.20	11.70	43.50	29.40	7.80	6.35	3.62	2.68
				1	875	38.00	25.40		21.55	31.20				3.46	
YH2F48TB21S	TP9C080C16MP13C	24.5	XAF/XAF/XAUD60H	2	1300	45.00	30.80	15.20	11.70	43.50	29.40	7.80	6.35	3.62	2.68
				1	875	38.00	25.40		21.55	31.20				3.46	
YH2F48TB21S	YP9C080C16MP13C	24.5	XAF/XAF/XAUD60H	2	1300	45.00	30.80	15.20	11.70	43.50	29.40	7.80	6.35	3.62	2.68
				1	875	38.00	25.40		21.55	31.20				3.46	
YH2F48TB21S	TM9E100C16MP12	21.0	XAH/XAHC60H	2	1275	45.00	31.60	16.00	11.70	44.00	30.40	8.10	6.05	3.78	2.88
				1	900	39.00	25.80		23.20	31.20				3.50	
YH2F48TB21S	TM9E100C16MP12	21.0	XAF/XAFC60H	2	1250	45.00	30.60	15.20	11.70	43.50	29.40	7.80	6.35	3.64	2.70
				1	850	38.00	25.40		22.00	31.00				3.44	
YH2F48TB21S	TM9E080C20MP12	24.5	XAH/XAHD60H	2	1400	45.50	32.60	15.20	11.70	44.00	30.40	8.10	5.80	3.84	2.88
				1	1225	40.50	29.00		22.25	32.80				3.80	
YH2F48TB21S	TM9E080B12MP12	21.0	XAH/XAHC60H	2	1250	45.00	31.40	15.20	11.70	44.00	30.60	7.80	5.90	3.72	2.84
				1	875	38.50	25.20		22.85	31.20				3.46	
YH2F48TB21S	TM8Y120C20MP11	24.5	XAF/XAF/XAUD60H	2	1350	45.50	31.60	15.20	11.70	43.50	29.40	7.80	6.30	3.70	2.72
				1	1025	39.00	27.00		22.10	31.80				3.62	
YH2F48TB21S	TM8V120C20MP12C	21.0	XAF/XAFC60H	2	1425	45.50	31.80	15.20	11.70	43.50	29.40	8.10	6.55	3.74	2.74
				1	975	39.00	26.80		22.30	31.60				3.60	
YH2F48TB21S	TMLV120C20MP12C	21.0	XAF/XAFC60H	2	1425	45.50	31.80	15.20	11.70	43.50	29.40	8.10	6.55	3.74	2.74
				1	975	39.00	26.80		22.30	31.60				3.60	

Table 13: Furnace capacity - 4 ton

Outdoor unit model	Furnace model	Furnace width (in.)	Indoor coil model	Stage	Rated CFM	Net cool (MBH)	Sens cool (MBH)	SEER2	EER2	Net47 (MBH)	Net17 (MBH)	HSPF2 IV	HSPF2 V	Cop47	Cop17
YH2F48TB21S	TPLC100C20MP13C	21.0	XAF/XAFC60H	2	1425	45.50	31.80	15.20	11.70	43.50	29.40	8.10	6.55	3.74	2.74
				1	975	39.00	26.80		22.30	31.60				3.60	
YH2F48TB21S	TPLC120C20MP13C	21.0	XAF/XAFC60H	2	1425	45.50	31.80	15.20	11.70	43.50	29.40	8.10	6.55	3.74	2.74
				1	975	39.00	26.80		22.30	31.60				3.60	
YH2F48TB21S	YPLC100C20MP13C	21.0	XAF/XAFC60H	2	1425	45.50	31.80	15.20	11.70	43.50	29.40	8.10	6.55	3.74	2.74
				1	975	39.00	26.80		22.30	31.60				3.60	
YH2F48TB21S	YPLC120C20MP13C	21.0	XAF/XAFC60H	2	1425	45.50	31.80	15.20	11.70	43.50	29.40	8.10	6.55	3.74	2.74
				1	975	39.00	26.80		22.30	31.60				3.60	
YH2F48TB21S	TM8E120C20MP11	21.0	XAH/XAHC60H	2	1525	46.00	33.80	16.00	11.70	44.50	30.60	8.10	5.65	3.88	2.88
				1	1325	41.00	30.00		22.40	33.20				3.92	
YH2F48TB21S	TMLE120C20MP11	21.0	XAH/XAHC60H	2	1525	46.00	33.80	16.00	11.70	44.50	30.60	8.10	5.65	3.88	2.88
				1	1325	41.00	30.00		22.40	33.20				3.92	
YH2F48TB21S	TM8E120C20MP11	21.0	XAF/XAFC60H	2	1500	46.00	32.40	15.20	11.70	44.00	29.60	8.10	6.45	3.74	2.72
				1	1300	40.50	29.40		21.80	33.00				3.88	
YH2F48TB21S	TMLE120C20MP11	21.0	XAF/XAFC60H	2	1500	46.00	32.40	15.20	11.70	44.00	29.60	8.10	6.45	3.74	2.72
				1	1300	40.50	29.40		21.80	33.00				3.88	
YH2F48TB21S	TM8E100C16MP11	24.5	XAH/XAHD60H	2	1275	45.00	31.60	16.00	11.70	44.00	30.40	8.10	6.20	3.78	2.88
				1	850	38.50	25.20		23.05	31.00				3.46	
YH2F48TB21S	TMLE100C16MP11	24.5	XAH/XAHD60H	2	1275	45.00	31.60	16.00	11.70	44.00	30.40	8.10	6.20	3.78	2.88
				1	850	38.50	25.20		23.05	31.00				3.46	
YH2F48TB21S	TM8E100B12MP11	21.0	XAH/XAHC60H	2	1250	45.00	31.40	16.00	11.70	44.00	30.40	7.80	5.90	3.74	2.86
				1	825	38.50	25.00		23.20	31.00				3.44	
YH2F48TB21S	TMLE100B12MP11	21.0	XAH/XAHC60H	2	1250	45.00	31.40	16.00	11.70	44.00	30.40	7.80	5.90	3.74	2.86
				1	825	38.50	25.00		23.20	31.00				3.44	
YH2F48TB21S	TM8E080C16MP11	24.5	XAF/XAF/XAUD60H	2	1250	45.00	30.60	15.20	11.70	43.50	29.20	7.80	6.35	3.64	2.72
				1	825	37.80	25.00		21.85	31.00				3.42	
YH2F48TB21S	TMLE080C16MP11	24.5	XAF/XAF/XAUD60H	2	1250	45.00	30.60	15.20	11.70	43.50	29.20	7.80	6.35	3.64	2.72
				1	825	37.80	25.00		21.85	31.00				3.42	
YH2F48TB21S	TM8E080C16MP11	21.0	XAF/XAFC60H	2	1250	45.00	30.60	15.20	11.70	43.50	29.20	7.80	6.35	3.64	2.72
				1	875	38.00	25.40		22.10	31.20				3.48	
YH2F48TB21S	TMLE080C16MP11	21.0	XAF/XAFC60H	2	1250	45.00	30.60	15.20	11.70	43.50	29.20	7.80	6.35	3.64	2.72
				1	875	38.00	25.40		22.10	31.20				3.48	
YH2F48TB21S	TL9E100C20UH11	24.5	XAH/XAHD60H	2	1400	45.50	32.60	16.00	11.70	44.50	30.60	8.10	5.95	3.84	2.88
				1	1150	40.00	28.20		22.60	32.40				3.74	
YH2F48TB21S	TL9E100C20UH11	21.0	XAH/XAHC60H	2	1425	46.00	33.20	16.00	11.70	44.50	30.40	8.10	5.80	3.86	2.90
				1	1175	40.50	28.60		22.80	32.40				3.78	
YH2F48TB21S	TL9E100C20UH11	21.0	XAF/XAFC60H	2	1400	45.50	31.60	15.20	11.70	43.50	29.40	8.10	6.60	3.70	2.72
				1	1150	40.00	28.40		22.00	32.40				3.74	
YH2F48TB21S	TL9E080C16UH11	21.0	XAH/XAHC60H	2	1250	45.00	31.40	16.00	11.70	44.00	30.40	8.10	6.05	3.76	2.86
				1	950	39.00	26.20		22.90	31.40				3.54	
YH2F48TB21S	TL8E080C16UH11	24.5	XAH/XAHD60H	2	1250	45.00	31.40	15.20	11.70	44.00	30.40	8.10	6.05	3.76	2.88
				1	975	39.00	26.20		22.70	31.60				3.56	
YH2F48TB21S	TM9Y120D20MP11	24.5	XAF/XAF/XAUD60G	2	1700	45.50	32.80	15.20	10.50	48.00	32.60	8.10	6.30	3.68	2.72
				1	975	38.50	26.00		22.35	33.40				3.64	
YH2F48TB21S	TM9Y100C20MP11	21.0	XAF/XAF/XAUC60G	2	1575	45.00	32.00	14.30	10.50	48.00	32.60	8.10	6.30	3.64	2.72
				1	1175	39.50	27.80		21.70	34.60				3.82	
YH2F48TB21S	TM9Y100C16MP11	24.5	XAF/XAF/XAUD60G	2	1275	44.00	29.80	14.30	11.00	47.00	31.80	7.80	6.15	3.62	2.74
				1	950	38.00	25.40		21.50	33.40				3.56	
YH2F48TB21S	TM9Y100C16MP11	21.0	XAF/XAF/XAUC60G	2	1275	44.00	29.80	14.30	11.00	47.00	31.80	7.80	6.15	3.62	2.74
				1	950	38.00	25.40		21.55	33.40				3.56	
YH2F48TB21S	TM9Y080C16MP11	21.0	XAH/XAHC60G	2	1300	45.50	31.60	15.20	11.50	45.00	30.00	7.50	6.05	3.56	2.64
				1	975	38.50	26.20		22.10	33.60				3.60	
YH2F48TB21S	TM9V080C16MP12C	21.0	XAH/XAHC60G	2	1475	46.00	32.80	15.20	11.00	46.00	30.60	7.50	6.05	3.58	2.64
				1	950	38.50	26.20		22.20	33.40				3.60	
YH2F48TB21S	TP9C080C16MP13C	21.0	XAH/XAHC60G	2	1475	46.00	32.80	15.20	11.00	46.00	30.60	7.50	6.05	3.58	2.64
				1	950	38.50	26.20		22.20	33.40				3.60	
YH2F48TB21S	YP9C080C16MP13C	21.0	XAH/XAHC60G	2	1475	46.00	32.80	15.20	11.00	46.00	30.60	7.50	6.05	3.58	2.64
				1	950	38.50	26.20		22.20	33.40				3.60	
YH2F48TB21S	TM9E100C20MP12	24.5	XAF/XAF/XAUD60G	2	1600	45.50	32.60	14.30	10.50	47.50	32.20	8.10	6.25	3.72	2.78
				1	1175	39.50	27.80		22.00	34.60				3.84	

Table 13: Furnace capacity - 4 ton

Outdoor unit model	Furnace model	Furnace width (in.)	Indoor coil model	Stage	Rated CFM	Net cool (MBH)	Sens cool (MBH)	SEER2	EER2	Net47 (MBH)	Net17 (MBH)	HSPF2 IV	HSPF2 V	Cop47	Cop17
YH2F48TB21S	TM9E080C20MP12	21.0	XAF/XAF/XAUC60G	2	1625	45.50	32.60	14.30	10.50	48.00	32.20	8.10	6.25	3.72	2.76
				1	1200	40.00	28.40		22.05	34.80				3.86	
YH2F48TB21S	TM9E080C16MP12	21.0	XAH/XAHC60G	2	1450	46.00	32.80	15.20	11.00	45.50	30.60	7.50	6.10	3.58	2.64
				1	825	37.80	25.00		22.75	32.60				3.48	
YH2F48TB21S	TM9E080C16MP12	21.0	XAF/XAF/XAUC60G	2	1450	45.00	31.60	14.30	10.50	47.50	32.20	7.80	6.15	3.64	2.74
				1	900	37.80	25.00		21.70	33.00				3.52	
YH2F48TB21S	TM8V100C16MP12C	21.0	XAH/XAHC60G	2	1275	45.50	31.40	15.20	11.70	45.00	29.80	7.80	6.35	3.60	2.68
				1	850	37.80	25.00		22.40	32.80				3.50	
YH2F48TB21S	TMLV100C16MP12C	21.0	XAH/XAHC60G	2	1275	45.50	31.40	15.20	11.70	45.00	29.80	7.80	6.35	3.60	2.68
				1	850	37.80	25.00		22.40	32.80				3.50	
YH2F48TB21S	TPLC080C16MP13C	21.0	XAH/XAHC60G	2	1275	45.50	31.40	15.20	11.70	45.00	29.80	7.80	6.35	3.60	2.68
				1	850	37.80	25.00		22.40	32.80				3.50	
YH2F48TB21S	TPLC100C16MP13C	21.0	XAH/XAHC60G	2	1275	45.50	31.40	15.20	11.70	45.00	29.80	7.80	6.35	3.60	2.68
				1	850	37.80	25.00		22.40	32.80				3.50	
YH2F48TB21S	YPLC080C16MP13C	21.0	XAH/XAHC60G	2	1275	45.50	31.40	15.20	11.70	45.00	29.80	7.80	6.35	3.60	2.68
				1	850	37.80	25.00		22.40	32.80				3.50	
YH2F48TB21S	YPLC100C16MP13C	21.0	XAH/XAHC60G	2	1275	45.50	31.40	15.20	11.70	45.00	29.80	7.80	6.35	3.60	2.68
				1	850	37.80	25.00		22.40	32.80				3.50	
YH2F48TB21S	TM8E120C20MP11	21.0	XAH/XAHC60G	2	1400	46.00	32.40	15.20	11.70	45.00	30.00	7.80	6.25	3.66	2.70
				1	1225	40.00	28.60		22.00	35.00				3.88	
YH2F48TB21S	TMLE120C20MP11	21.0	XAH/XAHC60G	2	1400	46.00	32.40	15.20	11.70	45.00	30.00	7.80	6.25	3.66	2.70
				1	1225	40.00	28.60		22.00	35.00				3.88	
YH2F48TB21S	TM8E120C16MP11	21.0	XAH/XAHC60G	2	1475	46.00	32.80	15.20	11.70	45.50	30.40	7.80	6.30	3.64	2.66
				1	875	38.00	25.40		22.90	32.80				3.54	
YH2F48TB21S	TMLE120C16MP11	21.0	XAH/XAHC60G	2	1475	46.00	32.80	15.20	11.70	45.50	30.40	7.80	6.30	3.64	2.66
				1	875	38.00	25.40		22.90	32.80				3.54	
YH2F48TB21S	TM8E080C20MP11	21.0	XAH/XAHD60G	2	1400	46.00	32.40	15.20	11.70	45.00	30.20	7.80	6.30	3.64	2.68
				1	1150	39.50	27.80		21.85	34.60				3.78	
YH2F48TB21S	TMLE080C20MP11	21.0	XAH/XAHD60G	2	1400	46.00	32.40	15.20	11.70	45.00	30.20	7.80	6.30	3.64	2.68
				1	1150	39.50	27.80		21.85	34.60				3.78	
YH2F48TB21S	TM8E080C16MP11	21.0	XAH/XAHC60G	2	1475	46.00	32.80	15.20	11.00	45.50	30.40	7.50	6.05	3.62	2.66
				1	875	38.00	25.40		22.85	32.80				3.54	
YH2F48TB21S	TMLE080C16MP11	21.0	XAH/XAHC60G	2	1475	46.00	32.80	15.20	11.00	45.50	30.40	7.50	6.05	3.62	2.66
				1	875	38.00	25.40		22.85	32.80				3.54	
YH2F48TB21S	TL9E100C20UH11	21.0	XAH/XAHD60G	2	1250	45.50	31.40	15.20	11.70	44.50	29.80	7.80	6.30	3.60	2.68
				1	1100	39.50	27.60		21.55	34.40				3.70	
YH2F48TB21S	TL9E100C20UH11	24.5	XAF/XAF/XAUD60G	2	1475	45.00	31.60	15.20	11.00	47.00	32.00	8.10	6.20	3.70	2.78
				1	1100	39.00	27.00		22.00	34.20				3.76	
YH2F48TB21S	TL9E080C16UH11	21.0	XAF/XAF/XAUC60G	2	1475	44.50	31.20	14.30	10.50	47.50	32.20	7.80	6.20	3.62	2.72
				1	900	37.80	25.00		21.75	33.00				3.54	
YH2F48TB21S	TL8E080C16UH11	21.0	XAH/XAHC60G	2	1275	45.50	31.40	15.20	11.70	45.00	29.80	7.80	6.30	3.60	2.68
				1	1075	39.00	27.20		21.90	34.20				3.70	
YH2F48TB21S	TM9Y100C20MP11	21.0	XAH/XAHC60H	2	1550	46.00	33.80	15.20	11.00	45.00	31.00	8.10	5.95	3.82	2.84
				1	1225	40.50	29.00		22.25	32.80				3.80	
YH2F48TB21S	TM9V100C20MP12C	24.5	XAH/XAHD60H	2	1275	45.00	31.60	15.20	11.70	44.00	30.40	7.80	5.90	3.78	2.88
				1	800	38.00	24.40		22.95	30.80				3.40	
YH2F48TB21S	TP9C100C20MP13C	24.5	XAH/XAHD60H	2	1275	45.00	31.60	15.20	11.70	44.00	30.40	7.80	5.90	3.78	2.88
				1	800	38.00	24.40		22.95	30.80				3.40	
YH2F48TB21S	YP9C100C20MP13C	24.5	XAH/XAHD60H	2	1275	45.00	31.60	15.20	11.70	44.00	30.40	7.80	5.90	3.78	2.88
				1	800	38.00	24.40		22.95	30.80				3.40	
YH2F48TB21S	TM9V080C16MP12C	21.0	XAH/XAHC60H	2	1300	45.00	31.60	16.00	11.70	44.00	30.40	7.80	5.90	3.78	2.86
				1	875	38.50	25.20		22.95	31.20				3.48	
YH2F48TB21S	TP9C080C16MP13C	21.0	XAH/XAHC60H	2	1300	45.00	31.60	16.00	11.70	44.00	30.40	7.80	5.90	3.78	2.86
				1	875	38.50	25.20		22.95	31.20				3.48	
YH2F48TB21S	YP9C080C16MP13C	21.0	XAH/XAHC60H	2	1300	45.00	31.60	16.00	11.70	44.00	30.40	7.80	5.90	3.78	2.86
				1	875	38.50	25.20		22.95	31.20				3.48	
YH2F48TB21S	TM9E120D20MP12	24.5	XAH/XAHD60H	2	1725	46.50	35.40	15.20	11.00	45.50	31.40	8.10	5.80	3.84	2.80
				1	1275	41.00	29.80		22.35	33.00				3.86	
YH2F48TB21S	TM9E120D20MP12	24.5	XAF/XAF/XAUD60H	2	1425	45.50	31.80	15.20	11.70	44.00	29.40	8.10	6.60	3.70	2.72
				1	1225	40.00	28.60		21.55	32.80				3.78	

Table 13: Furnace capacity - 4 ton

Outdoor unit model	Furnace model	Furnace width (in.)	Indoor coil model	Stage	Rated CFM	Net cool (MBH)	Sens cool (MBH)	SEER2	EER2	Net47 (MBH)	Net17 (MBH)	HSPF2 IV	HSPF2 V	Cop47	Cop17
YH2F48TB21S	TM9E100C20MP12	24.5	XAF/XAF/XAUD60H	2	1375	45.50	31.60	15.20	11.70	43.50	29.40	8.10	6.60	3.70	2.72
				1	1200	40.00	28.40							21.65	32.60
YH2F48TB21S	TM8Y080C16MP11	21.0	XAH/XAHC60H	2	1375	45.50	32.40	16.00	11.70	44.00	30.40	8.10	6.05	3.82	2.88
				1	850	38.50	25.20							23.60	31.00
YH2F48TB21S	TM8V120C20MP12C	24.5	XAF/XAF/XAUD60H	2	1775	46.50	33.80	15.20	11.00	45.00	30.20	8.10	6.45	3.76	2.68
				1	1225	40.50	29.00							22.05	32.60
YH2F48TB21S	TM8V100C20MP12C	24.5	XAF/XAF/XAUD60H	2	1775	46.50	33.80	15.20	11.00	45.00	30.20	8.10	6.45	3.76	2.68
				1	1225	40.50	29.00							22.05	32.60
YH2F48TB21S	TMLV120C20MP12C	24.5	XAF/XAF/XAUD60H	2	1775	46.50	33.80	15.20	11.00	45.00	30.20	8.10	6.45	3.76	2.68
				1	1225	40.50	29.00							22.05	32.60
YH2F48TB21S	TPLC100C20MP13C	24.5	XAF/XAF/XAUD60H	2	1775	46.50	33.80	15.20	11.00	45.00	30.20	8.10	6.45	3.76	2.68
				1	1225	40.50	29.00							22.05	32.60
YH2F48TB21S	TPLC120C20MP13C	24.5	XAF/XAF/XAUD60H	2	1775	46.50	33.80	15.20	11.00	45.00	30.20	8.10	6.45	3.76	2.68
				1	1225	40.50	29.00							22.05	32.60
YH2F48TB21S	YPLC100C20MP13C	24.5	XAF/XAF/XAUD60H	2	1775	46.50	33.80	15.20	11.00	45.00	30.20	8.10	6.45	3.76	2.68
				1	1225	40.50	29.00							22.05	32.60
YH2F48TB21S	YPLC120C20MP13C	24.5	XAF/XAF/XAUD60H	2	1775	46.50	33.80	15.20	11.00	45.00	30.20	8.10	6.45	3.76	2.68
				1	1225	40.50	29.00							22.05	32.60
YH2F48TB21S	TM8E120C20MP11	24.5	XAH/XAHD60H	2	1500	46.00	33.60	15.20	11.70	44.50	30.60	8.10	5.80	3.86	2.88
				1	1300	41.00	29.80							22.20	33.00
YH2F48TB21S	TMLE120C20MP11	24.5	XAH/XAHD60H	2	1500	46.00	33.60	15.20	11.70	44.50	30.60	8.10	5.80	3.86	2.88
				1	1300	41.00	29.80							22.20	33.00
YH2F48TB21S	TM8E120C20MP11	24.5	XAF/XAF/XAUD60H	2	1500	46.00	32.40	15.20	11.70	44.00	29.60	8.10	6.45	3.74	2.72
				1	1275	40.50	29.20							21.65	33.00
YH2F48TB21S	TMLE120C20MP11	24.5	XAF/XAF/XAUD60H	2	1500	46.00	32.40	15.20	11.70	44.00	29.60	8.10	6.45	3.74	2.72
				1	1275	40.50	29.20							21.65	33.00
YH2F48TB21S	TM8E120C16MP11	24.5	XAH/XAHD60H	2	1275	45.50	32.00	16.00	11.70	44.00	30.40	8.10	6.20	3.78	2.88
				1	850	38.50	25.20							23.05	31.00
YH2F48TB21S	TMLE120C16MP11	24.5	XAH/XAHD60H	2	1275	45.50	32.00	16.00	11.70	44.00	30.40	8.10	6.20	3.78	2.88
				1	850	38.50	25.20							23.05	31.00
YH2F48TB21S	TM8E120C16MP11	21.0	XAH/XAHC60H	2	1300	45.50	32.00	16.00	11.70	44.00	30.20	8.10	6.05	3.80	2.90
				1	925	39.00	26.00							23.40	31.20
YH2F48TB21S	TMLE120C16MP11	21.0	XAH/XAHC60H	2	1300	45.50	32.00	16.00	11.70	44.00	30.20	8.10	6.05	3.80	2.90
				1	925	39.00	26.00							23.40	31.20
YH2F48TB21S	TM8E100C20MP11	21.0	XAH/XAHC60H	2	1525	46.00	33.80	16.00	11.70	44.50	30.80	8.10	5.80	3.88	2.88
				1	1300	41.00	29.80							22.55	33.00
YH2F48TB21S	TMLE100C20MP11	21.0	XAH/XAHC60H	2	1525	46.00	33.80	16.00	11.70	44.50	30.80	8.10	5.80	3.88	2.88
				1	1300	41.00	29.80							22.55	33.00
YH2F48TB21S	TM8E100C16MP11	24.5	XAF/XAF/XAUD60H	2	1275	45.00	30.80	15.20	11.70	43.50	29.40	7.80	6.35	3.66	2.72
				1	825	37.80	25.00							21.90	31.00
YH2F48TB21S	TMLE100C16MP11	24.5	XAF/XAF/XAUD60H	2	1275	45.00	30.80	15.20	11.70	43.50	29.40	7.80	6.35	3.66	2.72
				1	825	37.80	25.00							21.90	31.00
YH2F48TB21S	TM8E080C20MP11	24.5	XAH/XAHD60H	2	1550	46.00	33.80	16.00	11.70	45.00	30.80	8.10	5.80	3.86	2.86
				1	1275	41.00	29.80							22.40	33.00
YH2F48TB21S	TMLE080C20MP11	24.5	XAH/XAHD60H	2	1550	46.00	33.80	16.00	11.70	45.00	30.80	8.10	5.80	3.86	2.86
				1	1275	41.00	29.80							22.40	33.00
YH2F48TB21S	TL9E100C20UH11	24.5	XAF/XAF/XAUD60H	2	1400	45.50	31.60	15.20	11.70	44.00	29.40	8.10	6.60	3.70	2.72
				1	1150	40.00	28.40							21.95	32.40
YH2F48TB21S	TL9E080C16UH11	24.5	XAF/XAF/XAUD60H	2	1225	44.50	30.00	15.20	11.70	43.50	29.40	7.80	6.35	3.60	2.70
				1	925	38.50	26.00							21.75	31.40
YH2F48TB21S	TL8E100C20UH11	21.0	XAF/XAFC60H	2	1400	45.50	31.60	15.20	11.70	43.50	29.40	8.10	6.60	3.72	2.74
				1	1075	39.50	27.60							22.20	32.00
YH2F48TB21S	TM9Y100C20MP11	21.0	XAH/XAHC60G	2	1400	46.00	32.40	15.20	11.70	45.50	30.40	7.80	6.30	3.60	2.66
				1	1150	39.50	27.80							21.80	34.60
YH2F48TB21S	TM9Y100C20MP11	24.5	XAF/XAF/XAUD60G	2	1575	45.00	32.00	14.30	10.50	48.00	32.60	8.10	6.30	3.64	2.70
				1	1175	39.50	27.80							21.70	34.60
YH2F48TB21S	TM9Y100C16MP11	21.0	XAH/XAHC60G	2	1300	45.50	31.60	15.20	11.50	45.00	30.00	7.50	6.05	3.58	2.66
				1	975	38.50	26.20							22.20	33.60
YH2F48TB21S	TM9V120D20MP12C	21.0	XAH/XAHD60G	2	1400	46.00	32.40	15.20	11.70	45.00	30.00	7.80	6.30	3.66	2.70
				1	900	38.00	25.40							22.30	33.00

Table 13: Furnace capacity - 4 ton

Outdoor unit model	Furnace model	Furnace width (in.)	Indoor coil model	Stage	Rated CFM	Net cool (MBH)	Sens cool (MBH)	SEER2	EER2	Net47 (MBH)	Net17 (MBH)	HSPF2 IV	HSPF2 V	Cop47	Cop17
YH2F48TB21S	TP9C120D20MP13C	21.0	XAH/XAHD60G	2	1400	46.00	32.40	15.20	11.70	45.00	30.00	7.80	6.30	3.66	2.70
				1	900	38.00	25.40		22.30	33.00				3.54	
YH2F48TB21S	YP9C120D20MP13C	21.0	XAH/XAHD60G	2	1400	46.00	32.40	15.20	11.70	45.00	30.00	7.80	6.30	3.66	2.70
				1	900	38.00	25.40		22.30	33.00				3.54	
YH2F48TB21S	TM9V100C20MP12C	21.0	XAH/XAHD60G	2	1625	46.50	34.20	15.20	11.00	46.50	31.00	7.80	6.35	3.64	2.66
				1	975	38.50	26.20		22.10	33.40				3.62	
YH2F48TB21S	TP9C100C20MP13C	21.0	XAH/XAHD60G	2	1625	46.50	34.20	15.20	11.00	46.50	31.00	7.80	6.35	3.64	2.66
				1	975	38.50	26.20		22.10	33.40				3.62	
YH2F48TB21S	YP9C100C20MP13C	21.0	XAH/XAHD60G	2	1625	46.50	34.20	15.20	11.00	46.50	31.00	7.80	6.35	3.64	2.66
				1	975	38.50	26.20		22.10	33.40				3.62	
YH2F48TB21S	TM9V100C20MP12C	24.5	XAF/XAF/XAUD60G	2	1600	45.00	32.00	14.30	10.50	48.00	32.40	8.10	6.30	3.70	2.76
				1	975	38.00	25.40		21.70	33.40				3.62	
YH2F48TB21S	TP9C100C20MP13C	24.5	XAF/XAF/XAUD60G	2	1600	45.00	32.00	14.30	10.50	48.00	32.40	8.10	6.30	3.70	2.76
				1	975	38.00	25.40		21.70	33.40				3.62	
YH2F48TB21S	YP9C100C20MP13C	24.5	XAF/XAF/XAUD60G	2	1600	45.00	32.00	14.30	10.50	48.00	32.40	8.10	6.30	3.70	2.76
				1	975	38.00	25.40		21.70	33.40				3.62	
YH2F48TB21S	TM9V100C16MP12C	21.0	XAH/XAHC60G	2	1350	46.00	32.20	15.20	11.70	45.00	30.00	7.80	6.30	3.62	2.68
				1	900	38.00	25.40		22.35	33.00				3.54	
YH2F48TB21S	TP9C100C16MP13C	21.0	XAH/XAHC60G	2	1350	46.00	32.20	15.20	11.70	45.00	30.00	7.80	6.30	3.62	2.68
				1	900	38.00	25.40		22.35	33.00				3.54	
YH2F48TB21S	YP9C100C16MP13C	21.0	XAH/XAHC60G	2	1350	46.00	32.20	15.20	11.70	45.00	30.00	7.80	6.30	3.62	2.68
				1	900	38.00	25.40		22.35	33.00				3.54	
YH2F48TB21S	TM9V100C16MP12C	24.5	XAF/XAF/XAUD60G	2	1650	45.50	32.60	14.30	10.50	48.00	32.40	8.10	6.25	3.70	2.74
				1	1125	39.50	27.60		21.75	34.20				3.78	
YH2F48TB21S	TP9C100C16MP13C	24.5	XAF/XAF/XAUD60G	2	1650	45.50	32.60	14.30	10.50	48.00	32.40	8.10	6.25	3.70	2.74
				1	1125	39.50	27.60		21.75	34.20				3.78	
YH2F48TB21S	YP9C100C16MP13C	24.5	XAF/XAF/XAUD60G	2	1650	45.50	32.60	14.30	10.50	48.00	32.40	8.10	6.25	3.70	2.74
				1	1125	39.50	27.60		21.75	34.20				3.78	
YH2F48TB21S	TM9V080B12MP12C	21.0	XAH/XAHC60G	2	1250	45.00	30.80	15.20	11.00	45.00	30.00	7.50	6.10	3.52	2.62
				1	825	37.60	24.80		22.05	32.60				3.44	
YH2F48TB21S	TP9C080B12MP13C	21.0	XAH/XAHC60G	2	1250	45.00	30.80	15.20	11.00	45.00	30.00	7.50	6.10	3.52	2.62
				1	825	37.60	24.80		22.05	32.60				3.44	
YH2F48TB21S	YP9C080B12MP13C	21.0	XAH/XAHC60G	2	1250	45.00	30.80	15.20	11.00	45.00	30.00	7.50	6.10	3.52	2.62
				1	825	37.60	24.80		22.05	32.60				3.44	
YH2F48TB21S	TM8Y080C16MP11	21.0	XAF/XAF/XAUC60G	2	1425	45.00	31.40	15.20	11.00	47.00	32.00	8.10	6.40	3.66	2.76
				1	975	38.50	26.00		22.00	33.40				3.62	
YH2F48TB21S	TM8V120C20MP12C	21.0	XAH/XAHC60G	2	1425	46.00	32.60	15.20	11.70	45.00	30.20	7.80	6.25	3.66	2.70
				1	975	38.50	26.20		22.65	33.40				3.64	
YH2F48TB21S	TM8V100C20MP12C	21.0	XAH/XAHC60G	2	1425	46.00	32.60	15.20	11.70	45.00	30.20	7.80	6.25	3.66	2.70
				1	975	38.50	26.20		22.65	33.40				3.64	
YH2F48TB21S	TMLV120C20MP12C	21.0	XAH/XAHC60G	2	1425	46.00	32.60	15.20	11.70	45.00	30.20	7.80	6.25	3.66	2.70
				1	975	38.50	26.20		22.65	33.40				3.64	
YH2F48TB21S	TPLC100C20MP13C	21.0	XAH/XAHC60G	2	1425	46.00	32.60	15.20	11.70	45.00	30.20	7.80	6.25	3.66	2.70
				1	975	38.50	26.20		22.65	33.40				3.64	
YH2F48TB21S	TPLC120C20MP13C	21.0	XAH/XAHC60G	2	1425	46.00	32.60	15.20	11.70	45.00	30.20	7.80	6.25	3.66	2.70
				1	975	38.50	26.20		22.65	33.40				3.64	
YH2F48TB21S	YPLC100C20MP13C	21.0	XAH/XAHC60G	2	1425	46.00	32.60	15.20	11.70	45.00	30.20	7.80	6.25	3.66	2.70
				1	975	38.50	26.20		22.65	33.40				3.64	
YH2F48TB21S	YPLC120C20MP13C	21.0	XAH/XAHC60G	2	1425	46.00	32.60	15.20	11.70	45.00	30.20	7.80	6.25	3.66	2.70
				1	975	38.50	26.20		22.65	33.40				3.64	
YH2F48TB21S	TM8V100C16MP12C	21.0	XAH/XAHD60G	2	1200	45.50	31.00	15.20	11.70	44.50	29.60	7.80	6.35	3.56	2.66
				1	800	37.40	24.40		21.95	32.60				3.42	
YH2F48TB21S	TMLV100C16MP12C	21.0	XAH/XAHD60G	2	1200	45.50	31.00	15.20	11.70	44.50	29.60	7.80	6.35	3.56	2.66
				1	800	37.40	24.40		21.95	32.60				3.42	
YH2F48TB21S	TPLC080C16MP13C	21.0	XAH/XAHD60G	2	1200	45.50	31.00	15.20	11.70	44.50	29.60	7.80	6.35	3.56	2.66
				1	800	37.40	24.40		21.95	32.60				3.42	
YH2F48TB21S	TPLC100C16MP13C	21.0	XAH/XAHD60G	2	1200	45.50	31.00	15.20	11.70	44.50	29.60	7.80	6.35	3.56	2.66
				1	800	37.40	24.40		21.95	32.60				3.42	
YH2F48TB21S	YPLC080C16MP13C	21.0	XAH/XAHD60G	2	1200	45.50	31.00	15.20	11.70	44.50	29.60	7.80	6.35	3.56	2.66
				1	800	37.40	24.40		21.95	32.60				3.42	

Table 13: Furnace capacity - 4 ton

Outdoor unit model	Furnace model	Furnace width (in.)	Indoor coil model	Stage	Rated CFM	Net cool (MBH)	Sens cool (MBH)	SEER2	EER2	Net47 (MBH)	Net17 (MBH)	HSPF2 IV	HSPF2 V	Cop47	Cop17
YH2F48TB21S	YPLC100C16MP13C	21.0	XAH/XAHD60G	2	1200	45.50	31.00	15.20	11.70	44.50	29.60	7.80	6.35	3.56	2.66
				1	800	37.40	24.40		21.95	32.60				3.42	
YH2F48TB21S	TM8E120C20MP11	21.0	XAF/XAF/XAUC60G	2	1625	45.50	32.60	14.30	10.50	47.50	32.20	8.10	6.15	3.72	2.76
				1	1250	40.50	29.20		22.05	35.00				3.92	
YH2F48TB21S	TMLE120C20MP11	21.0	XAF/XAF/XAUC60G	2	1625	45.50	32.60	14.30	10.50	47.50	32.20	8.10	6.15	3.72	2.76
				1	1250	40.50	29.20		22.05	35.00				3.92	
YH2F48TB21S	TM8E120C16MP11	21.0	XAH/XAHD60G	2	1450	46.00	32.80	15.20	11.00	45.50	30.40	7.50	6.05	3.62	2.66
				1	800	37.60	24.60		22.45	32.60				3.44	
YH2F48TB21S	TMLE120C16MP11	21.0	XAH/XAHD60G	2	1450	46.00	32.80	15.20	11.00	45.50	30.40	7.50	6.05	3.62	2.66
				1	800	37.60	24.60		22.45	32.60				3.44	
YH2F48TB21S	TM8E080C16MP11	21.0	XAH/XAHD60G	2	1450	46.00	32.80	15.20	11.00	45.50	30.40	7.50	6.05	3.60	2.66
				1	825	37.80	25.00		22.50	32.60				3.46	
YH2F48TB21S	TMLE080C16MP11	21.0	XAH/XAHD60G	2	1450	46.00	32.80	15.20	11.00	45.50	30.40	7.50	6.05	3.60	2.66
				1	825	37.80	25.00		22.50	32.60				3.46	
YH2F48TB21S	TM8E080C16MP11	24.5	XAF/XAF/XAUD60G	2	1475	45.00	31.60	14.30	10.50	47.50	32.00	8.10	6.40	3.68	2.76
				1	825	37.20	24.00		21.85	32.60				3.46	
YH2F48TB21S	TMLE080C16MP11	24.5	XAF/XAF/XAUD60G	2	1475	45.00	31.60	14.30	10.50	47.50	32.00	8.10	6.40	3.68	2.76
				1	825	37.20	24.00		21.85	32.60				3.46	
YH2F48TB21S	TM8E080B12MP11	21.0	XAF/XAF/XAUC60G	2	1225	44.00	29.60	14.30	10.50	47.00	31.80	7.80	6.25	3.56	2.72
				1	900	37.60	24.80		21.35	33.20				3.50	
YH2F48TB21S	TMLE080B12MP11	21.0	XAF/XAF/XAUC60G	2	1225	44.00	29.60	14.30	10.50	47.00	31.80	7.80	6.25	3.56	2.72
				1	900	37.60	24.80		21.35	33.20				3.50	
YH2F48TB21S	TL9E080C16UH11	24.5	XAF/XAF/XAUD60G	2	1475	44.50	31.20	14.30	10.50	47.50	32.20	7.80	6.20	3.62	2.72
				1	900	37.80	25.00		21.70	33.00				3.54	
YH2F48TB21S	TL8E100C20UH11	21.0	XAF/XAF/XAUC60G	2	1500	45.00	31.60	15.20	11.00	47.00	31.80	8.10	6.20	3.74	2.80
				1	1050	39.00	26.80		22.35	33.80				3.72	
YH2F48TB21S	TL8E080C16UH11	21.0	XAH/XAHD60G	2	1250	45.50	31.40	15.20	11.70	45.00	29.80	7.80	6.35	3.58	2.66
				1	1025	39.00	27.00		21.55	34.00				3.62	
YH2F48TB21S	TM8Y100C20MP11	24.5	XAH/XAHD60H	2	1350	45.50	32.40	16.00	11.70	44.00	30.40	8.10	5.90	3.82	2.90
				1	1025	39.50	26.80		22.90	31.80				3.62	
YH2F48TB21S	TM8Y100C20MP11	21.0	XAF/XAFC60H	2	1375	45.50	31.60	15.20	11.70	43.50	29.40	8.10	6.55	3.72	2.74
				1	1050	39.00	27.00		22.30	31.80				3.66	
YH2F48TB21S	TM8Y100C16MP11	24.5	XAH/XAHD60H	2	1350	45.50	32.40	16.00	11.70	44.00	30.60	7.80	5.90	3.80	2.86
				1	800	38.00	24.40		23.25	30.80				3.42	
YH2F48TB21S	TM8Y100C20MP11	21.0	XAH/XAHC60G	2	1425	46.50	33.20	16.00	11.70	45.00	30.20	7.80	6.30	3.66	2.70
				1	1025	39.00	27.00		22.85	33.60				3.70	
YH2F48TB21S	TM8Y100C20MP11	24.5	XAF/XAF/XAUD60G	2	1750	45.50	33.00	15.20	10.50	48.00	32.60	8.10	6.25	3.74	2.74
				1	1025	39.00	26.60		22.45	33.60				3.70	
YH2F48TB21S	TM8Y100C20MP11	21.0	XAF/XAF/XAUC60G	2	1725	45.50	33.00	15.20	10.50	48.00	32.60	8.10	6.20	3.72	2.74
				1	1025	39.00	26.60		22.45	33.60				3.70	
YH2F48TB21S	TM8Y100C20MP11	21.0	XAH/XAHC60H	2	1375	45.50	32.40	16.00	11.70	44.00	30.40	8.10	5.95	3.84	2.90
				1	1075	40.00	27.80		23.20	32.00				3.70	
YH2F48TB21S	TM8Y100C20MP11	24.5	XAF/XAF/XAUD60H	2	1350	45.50	31.60	15.20	11.70	43.50	29.40	7.80	6.30	3.70	2.72
				1	1025	39.00	27.00		22.10	31.80				3.62	
YH2F48TB21S	TM8Y100C20MP11	21.0	XAH/XAHD60G	2	1400	46.00	32.40	15.20	11.70	45.00	30.00	7.80	6.30	3.64	2.68
				1	975	38.50	26.20		22.50	33.40				3.62	
YH2F48TB21S	TM8Y100C16MP11	21.0	XAH/XAHC60G	2	1250	45.50	31.40	15.20	11.70	44.50	29.60	7.80	6.30	3.60	2.68
				1	1100	39.50	27.60		21.80	34.20				3.72	
YH2F48TB21S	TM8Y100C16MP11	24.5	XAF/XAF/XAUD60H	2	1350	45.00	31.00	15.20	11.70	43.50	29.40	7.80	6.30	3.66	2.70
				1	1000	39.00	26.80		21.95	31.80				3.58	
YH2F48TB21S	TM8Y100C16MP11	21.0	XAF/XAFC60H	2	1375	45.50	31.60	15.20	11.70	43.50	29.40	7.80	6.35	3.68	2.72
				1	800	37.60	24.80		22.25	30.80				3.42	
YH2F48TB21S	TM8Y080B12MP11	21.0	XAH/XAHC60H	2	1200	45.00	31.20	16.00	11.70	44.00	30.40	7.80	5.90	3.72	2.86
				1	850	38.50	25.20		23.05	31.00				3.46	
YH2F48TB21S	TM8Y100C16MP11	21.0	XAH/XAHD60G	2	1225	45.50	31.20	15.20	11.70	44.50	29.60	7.80	6.35	3.58	2.68
				1	925	38.50	26.00		22.10	33.20				3.54	
YH2F48TB21S	TM8Y100C16MP11	24.5	XAF/XAF/XAUD60G	2	1425	45.00	31.40	15.20	11.00	47.00	32.00	8.10	6.30	3.66	2.76
				1	975	38.50	26.00		21.95	33.40				3.62	
YH2F48TB21S	TM8Y100C16MP11	21.0	XAH/XAHC60H	2	1375	45.50	32.40	16.00	11.70	44.00	30.40	8.10	6.05	3.82	2.88
				1	850	38.50	25.20		23.60	31.00				3.48	

Table 13: Furnace capacity - 4 ton

Outdoor unit model	Furnace model	Furnace width (in.)	Indoor coil model	Stage	Rated CFM	Net cool (MBH)	Sens cool (MBH)	SEER2	EER2	Net47 (MBH)	Net17 (MBH)	HSPF2 IV	HSPF2 V	Cop47	Cop17
YH2F48TB21S	TM8Y100C16MP11	21.0	XAF/XAF/XAUC60G	2	1425	45.00	31.40	15.20	11.00	47.00	32.00	8.10	6.40	3.66	2.76
				1	975	38.50	26.00		22.00	33.40				3.62	

Furnace capacity - 5 ton

Table 14: Furnace capacity - 5 ton

Outdoor unit model	Furnace model	Furnace width (in.)	Indoor coil model	Stage	Rated CFM	Net cool (MBH)	Sens cool (MBH)	SEER2	EER2	Net47 (MBH)	Net17 (MBH)	HSPF2 IV	HSPF2 V	Cop47	Cop17
YH2F60TB21S	TM9Y100C20MP11	24.5	XAH/XAHD60J	2	1550	54.00	37.20	14.30	11.00	58.00	38.00	7.80	6.40	3.44	2.42
				1	1300	48.00	32.60		19.55	40.00				3.44	
YH2F60TB21S	TM9Y100C20MP11	24.5	XAF/XAFD60J	2	1575	54.00	35.80	15.20	11.00	56.00	38.50	8.10	6.60	3.38	2.58
				1	1175	47.50	31.40		20.50	39.00				3.38	
YH2F60TB21S	TM9V100C20MP12C	24.5	XAF/XAFD60J	2	1650	54.50	36.40	15.20	11.00	56.00	38.50	7.80	6.35	3.42	2.58
				1	1050	46.00	29.60		20.60	38.50				3.30	
YH2F60TB21S	TP9C100C20MP13C	24.5	XAF/XAFD60J	2	1650	54.50	36.40	15.20	11.00	56.00	38.50	7.80	6.35	3.42	2.58
				1	1050	46.00	29.60		20.60	38.50				3.30	
YH2F60TB21S	YP9C100C20MP13C	24.5	XAF/XAFD60J	2	1650	54.50	36.40	15.20	11.00	56.00	38.50	7.80	6.35	3.42	2.58
				1	1050	46.00	29.60		20.60	38.50				3.30	
YH2F60TB21S	TM9E100C20MP12	24.5	XAF/XAFD60J	2	1725	55.50	37.60	15.20	11.00	56.50	38.50	8.10	6.45	3.50	2.62
				1	1225	48.00	32.00		21.00	39.50				3.46	
YH2F60TB21S	TM8Y120C20MP11	24.5	XAH/XAHD60J	2	1700	54.50	38.50	15.20	11.00	58.00	38.50	8.10	6.65	3.52	2.46
				1	1350	48.50	33.40		20.15	40.00				3.52	
YH2F60TB21S	TM8E120C20MP11	24.5	XAH/XAHD60J	2	1650	54.50	38.00	15.20	11.00	58.00	38.00	7.80	6.40	3.50	2.46
				1	1275	48.00	32.60		20.45	39.50				3.48	
YH2F60TB21S	TMLE120C20MP11	24.5	XAH/XAHD60J	2	1650	54.50	38.00	15.20	11.00	58.00	38.00	7.80	6.40	3.50	2.46
				1	1275	48.00	32.60		20.45	39.50				3.48	
YH2F60TB21S	TM8E080C20MP11	24.5	XAH/XAHD60J	2	1675	54.50	38.50	15.20	11.00	58.00	38.50	7.80	6.40	3.50	2.46
				1	1250	48.00	32.60		20.55	39.50				3.48	
YH2F60TB21S	TMLE080C20MP11	24.5	XAH/XAHD60J	2	1675	54.50	38.50	15.20	11.00	58.00	38.50	7.80	6.40	3.50	2.46
				1	1250	48.00	32.60		20.55	39.50				3.48	
YH2F60TB21S	TM9Y120D20MP11	24.5	XAH/XAHD60H	2	1675	54.50	38.50	15.20	11.00	58.00	38.50	7.80	6.40	3.48	2.44
				1	975	46.00	29.40		20.80	37.80				3.28	
YH2F60TB21S	TM9Y100C20MP11	21.0	XAH/XAHC60H	2	1600	54.00	37.40	14.30	11.00	58.00	38.50	7.80	6.40	3.46	2.42
				1	1200	47.50	31.80		20.35	39.00				3.42	
YH2F60TB21S	TM9V100C20MP12C	24.5	XAF/XAF/XAUD60H	2	1650	54.50	36.40	14.30	11.00	56.00	38.50	7.80	6.30	3.44	2.60
				1	1050	46.00	29.60		20.40	38.50				3.30	
YH2F60TB21S	TP9C100C20MP13C	24.5	XAF/XAF/XAUD60H	2	1650	54.50	36.40	14.30	11.00	56.00	38.50	7.80	6.30	3.44	2.60
				1	1050	46.00	29.60		20.40	38.50				3.30	
YH2F60TB21S	YP9C100C20MP13C	24.5	XAF/XAF/XAUD60H	2	1650	54.50	36.40	14.30	11.00	56.00	38.50	7.80	6.30	3.44	2.60
				1	1050	46.00	29.60		20.40	38.50				3.30	
YH2F60TB21S	TM9E080C20MP12	21.0	XAF/XAFC60H	2	1625	54.50	36.40	15.20	11.00	56.00	38.00	8.10	6.45	3.44	2.62
				1	1200	47.50	31.60		20.80	39.00				3.44	
YH2F60TB21S	TM8E120C20MP11	24.5	XAF/XAF/XAUD60H	2	1650	54.50	36.40	15.20	11.00	56.00	38.00	8.10	6.45	3.48	2.62
				1	1225	48.00	32.00		20.65	39.50				3.44	
YH2F60TB21S	TMLE120C20MP11	24.5	XAF/XAF/XAUD60H	2	1650	54.50	36.40	15.20	11.00	56.00	38.00	8.10	6.45	3.48	2.62
				1	1225	48.00	32.00		20.65	39.50				3.44	
YH2F60TB21S	TM8E080C20MP11	21.0	XAF/XAFC60H	2	1725	55.00	37.00	15.20	11.00	56.50	38.50	8.10	6.60	3.46	2.58
				1	1275	48.50	32.80		21.10	39.50				3.50	
YH2F60TB21S	TMLE080C20MP11	21.0	XAF/XAFC60H	2	1725	55.00	37.00	15.20	11.00	56.50	38.50	8.10	6.60	3.46	2.58
				1	1275	48.50	32.80		21.10	39.50				3.50	
YH2F60TB21S	TM9V120D20MP12C	24.5	XAH/XAHD60J	2	1750	55.00	39.00	15.20	11.00	58.00	38.00	8.10	6.65	3.60	2.50
				1	1000	46.50	30.00		20.75	38.00				3.28	
YH2F60TB21S	TP9C120D20MP13C	24.5	XAH/XAHD60J	2	1750	55.00	39.00	15.20	11.00	58.00	38.00	8.10	6.65	3.60	2.50
				1	1000	46.50	30.00		20.75	38.00				3.28	
YH2F60TB21S	YP9C120D20MP13C	24.5	XAH/XAHD60J	2	1750	55.00	39.00	15.20	11.00	58.00	38.00	8.10	6.65	3.60	2.50
				1	1000	46.50	30.00		20.75	38.00				3.28	
YH2F60TB21S	TM8E080C20MP11	24.5	XAF/XAFD60J	2	1725	55.00	37.00	15.20	11.00	56.50	38.50	8.10	6.45	3.46	2.60
				1	1275	48.50	32.80		21.10	39.50				3.50	
YH2F60TB21S	TMLE080C20MP11	24.5	XAF/XAFD60J	2	1725	55.00	37.00	15.20	11.00	56.50	38.50	8.10	6.45	3.46	2.60
				1	1275	48.50	32.80		21.10	39.50				3.50	
YH2F60TB21S	TM9Y100C20MP11	24.5	XAH/XAHD60H	2	1550	54.00	37.20	14.30	11.00	58.00	38.00	7.80	6.40	3.42	2.40
				1	1300	48.00	32.60		19.55	40.00				3.44	
YH2F60TB21S	TM9V120D20MP12C	24.5	XAF/XAF/XAUD60H	2	1700	55.00	37.00	15.20	11.00	56.00	38.00	8.10	6.60	3.50	2.62
				1	1025	46.00	29.60		20.70	38.00				3.30	
YH2F60TB21S	TP9C120D20MP13C	24.5	XAF/XAF/XAUD60H	2	1700	55.00	37.00	15.20	11.00	56.00	38.00	8.10	6.60	3.50	2.62
				1	1025	46.00	29.60		20.70	38.00				3.30	

Table 14: Furnace capacity - 5 ton

Outdoor unit model	Furnace model	Furnace width (in.)	Indoor coil model	Stage	Rated CFM	Net cool (MBH)	Sens cool (MBH)	SEER2	EER2	Net47 (MBH)	Net17 (MBH)	HSPF2 IV	HSPF2 V	Cop47	Cop17
YH2F60TB21S	YP9C120D20MP13C	24.5	XAF/XAF/XAUD60H	2	1700	55.00	37.00	15.20	11.00	56.00	38.00	8.10	6.60	3.50	2.62
				1	1025	46.00	29.60		20.70	38.00				3.30	
YH2F60TB21S	TM9E100C20MP12	21.0	XAF/XAFC60H	2	1600	54.50	36.40	15.20	11.00	55.50	38.00	8.10	6.45	3.44	2.62
				1	1175	47.50	31.40		20.75	39.00				3.40	
YH2F60TB21S	TM8Y120C20MP11	24.5	XAF/XAF/XAUD60H	2	1725	55.00	37.00	15.20	11.00	56.50	38.50	8.10	6.60	3.46	2.60
				1	1200	47.50	31.60		20.85	39.00				3.44	
YH2F60TB21S	TM8E130D20MP11	24.5	XAF/XAF/XAUD60H	2	1800	56.00	38.50	15.20	11.70	57.00	38.50	8.10	6.45	3.52	2.60
				1	1275	48.50	32.80		20.95	39.50				3.50	
YH2F60TB21S	TMLE130D20MP11	24.5	XAF/XAF/XAUD60H	2	1800	56.00	38.50	15.20	11.70	57.00	38.50	8.10	6.45	3.52	2.60
				1	1275	48.50	32.80		20.95	39.50				3.50	
YH2F60TB21S	TM8E100C20MP11	24.5	XAH/XAHD60H	2	1700	54.50	38.50	15.20	11.00	58.00	38.50	7.80	6.40	3.50	2.46
				1	1250	48.00	32.60		20.55	39.50				3.48	
YH2F60TB21S	TMLE100C20MP11	24.5	XAH/XAHD60H	2	1700	54.50	38.50	15.20	11.00	58.00	38.50	7.80	6.40	3.50	2.46
				1	1250	48.00	32.60		20.55	39.50				3.48	
YH2F60TB21S	TM8E080C20MP11	24.5	XAH/XAHD60H	2	1625	54.50	38.00	15.20	11.00	58.00	38.00	7.80	6.40	3.52	2.46
				1	1200	47.50	31.80		20.40	39.00				3.42	
YH2F60TB21S	TMLE080C20MP11	24.5	XAH/XAHD60H	2	1625	54.50	38.00	15.20	11.00	58.00	38.00	7.80	6.40	3.52	2.46
				1	1200	47.50	31.80		20.40	39.00				3.42	
YH2F60TB21S	TM9Y120D20MP11	24.5	XAH/XAHD60J	2	1650	54.00	37.80	15.20	11.00	58.00	38.50	7.80	6.40	3.48	2.44
				1	1000	46.50	30.00		20.90	38.00				3.30	
YH2F60TB21S	TM9E100C20MP12	24.5	XAH/XAHD60J	2	1700	55.00	39.00	15.20	11.00	58.00	38.00	8.10	6.65	3.56	2.48
				1	1225	48.00	32.40		20.60	39.50				3.46	
YH2F60TB21S	TM9E080C20MP12	24.5	XAF/XAFD60J	2	1750	55.50	37.60	15.20	11.00	56.50	38.50	8.10	6.45	3.52	2.62
				1	1225	48.00	32.00		20.95	39.50				3.46	
YH2F60TB21S	TM8Y120C20MP11	24.5	XAF/XAFD60J	2	1725	55.00	37.00	15.20	11.00	56.50	38.50	8.10	6.60	3.46	2.60
				1	1225	48.00	32.00		21.00	39.50				3.46	
YH2F60TB21S	TM8E130D20MP11	24.5	XAF/XAFD60J	2	1775	56.00	38.00	15.20	11.70	56.50	38.50	8.10	6.45	3.52	2.62
				1	1275	48.50	32.80		20.95	39.50				3.50	
YH2F60TB21S	TMLE130D20MP11	24.5	XAF/XAFD60J	2	1775	56.00	38.00	15.20	11.70	56.50	38.50	8.10	6.45	3.52	2.62
				1	1275	48.50	32.80		20.95	39.50				3.50	
YH2F60TB21S	TM8E120C20MP11	24.5	XAF/XAFD60J	2	1700	55.00	37.00	15.20	11.00	56.50	38.50	8.10	6.45	3.46	2.60
				1	1300	48.50	32.80		21.00	39.50				3.52	
YH2F60TB21S	TMLE120C20MP11	24.5	XAF/XAFD60J	2	1700	55.00	37.00	15.20	11.00	56.50	38.50	8.10	6.45	3.46	2.60
				1	1300	48.50	32.80		21.00	39.50				3.52	
YH2F60TB21S	TM8E100C20MP11	24.5	XAF/XAFD60J	2	1725	55.00	37.00	15.20	11.00	56.50	38.50	8.10	6.45	3.48	2.60
				1	1250	48.00	32.20		21.00	39.50				3.48	
YH2F60TB21S	TM9Y100C20MP11	21.0	XAF/XAFC60H	2	1575	54.00	35.80	15.20	11.00	56.00	38.50	8.10	6.60	3.38	2.58
				1	1175	47.50	31.40		20.50	39.00				3.40	
YH2F60TB21S	TM9V100C20MP12C	21.0	XAH/XAHC60H	2	1500	54.00	37.00	15.20	11.00	58.00	37.60	7.80	6.50	3.48	2.44
				1	875	45.50	28.60		20.70	37.20				3.20	
YH2F60TB21S	TP9C100C20MP13C	21.0	XAH/XAHC60H	2	1500	54.00	37.00	15.20	11.00	58.00	37.60	7.80	6.50	3.48	2.44
				1	875	45.50	28.60		20.70	37.20				3.20	
YH2F60TB21S	YP9C100C20MP13C	21.0	XAH/XAHC60H	2	1500	54.00	37.00	15.20	11.00	58.00	37.60	7.80	6.50	3.48	2.44
				1	875	45.50	28.60		20.70	37.20				3.20	
YH2F60TB21S	TM9E120D20MP12	24.5	XAF/XAF/XAUD60H	2	1650	54.50	36.40	15.20	11.00	56.50	38.50	8.10	6.60	3.42	2.58
				1	1225	48.00	32.00		20.70	39.50				3.44	
YH2F60TB21S	TM9E080C20MP12	24.5	XAH/XAHD60H	2	1750	55.00	39.00	15.20	11.00	58.00	38.50	8.10	6.65	3.56	2.48
				1	1225	48.00	32.40		20.55	39.50				3.46	
YH2F60TB21S	TM8Y120C20MP11	21.0	XAF/XAFC60H	2	1725	55.00	37.00	15.20	11.00	56.50	38.50	8.10	6.45	3.46	2.60
				1	1350	49.00	33.40		20.65	40.00				3.54	
YH2F60TB21S	TM8E100C20MP11	24.5	XAF/XAF/XAUD60H	2	1625	54.50	36.40	15.20	11.00	56.00	38.00	8.10	6.45	3.44	2.62
				1	1200	47.50	31.60		20.70	39.00				3.42	
YH2F60TB21S	TMLE100C20MP11	24.5	XAF/XAF/XAUD60H	2	1625	54.50	36.40	15.20	11.00	56.00	38.00	8.10	6.45	3.44	2.62
				1	1200	47.50	31.60		20.70	39.00				3.42	
YH2F60TB21S	TM9Y100C20MP11	24.5	XAF/XAF/XAUD60H	2	1575	54.00	35.80	14.30	11.00	56.00	38.50	7.80	6.30	3.38	2.58
				1	1150	47.00	30.80		20.35	39.00				3.36	
YH2F60TB21S	TM9V100C20MP12C	24.5	XAH/XAHD60H	2	1500	54.00	37.00	14.30	11.00	58.00	37.80	7.80	6.50	3.46	2.44
				1	900	45.50	28.60		20.35	37.40				3.20	

Table 14: Furnace capacity - 5 ton

Outdoor unit model	Furnace model	Furnace width (in.)	Indoor coil model	Stage	Rated CFM	Net cool (MBH)	Sens cool (MBH)	SEER2	EER2	Net47 (MBH)	Net17 (MBH)	HSPF2 IV	HSPF2 V	Cop47	Cop17
YH2F60TB21S	TP9C100C20MP13C	24.5	XAH/XAHD60H	2	1500	54.00	37.00	14.30	11.00	58.00	37.80	7.80	6.50	3.46	2.44
				1	900	45.50	28.60		20.35	37.40				3.20	
YH2F60TB21S	YP9C100C20MP13C	24.5	XAH/XAHD60H	2	1500	54.00	37.00	14.30	11.00	58.00	37.80	7.80	6.50	3.46	2.44
				1	900	45.50	28.60		20.35	37.40				3.20	
YH2F60TB21S	TM9E100C20MP12	24.5	XAH/XAHD60H	2	1725	55.00	39.00	15.20	11.00	58.00	38.50	7.80	6.40	3.54	2.48
				1	1200	47.50	31.80		20.50	39.00				3.44	
YH2F60TB21S	TM9E100C20MP12	24.5	XAF/XAF/XAUD60H	2	1725	55.50	37.60	15.20	11.00	56.50	38.50	8.10	6.45	3.46	2.60
				1	1375	49.00	33.60		20.50	40.50				3.54	
YH2F60TB21S	TM8Y120C20MP11	21.0	XAH/XAHC60H	2	1725	54.50	38.50	15.20	11.00	58.00	38.50	8.10	6.65	3.52	2.46
				1	1250	48.00	32.60		20.75	39.50				3.50	
YH2F60TB21S	TM8V120C20MP12C	21.0	XAH/XAHC60H	2	1775	54.50	39.00	15.20	11.00	58.00	38.50	8.10	6.50	3.56	2.48
				1	1225	48.00	32.40		20.65	39.00				3.48	
YH2F60TB21S	TM8V100C20MP12C	21.0	XAH/XAHC60H	2	1775	54.50	39.00	15.20	11.00	58.00	38.50	8.10	6.50	3.56	2.48
				1	1225	48.00	32.40		20.65	39.00				3.48	
YH2F60TB21S	TMLV120C20MP12C	21.0	XAH/XAHC60H	2	1775	54.50	39.00	15.20	11.00	58.00	38.50	8.10	6.50	3.56	2.48
				1	1225	48.00	32.40		20.65	39.00				3.48	
YH2F60TB21S	TPLC100C20MP13C	21.0	XAH/XAHC60H	2	1775	54.50	39.00	15.20	11.00	58.00	38.50	8.10	6.50	3.56	2.48
				1	1225	48.00	32.40		20.65	39.00				3.48	
YH2F60TB21S	TPLC120C20MP13C	21.0	XAH/XAHC60H	2	1775	54.50	39.00	15.20	11.00	58.00	38.50	8.10	6.50	3.56	2.48
				1	1225	48.00	32.40		20.65	39.00				3.48	
YH2F60TB21S	YPLC100C20MP13C	21.0	XAH/XAHC60H	2	1775	54.50	39.00	15.20	11.00	58.00	38.50	8.10	6.50	3.56	2.48
				1	1225	48.00	32.40		20.65	39.00				3.48	
YH2F60TB21S	YPLC120C20MP13C	21.0	XAH/XAHC60H	2	1775	54.50	39.00	15.20	11.00	58.00	38.50	8.10	6.50	3.56	2.48
				1	1225	48.00	32.40		20.65	39.00				3.48	
YH2F60TB21S	TM8E130D20MP11	24.5	XAH/XAHD60H	2	1775	55.00	39.50	15.20	11.00	58.00	38.50	8.10	6.65	3.56	2.48
				1	1275	48.00	32.60		20.50	39.50				3.50	
YH2F60TB21S	TMLE130D20MP11	24.5	XAH/XAHD60H	2	1775	55.00	39.50	15.20	11.00	58.00	38.50	8.10	6.65	3.56	2.48
				1	1275	48.00	32.60		20.50	39.50				3.50	
YH2F60TB21S	TM8E100C20MP11	21.0	XAF/XAFC60H	2	1625	54.50	36.40	15.20	11.00	56.00	38.00	8.10	6.45	3.44	2.62
				1	1225	48.00	32.00		20.85	39.50				3.46	
YH2F60TB21S	TMLE100C20MP11	21.0	XAF/XAFC60H	2	1625	54.50	36.40	15.20	11.00	56.00	38.00	8.10	6.45	3.44	2.62
				1	1225	48.00	32.00		20.85	39.50				3.46	
YH2F60TB21S	TL8E100C20UH11	21.0	XAH/XAHC60H	2	1500	54.00	37.00	15.20	11.70	58.00	37.40	7.80	6.40	3.50	2.46
				1	1075	47.00	30.80		20.90	38.50				3.36	
YH2F60TB21S	TM9V100C20MP12C	24.5	XAH/XAHD60J	2	1625	54.00	37.60	15.20	11.00	58.00	38.50	7.80	6.45	3.48	2.44
				1	975	46.00	29.40		20.45	38.00				3.24	
YH2F60TB21S	TP9C100C20MP13C	24.5	XAH/XAHD60J	2	1625	54.00	37.60	15.20	11.00	58.00	38.50	7.80	6.45	3.48	2.44
				1	975	46.00	29.40		20.45	38.00				3.24	
YH2F60TB21S	YP9C100C20MP13C	24.5	XAH/XAHD60J	2	1625	54.00	37.60	15.20	11.00	58.00	38.50	7.80	6.45	3.48	2.44
				1	975	46.00	29.40		20.45	38.00				3.24	
YH2F60TB21S	TM9E120D20MP12	24.5	XAH/XAHD60J	2	1600	54.00	37.40	15.20	11.00	58.00	38.00	7.80	6.40	3.48	2.44
				1	1225	47.50	32.00		20.35	39.50				3.44	
YH2F60TB21S	TM9E080C20MP12	24.5	XAH/XAHD60J	2	1700	55.00	39.00	15.20	11.00	58.00	38.00	8.10	6.65	3.56	2.48
				1	1225	48.00	32.40		20.50	39.50				3.46	
YH2F60TB21S	TM8E130D20MP11	24.5	XAH/XAHD60J	2	1750	55.00	39.00	15.20	11.00	58.00	38.00	8.10	6.50	3.60	2.50
				1	1275	48.00	32.60		20.50	39.50				3.50	
YH2F60TB21S	TMLE130D20MP11	24.5	XAH/XAHD60J	2	1750	55.00	39.00	15.20	11.00	58.00	38.00	8.10	6.50	3.60	2.50
				1	1275	48.00	32.60		20.50	39.50				3.50	
YH2F60TB21S	TM8E100C20MP11	24.5	XAH/XAHD60J	2	1675	54.50	38.50	15.20	11.00	58.00	38.50	7.80	6.40	3.52	2.46
				1	1250	48.00	32.60		20.55	39.50				3.48	
YH2F60TB21S	TMLE100C20MP11	24.5	XAH/XAHD60J	2	1675	54.50	38.50	15.20	11.00	58.00	38.50	7.80	6.40	3.52	2.46
				1	1250	48.00	32.60		20.55	39.50				3.48	
YH2F60TB21S	TM9V100C20MP12C	21.0	XAF/XAFC60H	2	1650	54.50	36.40	14.30	11.00	56.00	38.50	7.80	6.30	3.44	2.60
				1	1050	46.00	29.60		20.55	38.50				3.32	
YH2F60TB21S	TP9C100C20MP13C	21.0	XAF/XAFC60H	2	1650	54.50	36.40	14.30	11.00	56.00	38.50	7.80	6.30	3.44	2.60
				1	1050	46.00	29.60		20.55	38.50				3.32	
YH2F60TB21S	YP9C100C20MP13C	21.0	XAF/XAFC60H	2	1650	54.50	36.40	14.30	11.00	56.00	38.50	7.80	6.30	3.44	2.60
				1	1050	46.00	29.60		20.55	38.50				3.32	
YH2F60TB21S	TM9E120D20MP12	24.5	XAH/XAHD60H	2	1600	54.00	37.40	14.30	11.00	58.00	38.00	7.80	6.40	3.48	2.44
				1	1200	47.50	31.80		20.30	39.00				3.42	

Table 14: Furnace capacity - 5 ton

Outdoor unit model	Furnace model	Furnace width (in.)	Indoor coil model	Stage	Rated CFM	Net cool (MBH)	Sens cool (MBH)	SEER2	EER2	Net47 (MBH)	Net17 (MBH)	HSPF2 IV	HSPF2 V	Cop47	Cop17
YH2F60TB21S	TM9E080C20MP12	21.0	XAH/XAHC60H	2	1750	55.00	39.00	15.20	11.00	58.00	38.50	8.10	6.65	3.54	2.48
				1	1250	48.00	32.60		20.70	39.50				3.50	
YH2F60TB21S	TM8E120C20MP11	24.5	XAH/XAHD60H	2	1675	54.50	38.50	15.20	11.00	58.00	38.50	7.80	6.40	3.50	2.44
				1	1275	48.00	32.60		20.45	39.50				3.50	
YH2F60TB21S	TMLE120C20MP11	24.5	XAH/XAHD60H	2	1675	54.50	38.50	15.20	11.00	58.00	38.50	7.80	6.40	3.50	2.44
				1	1275	48.00	32.60		20.45	39.50				3.50	
YH2F60TB21S	TM8E100C20MP11	21.0	XAH/XAHC60H	2	1725	54.50	38.50	15.20	11.00	58.00	38.50	8.10	6.65	3.52	2.46
				1	1275	48.00	32.60		20.70	39.50				3.52	
YH2F60TB21S	TMLE100C20MP11	21.0	XAH/XAHC60H	2	1725	54.50	38.50	15.20	11.00	58.00	38.50	8.10	6.65	3.52	2.46
				1	1275	48.00	32.60		20.70	39.50				3.52	
YH2F60TB21S	TM8E080C20MP11	21.0	XAH/XAHC60H	2	1725	54.50	38.50	15.20	11.00	58.00	38.50	8.10	6.65	3.52	2.46
				1	1275	48.00	32.60		20.70	39.50				3.52	
YH2F60TB21S	TMLE080C20MP11	21.0	XAH/XAHC60H	2	1725	54.50	38.50	15.20	11.00	58.00	38.50	8.10	6.65	3.52	2.46
				1	1275	48.00	32.60		20.70	39.50				3.52	
YH2F60TB21S	TL8E100C20UH11	21.0	XAF/XAFC60H	2	1500	54.00	35.60	15.20	11.70	55.00	37.80	8.10	6.50	3.44	2.64
				1	1200	47.50	31.60		20.70	39.00				3.42	
YH2F60TB21S	TM9Y120D20MP11	24.5	XAF/XAFD6J	2	1675	54.50	36.40	15.20	11.00	56.50	38.50	8.10	6.60	3.44	2.58
				1	1225	48.00	32.00		20.85	39.50				3.44	
YH2F60TB21S	TM9V120D20MP12C	24.5	XAF/XAFD6J	2	1675	55.00	37.00	15.20	11.70	56.00	38.00	8.10	6.60	3.50	2.64
				1	1000	46.00	29.40		20.90	38.00				3.28	
YH2F60TB21S	TP9C120D20MP13C	24.5	XAF/XAFD6J	2	1675	55.00	37.00	15.20	11.70	56.00	38.00	8.10	6.60	3.50	2.64
				1	1000	46.00	29.40		20.90	38.00				3.28	
YH2F60TB21S	YP9C120D20MP13C	24.5	XAF/XAFD6J	2	1675	55.00	37.00	15.20	11.70	56.00	38.00	8.10	6.60	3.50	2.64
				1	1000	46.00	29.40		20.90	38.00				3.28	
YH2F60TB21S	TM9E120D20MP12	24.5	XAF/XAFD6J	2	1650	54.50	36.40	15.20	11.00	56.00	38.50	8.10	6.60	3.44	2.60
				1	1250	48.00	32.20		20.85	39.50				3.46	
YH2F60TB21S	TL8E100C20UH11	24.5	XAF/XAFD6J	2	1500	54.00	35.60	15.20	11.70	55.00	37.80	8.10	6.50	3.44	2.64
				1	1200	47.50	31.60		20.70	39.00				3.42	
YH2F60TB21S	TM9Y120D20MP11	24.5	XAF/XAF/XAUD60H	2	1675	54.50	36.40	15.20	11.00	56.50	38.50	8.10	6.60	3.42	2.58
				1	1225	48.00	32.00		20.80	39.50				3.46	
YH2F60TB21S	TM9V120D20MP12C	24.5	XAH/XAHD60H	2	1675	54.50	38.50	15.20	11.00	58.00	38.00	7.80	6.40	3.56	2.50
				1	1000	46.00	29.60		20.65	38.00				3.30	
YH2F60TB21S	TP9C120D20MP13C	24.5	XAH/XAHD60H	2	1675	54.50	38.50	15.20	11.00	58.00	38.00	7.80	6.40	3.56	2.50
				1	1000	46.00	29.60		20.65	38.00				3.30	
YH2F60TB21S	YP9C120D20MP13C	24.5	XAH/XAHD60H	2	1675	54.50	38.50	15.20	11.00	58.00	38.00	7.80	6.40	3.56	2.50
				1	1000	46.00	29.60		20.65	38.00				3.30	
YH2F60TB21S	TM9E100C20MP12	21.0	XAH/XAHC60H	2	1725	55.00	39.00	15.20	11.00	58.00	38.50	8.10	6.65	3.52	2.46
				1	1250	48.00	32.60		20.75	39.50				3.50	
YH2F60TB21S	TM9E080C20MP12	24.5	XAF/XAF/XAUD60H	2	1750	55.50	37.60	15.20	11.00	56.50	38.50	8.10	6.60	3.48	2.60
				1	1225	48.00	32.00		20.90	39.50				3.46	
YH2F60TB21S	TM8Y120C20MP11	24.5	XAH/XAHD60H	2	1725	54.50	38.50	15.20	11.00	58.00	38.50	8.10	6.65	3.52	2.46
				1	1225	48.00	32.40		20.60	39.00				3.46	
YH2F60TB21S	TM8E120C20MP11	21.0	XAH/XAHC60H	2	1650	54.50	38.00	15.20	11.00	58.00	38.00	8.10	6.65	3.54	2.48
				1	1275	48.00	32.60		20.50	39.50				3.50	
YH2F60TB21S	TMLE120C20MP11	21.0	XAH/XAHC60H	2	1650	54.50	38.00	15.20	11.00	58.00	38.00	8.10	6.65	3.54	2.48
				1	1275	48.00	32.60		20.50	39.50				3.50	
YH2F60TB21S	TM8E120C20MP11	21.0	XAF/XAFC60H	2	1650	54.50	36.40	15.20	11.00	56.00	38.00	8.10	6.45	3.48	2.62
				1	1250	48.00	32.20		20.80	39.50				3.46	
YH2F60TB21S	TMLE120C20MP11	21.0	XAF/XAFC60H	2	1650	54.50	36.40	15.20	11.00	56.00	38.00	8.10	6.45	3.48	2.62
				1	1250	48.00	32.20		20.80	39.50				3.46	
YH2F60TB21S	TM8E080C20MP11	24.5	XAF/XAF/XAUD60H	2	1625	54.50	36.40	15.20	11.00	56.00	38.00	8.10	6.45	3.46	2.62
				1	1200	47.50	31.60		20.70	39.00				3.42	
YH2F60TB21S	TMLE080C20MP11	24.5	XAF/XAF/XAUD60H	2	1625	54.50	36.40	15.20	11.00	56.00	38.00	8.10	6.45	3.46	2.62
				1	1200	47.50	31.60		20.70	39.00				3.42	
YH2F60TB21S	TL9E100C20UH11	21.0	XAH/XAHC60H	2	1500	54.00	37.00	15.20	11.00	58.00	37.60	7.80	6.40	3.48	2.44
				1	1125	47.00	31.00		20.65	38.50				3.38	
YH2F60TB21S	TM8Y100C20MP11	24.5	XAH/XAHD60J	2	1700	54.50	38.50	15.20	11.00	58.00	38.50	8.10	6.65	3.52	2.46
				1	1350	48.50	33.40		20.15	40.00				3.52	
YH2F60TB21S	TM8Y100C20MP11	24.5	XAF/XAF/XAUD60H	2	1725	55.00	37.00	15.20	11.00	56.50	38.50	8.10	6.60	3.46	2.60
				1	1200	47.50	31.60		20.85	39.00				3.44	

Table 14: Furnace capacity - 5 ton

Outdoor unit model	Furnace model	Furnace width (in.)	Indoor coil model	Stage	Rated CFM	Net cool (MBH)	Sens cool (MBH)	SEER2	EER2	Net47 (MBH)	Net17 (MBH)	HSPF2 IV	HSPF2 V	Cop47	Cop17
YH2F60TB21S	TM8Y100C20MP11	24.5	XAF/XAFD60J	2	1725	55.00	37.00	15.20	11.00	56.50	38.50	8.10	6.60	3.46	2.60
				1	1225	48.00	32.00		21.00	39.50				3.46	
YH2F60TB21S	TM8Y100C20MP11	21.0	XAF/XAFC60H	2	1725	55.00	37.00	15.20	11.00	56.50	38.50	8.10	6.45	3.46	2.60
				1	1350	49.00	33.40		20.65	40.00				3.54	
YH2F60TB21S	TM8Y100C20MP11	21.0	XAH/XAHC60H	2	1725	54.50	38.50	15.20	11.00	58.00	38.50	8.10	6.65	3.52	2.46
				1	1250	48.00	32.60		20.75	39.50				3.50	
YH2F60TB21S	TM8Y100C20MP11	24.5	XAH/XAHD60H	2	1725	54.50	38.50	15.20	11.00	58.00	38.50	8.10	6.65	3.52	2.46
				1	1225	48.00	32.40		20.60	39.00				3.46	

Furnace capacity data notes

- For rated condition information, see [Air handler capacity data notes](#).
- High-efficiency motor furnaces have blower off delay (BOD) standard.

Applications and accessories

Refer to the *Price Manual* for specific model numbers.

Standard application limits*		
Maximum refrigeration piping equivalent length		80 ft
Outdoor ambient temperature limits		
Cooling operation	Maximum DB	125°F
	Minimum DB	55°F
Heating operation	Maximum DB	75°F
	Minimum DB	0°F

Note: *For applications such as low ambient, reduced refrigeration piping, or long refrigeration piping, see the accessories listed in the following section.

Standard Low Ambient Control Kit S1-2LA06700424: Allows the use of air conditioning at low outdoor ambient temperatures down to 20°F (-7°C). For use with all R-410A single stage AC and HP models.

Start Assist Kit S1-2SA067**:** Provides increased compressor starting torque for areas with low supply voltage. Required for units with recip compressors when applied with indoor TXV, and for all units when applied with long refrigeration piping or low ambient kits. May be factory installed on select AC and HP units (see Table 1). See *Price Pages* or *Source1 SmartSearch* for the correct kit for each application.

Indoor TXV Kit S1-1TVM*:** Thermal expansion valves precisely meter refrigerant for optimum performance over a wide range of conditions. See Table 3, *Price Pages*, or *Source1 Smart Search* for TXV part number for each AC and HP model.

Cold Weather Charging Tent S1-CHGTENT01: Provides warm environment to accurately service AC and HP systems in ambient conditions 55°F (13°C) or colder.

Touch-up Paint S1-5130153**:** Color-matched aerosol paint for touching up unit chassis and panels. See *Price Pages* or *Source1 SmartSearch* for the correct color for each application.

Compressor Sound Blanket S1-010-07xxx-000: A field-installed dense foam cover that provides 2dBA sound level reduction. See *Price Pages* or *Source1 SmartSearch* for the correct blanket for each application.

Thermostat: Compatible thermostat controls are available through accessory sourcing. For optimum performance, these outdoor units are fully compatible with our residential Hx™ Touch Screen Thermostat available through Source1. For more information, see the thermostat section of the *Product Equipment Catalog*.

Sound power ratings - cooling

Table 15: Sound power ratings - stage 2 - high cooling

Cooling Model number	Octave band sound power level (db re. 1-pW)									
	63	125	250	500	1000	2000	4000	8000	dBA	SQI
YH2F18SB21S	70	67	63	68	63	61	56	50	69	19.1
YH2F24TB21S	70	69	63	63	62	60	54	52	67	19.2
YH2F30TB21S	62	64	60	62	63	57	52	50	66	19.2
YH2F36TB21S	65	68	66	68	67	62	57	55	71	19.2
YH2F42TB21S	71	72	67	69	66	61	58	57	71	19.1
YH2F48TB21S	68	74	66	68	66	61	58	58	71	19.2
YH2F60TB21S	72	69	67	71	69	65	62	64	74	19.1

Note: Rated in accordance with AHRI Standard 270.

Table 16: Sound power ratings - stage 1 - low cooling

Cooling	Octave band sound power level (db re. 1-pW)									
Model number	63	125	250	500	1000	2000	4000	8000	dBA	SQI
YH2F18SB21S	—	—	—	—	—	—	—	—	—	—
YH2F24TB21S	71	69	63	64	65	59	54	53	68	19.0
YH2F30TB21S	65	65	60	60	61	55	52	50	64	19.1
YH2F36TB21S	68	69	67	66	64	61	56	55	69	19.1
YH2F42TB21S	70	72	67	69	66	62	57	52	71	19.1
YH2F48TB21S	68	74	67	72	70	62	59	56	73	19.2
YH2F60TB21S	72	69	69	70	69	65	63	60	73	19.1

Note: Rated in accordance with AHRI Standard 270.

Sound power ratings - heating

Table 17: Sound power ratings - stage 2 - high heating

Heating	Octave band sound power level (db re. 1-pW)									
Model number	63	125	250	500	1000	2000	4000	8000	dBA	SQI
YH2F18SB21S	70	65	61	70	64	63	58	55	70	19.1
YH2F24TB21S	76	68	66	65	63	60	55	55	68	19.0
YH2F30TB21S	63	62	61	64	64	59	52	52	67	19.1
YH2F36TB21S	64	70	68	70	68	63	58	56	72	19.1
YH2F42TB21S	71	72	68	69	67	62	60	58	72	19.0
YH2F48TB21S	67	76	68	69	67	62	60	58	71	19.2
YH2F60TB21S	72	72	69	71	71	66	64	65	75	19.1

Table 18: Sound power ratings - stage 1 - low heating

Heating	Octave band sound power level (db re. 1-pW)									
Model number	63	125	250	500	1000	2000	4000	8000	dBA	SQI
YH2F18SB21S	—	—	—	—	—	—	—	—	—	—
YH2F24TB21S	73	68	64	66	65	62	56	55	69	19.0
YH2F30TB21S	63	61	60	62	63	58	52	53	66	19.2
YH2F36TB21S	66	70	69	70	66	61	57	57	71	19.2
YH2F42TB21S	71	74	68	69	66	62	58	54	71	19.0
YH2F48TB21S	66	75	69	73	72	64	59	56	75	19.1
YH2F60TB21S	72	72	70	71	69	64	63	60	73	19.1

Note: Rated in accordance with AHRI Standard 270.

Mechanical specifications

Manufacture and certifications

- Units shall be manufactured in an ISO 9001 certified facility.
- Units shall be certified by CSA to 4th Edition of UL 1995 / CSA 22.2 and performance certified to ANSI/AHRI Standard 210/240.
- Units shall be sound tested according to ANSI/AHRI Standard 270.
- Certified matched system ratings will be available for download from the AHRI online directory at <http://www.ahridirectory.org>.

Unit application

- Units shall be approved for cooling operation between 55°F and 125°F without modification.
- Units shall be approved for heating operation between 0°F and 75°F without modification.
- Units shall be approved for refrigeration piping up to 80 ft equivalent length without modification.
- Units shall be approved for installation within 6 in. of a flat vertical wall without modification, according to the instructions in the technical literature.
- Units shall be certified to the 5th Edition (2014) of the Florida Building Code for both ground-mounted and rooftop-mounted applications up to 200 ft above grade with approved mounting kit.

Unit access

- Units shall have a removable fan guard that can be removed independently of the top for interior access through the top of the unit without damaging the coil.
- Units shall have two removable stamped steel coil guards for exterior coil access.
- Units shall have a separate compartment for electrical controls that can be accessed without disturbing the unit airflow.
- Units shall have a blockoff panel that can be removed to provide interior unit access through the side of the unit.
- Units shall have a removable blockoff panel and a swing open removable electrical panel that provides sufficient interior unit access for removing the compressor through the side of the unit.

Unit construction

- Units shall be shipped completely wired, piped and assembled. Wiring pigtails shall be provided for field control wiring connections. Service valves shall be provided for field refrigerant line connections.
- Units shall be factory leak checked, run tested, and shipped with a holding charge of R-410A refrigerant.
- Unit cabinet components shall be G90 equivalent steel finished with powder-coat paint rated at a minimum of 500 h under ASTM B117 testing.
- Unit base pan shall be stamped G90 equivalent steel finished with powder-coat paint rated at a minimum of 500 h under ASTM B117 testing.
- Units shall have a single corner post opposite the electrical control box and two independently removable steel coil guard panels to optimize cabinet strength and serviceability.

- Units shall have L-shaped stamped sheet metal coil guards with interior facing extrusions for superior panel stiffness and durability from hail and other mechanical impacts.
- Units shall come with a stainless steel liquid line filter-drier that is shipped loose for installation in the field.
- Unit base valves shall be mounted diagonally on the unit base pan with service ports that provide sufficient clearance for low-loss hose fittings.
- Units shall provide a service port mounted in the base pan such that panels can be removed without moving the service port.
- Units shall be constructed with a high pressure switch and a low pressure switch for system protection.
- Units shall be constructed with all badging and labels applied at the factory.

Unit components

- Compressor shall be hermetic with internal electrical overload protection and internal overpressure protection.
- Compressor shall be mounted on neoprene vibration isolators that do not require the removal of transportation clips or brackets.
- Outdoor fan shall be direct drive with vertical air discharge for low sound levels.
- Outdoor fan motor shall be totally enclosed with permanently lubricated ball bearings motors approved for vertical shaft applications.
- Outdoor coil shall be air cooled and constructed of enhanced aluminum fins mechanically bonded to internally enhanced Ø 7mm copper tubing.

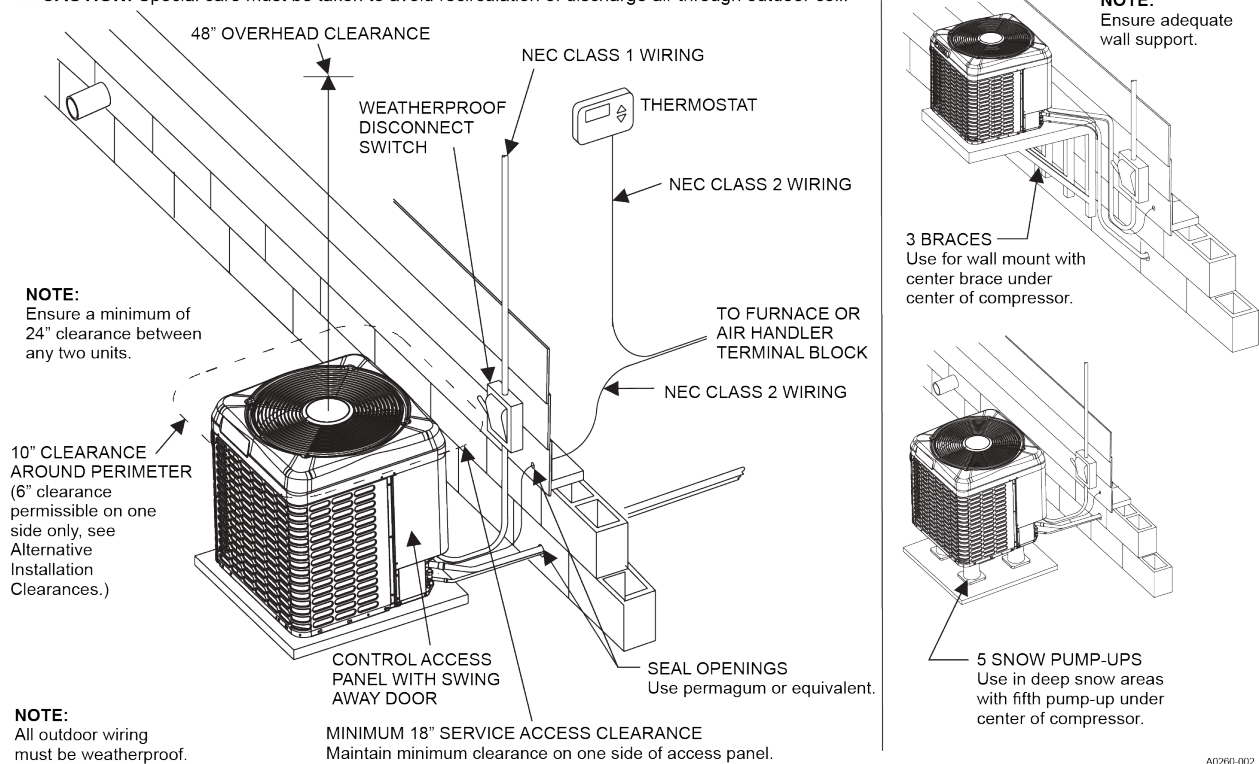
Unit warranties

- Unit manufacturer shall provide a limited 10-year compressor warranty without a requirement for unit registration.
- Unit manufacturer shall provide a limited 5-year parts warranty extended to 10 years with registration.

Typical installation

Figure 1: Typical installation

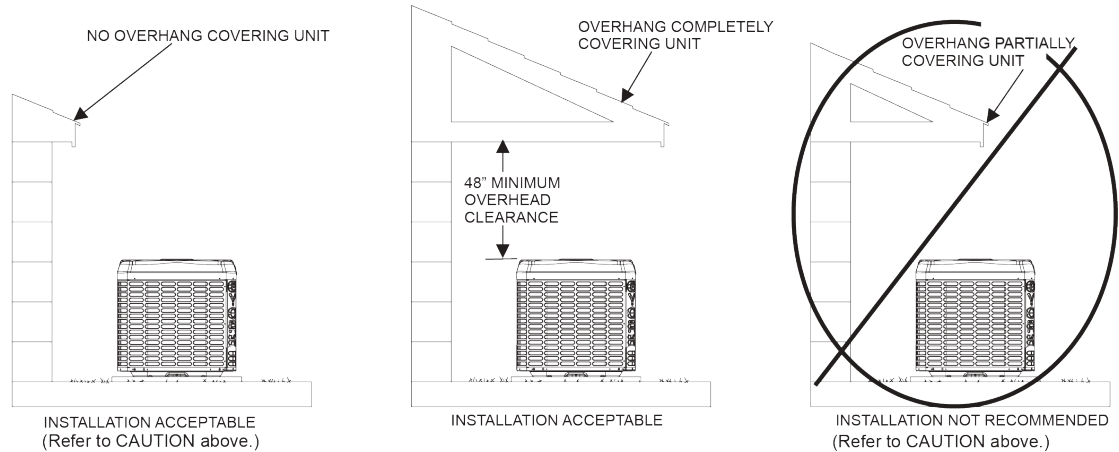
▲ CAUTION: Special care must be taken to avoid recirculation of discharge air through outdoor coil.



▲ CAUTION

Care must be taken to prevent ice from damaging the unit. Damage may occur from ice falling onto unit from a sloped roof or from a vertical drip line due to a partial overhang.

Figure 2: Overhang positioning



NOTE:
The unit must be installed on a solid base above the grade. The base must not be able to settle or shift causing strain on refrigerant lines and possible leaks.

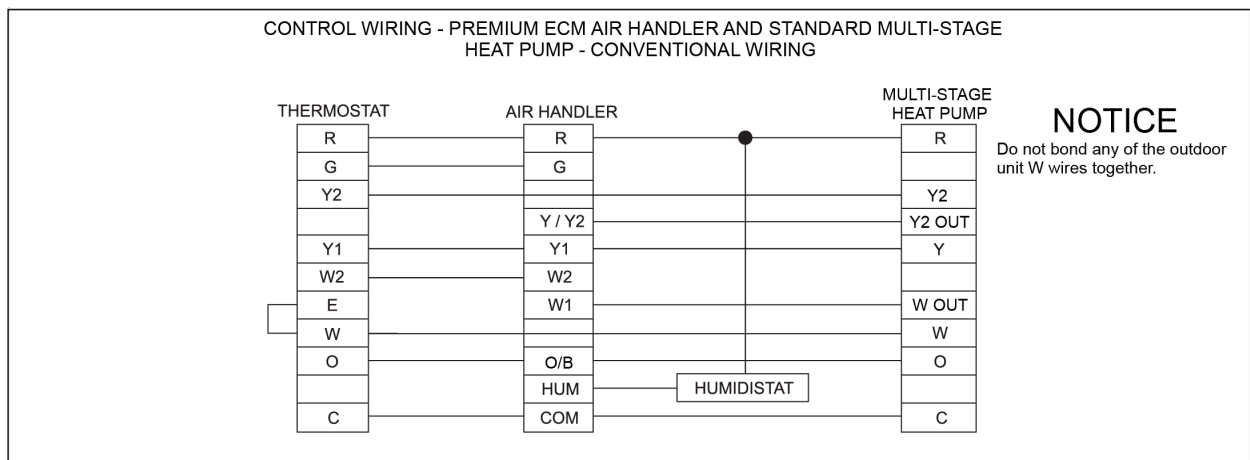
NOTE:
Install unit on flat surface. If installation surface is sloped, ensure that unit slopes away from house structure at 1/4" per foot.

▲ CAUTION: Special care must be taken to avoid recirculation of discharge air through outdoor coil.

A0291-001

Typical field wiring

Figure 3: Standard MS HP - Premium ECM AHU



A1748-001

Figure 4: Standard MS HP - Premium ECM Gas Furnace

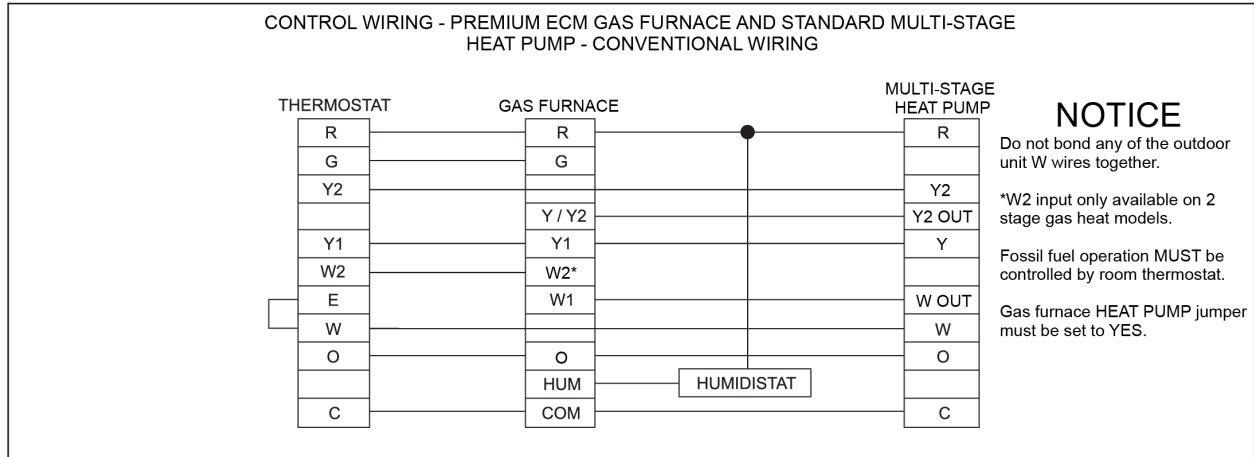


Figure 5: Standard MS HP - Standard ECM AHU

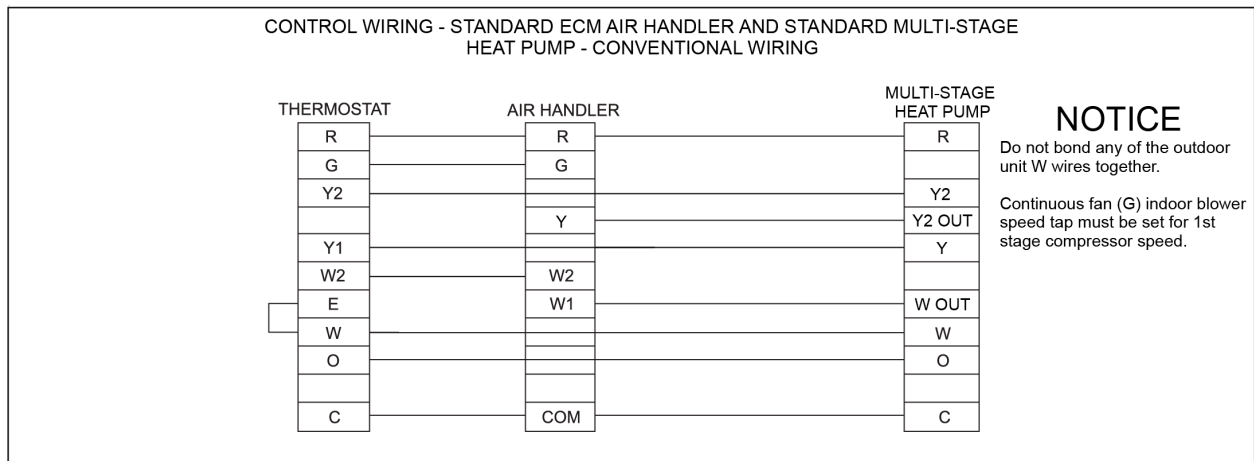


Figure 6: Standard MS HP - Standard ECM Gas Furnace

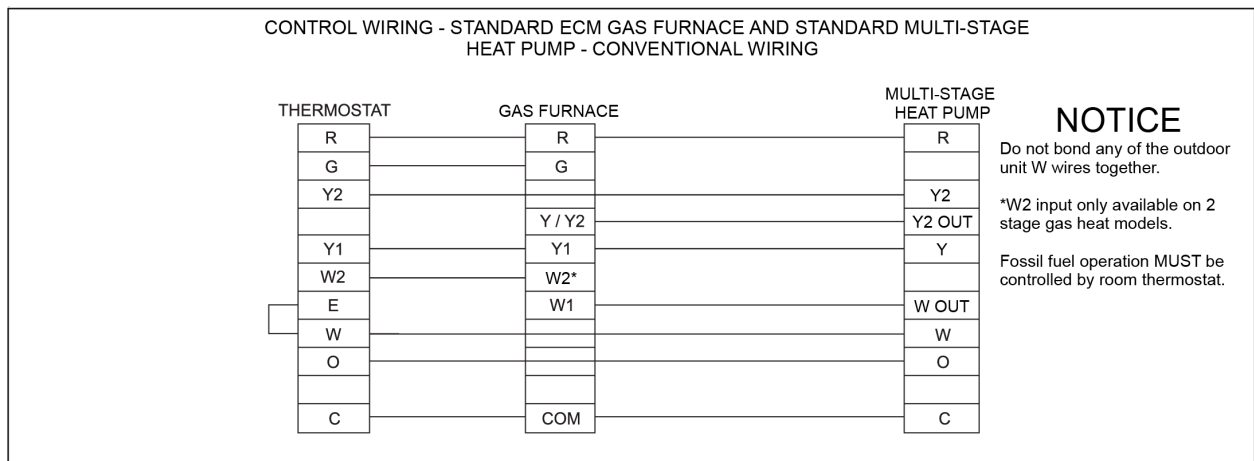


Figure 7: Standard SS HP - Premium ECM AHU

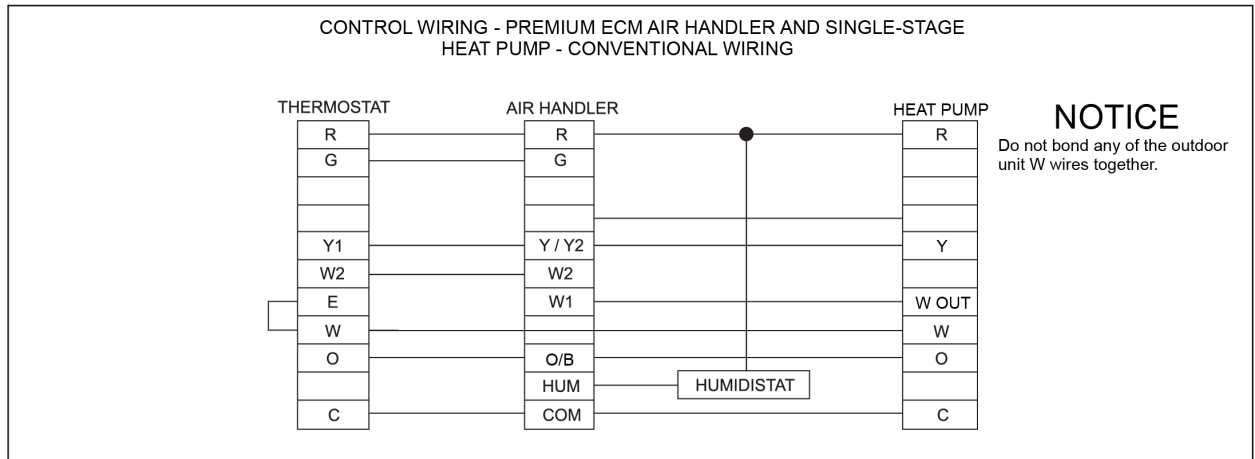


Figure 8: Standard SS HP - Premium ECM Gas Furnace

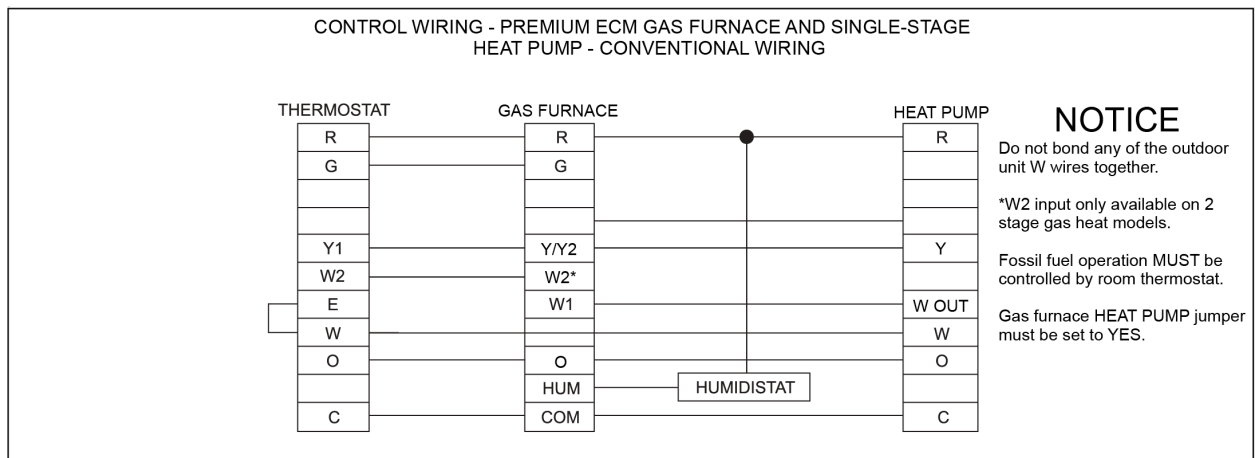


Figure 9: Standard SS HP - Standard ECM AHU

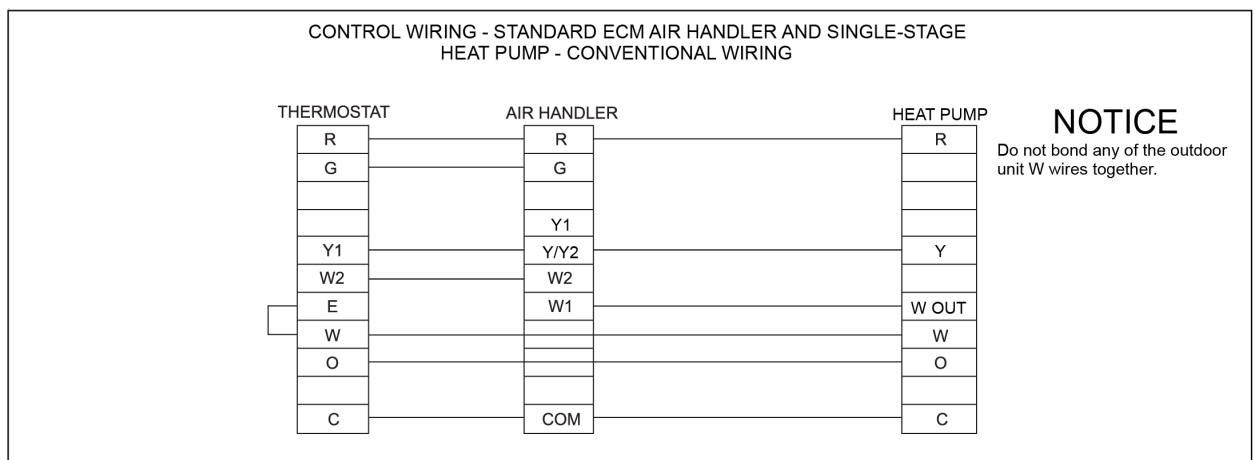
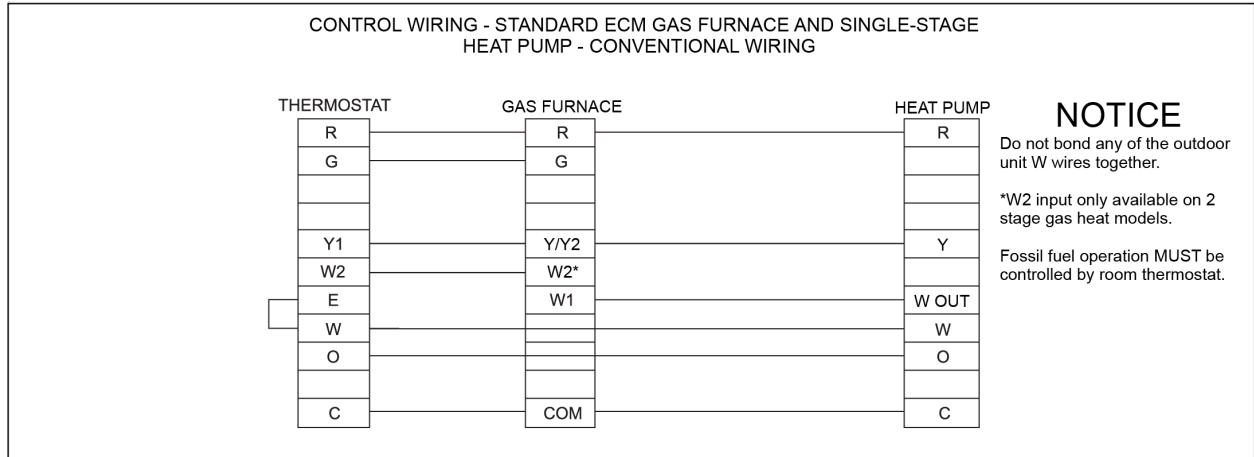


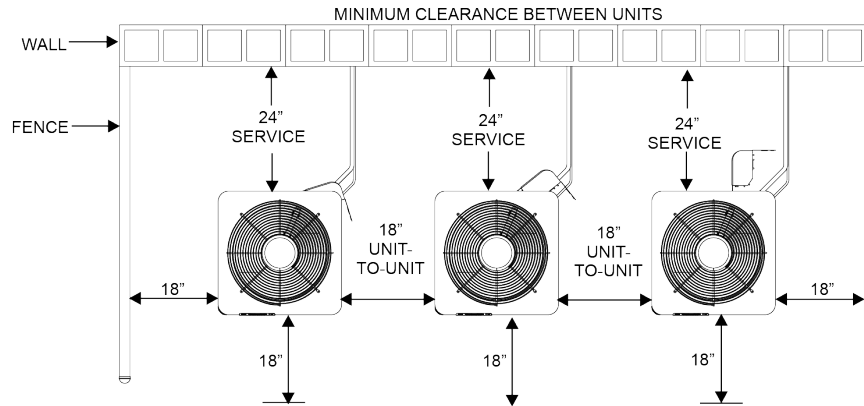
Figure 10: Standard SS HP - Standard ECM Gas Furnace



A1755-001

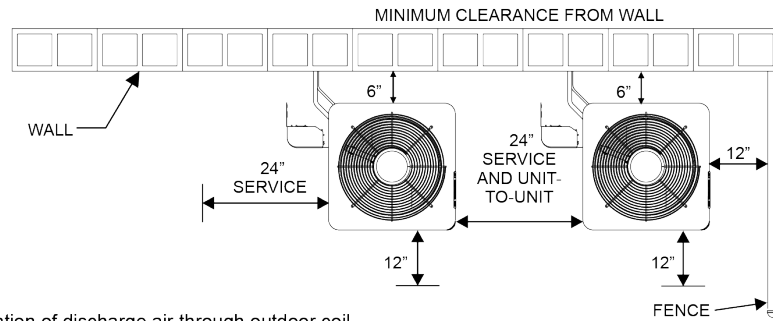
Alternative installation clearances

Figure 11: Alternative installation clearances



NOTE:
Clearance between two units may be reduced to 18" minimum provided the service access clearance is increased to 24" minimum, and the clearance on each remaining side is maintained at 18" minimum.

NOTE:
Clearance to one side of the unit may be reduced to 6" provided the clearance to each remaining side is increased to 12" minimum, the service access is increased to 24" minimum, and the clearances between any two units is maintained at 24" minimum.



CAUTION:
Special care must be taken to avoid recirculation of discharge air through outdoor coil.

A0287-001

Performance data - 1.5 ton

Condenser only performance data - 1.5 ton

Table 19: Condenser only performance data - 1.5 ton

Saturated suction at compressor		Outdoor temperature															
Temperature	Pressure	55°F		65°F		75°F		85°F		95°F		105°F		115°F		125°F	
(°F)	(psig)	MBH	kW	MBH	kW	MBH	kW	MBH	kW	MBH	kW	MBH	kW	MBH	kW	MBH	kW
35	107	15.8	0.47	15.0	0.66	14.2	0.84	13.5	1.03	12.7	1.22	11.9	1.40	11.1	1.59	10.3	1.78
40	118	17.9	0.51	17.0	0.68	16.1	0.86	15.2	1.03	14.2	1.21	13.3	1.38	12.4	1.56	11.4	1.73
45	130	20.1	0.55	19.0	0.71	17.9	0.87	16.9	1.03	15.8	1.20	14.7	1.36	13.6	1.52	12.6	1.68
50	143	22.2	0.58	21.0	0.73	19.8	0.89	18.6	1.04	17.3	1.19	16.1	1.34	14.9	1.49	13.7	1.64
55	156	24.3	0.62	23.0	0.76	21.6	0.90	20.3	1.04	18.9	1.17	17.5	1.31	16.2	1.45	14.8	1.59
60	170	26.5	0.66	25.0	0.79	23.5	0.91	22.0	1.04	20.5	1.16	19.0	1.29	17.5	1.42	16.0	1.54

Condenser only data table notes



Note:

1. For Outdoor Unit (Condenser) performance only. Data does not include the effects of air handler power or heat.
2. Performance based on 15°F subcooling and 15°F superheat at the Outdoor Unit base valves.
 - a. Increase capacity by 1% for each 2°F increase in subcooling.
 - b. Decrease capacity by 1% for each 2°F decrease in subcooling.
3. Maximum recommended condensing temperature is 140°F.

Cooling performance data - 1.5 ton

Table 20: Cooling performance data - 1.5 ton

Air temperature entering outdoor unit (°F)	Indoor CFM	450					600					750						
		ID DB (°F)		80	80	75	80	80	80	80	75	80	80	80	80	75	80	80
		ID WB (°F)	57	62	62	67	72	57	62	62	67	72	57	62	62	67	72	
55	TC	16.5	17.6	17.6	19.2	21.1	17.8	18.6	18.5	20.0	21.9	19.1	19.5	19.3	20.8	22.7		
	SC	16.2	14.5	11.8	12.6	9.9	17.8	17.6	14.2	15.2	11.5	19.1	19.5	16.6	17.8	13.0		
	kW	0.87	0.86	0.86	0.83	0.80	0.91	0.90	0.90	0.88	0.84	0.94	0.94	0.94	0.92	0.89		
65	TC	16.2	17.2	17.0	18.6	20.3	17.5	18.1	17.8	19.3	21.0	18.8	19.0	18.5	20.1	21.8		
	SC	14.9	13.9	11.8	12.0	9.9	17.4	16.7	14.2	14.5	11.5	18.8	19.0	16.6	17.0	13.2		
	kW	0.98	0.97	0.97	0.95	0.93	1.02	1.01	1.02	1.00	0.98	1.06	1.06	1.06	1.04	1.02		
75	TC	15.9	16.7	16.4	17.9	19.5	17.2	17.6	17.1	18.7	20.2	18.5	18.4	17.7	19.4	20.8		
	SC	13.5	13.2	11.8	11.4	9.9	15.6	15.7	14.2	13.8	11.6	17.7	18.2	16.7	16.2	13.4		
	kW	1.09	1.08	1.09	1.07	1.06	1.13	1.13	1.14	1.12	1.11	1.18	1.17	1.19	1.17	1.16		
85	TC	15.2	15.8	15.6	17.1	18.7	16.4	16.6	16.2	17.7	19.2	17.7	17.4	16.8	18.4	19.8		
	SC	13.9	13.3	11.2	11.1	9.7	15.9	16.0	13.6	13.5	11.3	17.7	17.4	16.0	15.9	12.9		
	kW	1.22	1.22	1.22	1.21	1.20	1.27	1.27	1.27	1.26	1.25	1.32	1.32	1.32	1.31	1.30		
95	TC	14.5	15.0	14.8	16.3	17.8	15.6	15.7	15.4	16.8	18.3	16.8	16.4	15.9	17.4	18.9		
	SC	14.3	13.3	10.7	10.9	9.5	15.6	15.7	12.9	13.3	10.9	16.8	16.4	15.2	15.7	12.4		
	kW	1.36	1.36	1.35	1.35	1.35	1.41	1.41	1.41	1.40	1.40	1.46	1.46	1.46	1.46	1.45		
105	TC	14.0	14.4	14.2	15.6	17.0	15.1	15.1	14.7	16.1	17.5	16.2	15.9	15.3	16.6	18.0		
	SC	13.6	13.0	10.5	10.8	9.2	15.1	15.1	12.6	13.1	10.6	16.2	15.9	14.7	15.5	12.1		
	kW	1.48	1.48	1.48	1.48	1.50	1.54	1.54	1.53	1.53	1.54	1.59	1.59	1.59	1.58	1.58		
115	TC	13.5	13.7	13.5	14.9	16.2	14.5	14.5	14.0	15.3	16.7	15.5	15.3	14.6	15.8	17.2		
	SC	13.0	12.7	10.4	10.7	8.8	14.4	14.5	12.2	13.0	10.3	15.5	15.3	14.1	15.3	11.8		
	kW	1.61	1.61	1.61	1.61	1.66	1.66	1.66	1.66	1.66	1.69	1.72	1.72	1.72	1.71	1.71		
125	TC	13.0	13.1	12.8	14.2	15.4	14.0	13.9	13.4	14.6	15.8	14.9	14.7	14.0	15.0	16.3		
	SC	12.3	12.4	10.2	10.5	8.5	13.4	13.9	11.9	12.8	10.0	14.6	14.7	13.5	15.0	11.5		
	kW	1.74	1.74	1.74	1.74	1.82	1.79	1.79	1.79	1.79	1.83	1.85	1.84	1.84	1.84	1.84		

Cooling multipliers for determining the performance with other indoor sections

For dry bulb temperatures different than those listed (between 73 °F - 87 °F), sensible capacity increases by 1060 Btuh per 1000 CFM per degree above the listed temperature and decreases by 1060 Btuh per 1000 CFM per degree below the listed temperature.

Cool multiplier airhandler - 1.5 ton

Table 21: Cool multiplier air handler - 1.5 ton

Air handler model	Indoor coil model	TC	SC	kW
JHETB24CBAS2N1	—	1.03	0.92	0.95
JMET08BS2N1A	XAF/XAF/XAUB30C	1.05	0.92	0.93
JMET08BS2N1A	XAH/XAHB30C	1.09	1.04	0.94
JMET12BS2N1A	XAF/XAF/XAUB30C	1.05	0.94	0.93
JMET12CS2N1A	XAF/XAFC30C	1.05	0.96	0.94
JMET12CS4N1A	XAFC30C	1.05	0.94	0.93
JMET16CS2N1A	XAF/XAFC30C	1.05	0.96	0.94
JMET16CS4N1A	XAFC30C	1.05	1.01	0.96
JMVT12BC2N1A	XAF/XAF/XAUB30C	1.05	0.92	0.93
JMVT12BC2N1A	XAH/XAHB30C	1.09	1.03	0.94
JMVT16CC2N1A	XAF/XAFC30C	1.05	0.94	0.93
JMVT16CC2N1A	XAH/XAHC30C	1.09	1.04	0.94
JMVT17CC2N1A	XAF/XAFC30C	1.05	0.92	0.93
JMVT17CC2N1A	XAH/XAHC30C	1.09	1.03	0.93

Cool multiplier furnace - 1.5 ton

Table 22: Cool multiplier furnace - 1.5 ton

Furnace model	Indoor coil model	TC	SC	kW
TL8E060A12UH11	XAF/XAF/XAUB30C	1.05	0.93	0.96
TL8E080C16UH11	XAF/XAFC30C	1.05	0.92	0.95
TL8E080C16UH11	XAH/XAHC30C	1.08	1.03	0.95
TL9E060B12UH11	XAF/XAF/XAUB30C	1.04	0.91	0.97
TL9E060B12UH11	XAF/XAFC30C	1.04	1.02	0.97
TL9E060B12UH11	XAH/XAHC30C	1.07	1.02	0.97
TL9E080C16UH11	XAF/XAFC30C	1.05	0.93	0.96
TM8E040A12MP11	XAF/XAF/XAUB30C	1.05	0.92	0.95
TM8E040A12MP11	XAH/XAHB30C	1.08	1.03	0.95
TM8E060A12MP11	XAF/XAF/XAUB30C	1.05	0.92	0.95
TM8E080B12MP11	XAF/XAF/XAUB30C	1.04	1	0.96
TM8E080B12MP11	XAF/XAFC30C	1.04	1	0.96
TM8E080B12MP11	XAH/XAHB30C	1.08	1.03	0.97
TM8E080C16MP11	XAF/XAFC30C	1.05	0.92	0.95
TM8E080C16MP11	XAH/XAHC30C	1.08	1.03	0.95

Table 22: Cool multiplier furnace - 1.5 ton

Furnace model	Indoor coil model	TC	SC	kW
TM8E100B12MP11	XAF/XAF/XAUB30C	1.05	0.94	0.95
TM8E100B12MP11	XAF/XAFC30C	1.05	0.94	0.95
TM8E100B12MP11	XAH/XAHB30C	1.08	1.03	0.97
TM8E100C16MP11	XAF/XAFC30C	1.05	0.93	0.96
TM8E120C16MP11	XAF/XAFC30C	1.05	0.92	0.95
TM8V060A12MP12C	XAF/XAF/XAUB30C	1.05	0.93	0.96
TM8V080B12MP12C	XAF/XAF/XAUB30C	1.04	0.96	0.97
TM8V080B12MP12C	XAF/XAFC30C	1.04	0.96	0.97
TM8V080B12MP12C	XAH/XAHB30C	1.07	1.02	0.99
TM8V080B12MP12C	XAH/XAHC30C	1.07	1.02	0.99
TM8Y060A12MP11	XAF/XAF/XAUB30C	1.05	0.94	0.96
TM8Y080B12MP11	XAF/XAF/XAUB30C	1.05	0.94	0.95
TM8Y080B12MP11	XAF/XAFC30C	1.05	0.94	0.95
TM8Y080C16MP11	XAF/XAFC30C	1.04	1.02	0.96
TM8Y080C16MP11	XAH/XAHC30C	1.08	1.03	0.95
TM8Y100C16MP11	XAF/XAFC30C	1.04	1.02	0.96
TM9E026A08MP12	XAF/XAF/XAUB30C	1.04	1.05	0.98
TM9E040A10MP12	XAF/XAF/XAUB30C	1.04	0.99	0.98
TM9E060A10MP12	XAF/XAF/XAUB30C	1.04	0.92	0.97
TM9E060B12MP12	XAF/XAF/XAUB30C	1.04	0.98	0.97
TM9E060B12MP12	XAF/XAFC30C	1.04	0.99	0.98
TM9E080B12MP12	XAF/XAF/XAUB30C	1.04	0.96	0.96
TM9E080B12MP12	XAF/XAFC30C	1.04	0.96	0.96
TM9E080C16MP12	XAF/XAFC30C	1.05	0.93	0.95
TM9E100C16MP12	XAF/XAFC30C	1.05	0.92	0.96
TM9E100C16MP12	XAH/XAHC30C	1.08	1.03	0.96
TM9V040A10MP12C	XAF/XAF/XAUB30C	1.04	0.95	0.99
TM9V060B12MP12C	XAF/XAF/XAUB30C	1.05	0.94	0.97
TM9V060B12MP12C	XAF/XAFC30C	1.05	0.94	0.97
TM9V080B12MP12C	XAF/XAF/XAUB30C	1.05	0.93	0.96
TM9V080B12MP12C	XAF/XAFC30C	1.05	0.93	0.96
TM9Y040A10MP11	XAF/XAF/XAUB30C	1.04	0.95	0.98
TM9Y060B12MP11	XAF/XAF/XAUB30C	1.04	0.91	0.97
TM9Y060B12MP11	XAF/XAFC30C	1.04	0.91	0.97
TM9Y060B12MP11	XAH/XAHC30C	1.07	1.02	0.97
TM9Y080B12MP11	XAF/XAF/XAUB30C	1.04	1	0.96
TM9Y080B12MP11	XAF/XAFC30C	1.04	1	0.97
TMLE040A12MP11	XAF/XAF/XAUB30C	1.05	0.92	0.95
TMLE040A12MP11	XAH/XAHB30C	1.08	1.03	0.95

Table 22: Cool multiplier furnace - 1.5 ton

Furnace model	Indoor coil model	TC	SC	kW
TMLE060A12MP11	XAF/XAF/XAUB30C	1.05	0.92	0.95
TMLE080B12MP11	XAF/XAF/XAUB30C	1.04	1	0.96
TMLE080B12MP11	XAF/XAFC30C	1.04	1	0.96
TMLE080B12MP11	XAH/XAHB30C	1.08	1.03	0.97
TMLE080C16MP11	XAF/XAFC30C	1.05	0.92	0.95
TMLE080C16MP11	XAH/XAHC30C	1.08	1.03	0.95
TMLE100B12MP11	XAF/XAF/XAUB30C	1.05	0.94	0.95
TMLE100B12MP11	XAF/XAFC30C	1.05	0.94	0.95
TMLE100B12MP11	XAH/XAHB30C	1.08	1.03	0.97
TMLE100C16MP11	XAF/XAFC30C	1.05	0.93	0.96
TMLE120C16MP11	XAF/XAFC30C	1.05	0.92	0.95
TMLV060A12MP12C	XAF/XAF/XAUB30C	1.05	0.93	0.96
TP9C060B12MP13C	XAF/XAF/XAUB30C	1.05	0.94	0.97
TP9C060B12MP13C	XAF/XAFC30C	1.05	0.94	0.97
TP9C080B12MP13C	XAF/XAF/XAUB30C	1.05	0.93	0.96
TP9C080B12MP13C	XAF/XAFC30C	1.05	0.93	0.96
TPLC060A12MP13C	XAF/XAF/XAUB30C	1.05	0.93	0.96
TPLC080B12MP13C	XAF/XAF/XAUB30C	1.04	0.96	0.97
TPLC080B12MP13C	XAF/XAFC30C	1.04	0.96	0.97
TPLC080B12MP13C	XAH/XAHB30C	1.07	1.02	0.99
TPLC080B12MP13C	XAH/XAHC30C	1.07	1.02	0.99
YP9C060B12MP13C	XAF/XAF/XAUB30C	1.05	0.94	0.97
YP9C060B12MP13C	XAF/XAFC30C	1.05	0.94	0.97
YP9C080B12MP13C	XAF/XAF/XAUB30C	1.05	0.93	0.96
YP9C080B12MP13C	XAF/XAFC30C	1.05	0.93	0.96
YPLC060A12MP13C	XAF/XAF/XAUB30C	1.05	0.93	0.96
YPLC080B12MP13C	XAF/XAF/XAUB30C	1.04	0.96	0.97
YPLC080B12MP13C	XAF/XAFC30C	1.04	0.96	0.97
YPLC080B12MP13C	XAH/XAHB30C	1.07	1.02	0.99
YPLC080B12MP13C	XAH/XAHC30C	1.07	1.02	0.99

Heating performance data - 1.5 ton

Table 23: Heating performance data - 1.5 ton

Air temperature entering outdoor unit (°F)	Air temperature entering indoor unit (°F)	ID CFM								
		1500			1750			2000		
		MBH	COP	kW	MBH	COP	kW	MBH	COP	kW
60	60	19.20	4.47	1.26	20.10	4.85	1.22	21.10	5.25	1.18
	70	18.40	3.91	1.38	19.20	4.21	1.33	20.00	4.54	1.29
	80	17.60	3.43	1.50	18.20	3.68	1.45	18.90	3.95	1.40
47	60	16.20	3.97	1.20	16.60	4.17	1.17	17.00	4.39	1.13
	70	15.60	3.44	1.33	16.00	3.63	1.29	16.50	3.83	1.26
	80	14.90	3.01	1.45	15.50	3.19	1.42	16.00	3.37	1.39
40	60	14.70	3.67	1.17	15.20	3.85	1.16	15.80	4.03	1.15
	70	14.10	3.19	1.29	14.70	3.36	1.28	15.20	3.53	1.26
	80	13.50	2.80	1.42	14.10	2.95	1.40	14.60	3.11	1.38
30	60	11.50	2.96	1.14	12.20	3.16	1.13	13.00	3.36	1.13
	70	11.60	2.71	1.25	12.20	2.87	1.25	12.80	3.03	1.24
	80	11.70	2.51	1.37	12.20	2.63	1.36	12.70	2.75	1.35
17	60	10.00	2.60	1.13	10.50	2.69	1.14	10.90	2.78	1.15
	70	9.70	2.31	1.23	10.10	2.40	1.24	10.60	2.49	1.25
	80	9.40	2.06	1.33	9.80	2.15	1.34	10.30	2.24	1.35
10	60	9.00	2.39	1.10	9.30	2.44	1.12	9.60	2.49	1.13
	70	8.50	2.08	1.20	8.90	2.15	1.22	9.30	2.22	1.23
	80	8.10	1.82	1.31	8.60	1.91	1.32	9.00	1.99	1.33
0	60	7.10	1.81	1.15	7.60	1.90	1.17	8.00	1.98	1.18
	70	7.00	1.69	1.20	7.30	1.75	1.22	7.60	1.81	1.24
	80	6.80	1.59	1.25	7.10	1.62	1.27	7.30	1.66	1.30

Heating multipliers for determining the performance with other indoor sections

Heat multiplier air handler - 1.5 ton

Table 24: Heat multiplier air handler - 1.5 ton

Air handler model	Indoor coil model	MBH	COP	kW
JHETB24CBAS2N1	—	1.14	1.33	0.88
JMET08BS2N1A	XAF/XAF/XAUB30C	1.01	1.05	0.96
JMET08BS2N1A	XAH/XAHB30C	0.97	1.01	0.96
JMET12CS2N1A	XAF/XAFC30C	1.00	1.05	0.95
JMET12CS4N1A	XAFC30C	1.01	1.05	0.96
JMET16CS2N1A	XAF/XAFC30C	1.00	1.05	0.95
JMET16CS4N1A	XAFC30C	1.00	1.04	0.96
JMVT12BC2N1A	XAF/XAF/XAUB30C	1.00	1.06	0.95
JMVT12BC2N1A	XAH/XAHB30C	0.97	1.01	0.96
JMVT16CC2N1A	XAF/XAFC30C	1.01	1.05	0.95
JMVT16CC2N1A	XAH/XAHC30C	0.97	1.01	0.96
JMVT17CC2N1A	XAF/XAFC30C	1.00	1.06	0.95
JMVT17CC2N1A	XAH/XAHC30C	0.97	1.02	0.96

Heat multiplier furnace - 1.5 ton

Table 25: Heat multiplier furnace - 1.5 ton

Furnace model	Indoor coil model	MBH	COP	kW
TL8E060A12UH11	XAF/XAF/XAUB30C	1.02	1.03	0.99
TL8E080C16UH11	XAF/XAFC30C	1.02	1.03	0.99
TL8E080C16UH11	XAH/XAHC30C	0.98	1.00	0.98
TL9E060B12UH11	XAF/XAFC30C	1.01	1.03	0.98
TL9E060B12UH11	XAH/XAHC30C	0.99	0.98	1.00
TL9E080C16UH11	XAF/XAFC30C	1.02	1.03	0.99
TM8E040A12MP11	XAF/XAF/XAUB30C	1.02	1.03	0.99
TM8E040A12MP11	XAH/XAHB30C	0.98	0.99	0.99
TM8E060A12MP11	XAF/XAF/XAUB30C	1.02	1.03	0.99
TM8E080B12MP11	XAF/XAF/XAUB30C	1.00	1.03	0.98
TM8E080B12MP11	XAF/XAFC30C	1.00	1.03	0.98
TM8E080B12MP11	XAH/XAHB30C	0.98	0.99	0.99
TM8E080C16MP11	XAF/XAFC30C	1.02	1.03	0.99
TM8E080C16MP11	XAH/XAHC30C	0.98	1.00	0.98
TM8E100B12MP11	XAF/XAFC30C	1.01	1.03	0.98
TM8E100B12MP11	XAH/XAHB30C	0.98	0.99	0.99
TM8E100C16MP11	XAF/XAFC30C	1.02	1.03	0.99
TM8E120C16MP11	XAF/XAFC30C	1.02	1.04	0.98
TM8V060A12MP12C	XAF/XAF/XAUB30C	1.02	1.03	0.98
TM8V080B12MP12C	XAF/XAF/XAUB30C	1.01	1.02	0.99
TM8V080B12MP12C	XAF/XAFC30C	1.01	1.02	0.99
TM8V080B12MP12C	XAH/XAHC30C	0.99	0.98	1.01
TM8Y060A12MP11	XAF/XAF/XAUB30C	1.01	1.03	0.98
TM8Y080B12MP11	XAF/XAF/XAUB30C	1.01	1.03	0.98
TM8Y080B12MP11	XAF/XAFC30C	1.01	1.03	0.98
TM8Y080C16MP11	XAF/XAFC30C	1.00	1.04	0.96
TM8Y100C16MP11	XAF/XAFC30C	1.00	1.04	0.96
TM9E026A08MP12	XAF/XAF/XAUB30C	1.01	1.02	0.98
TM9E040A10MP12	XAF/XAF/XAUB30C	1.01	1.02	0.99
TM9E060A10MP12	XAF/XAF/XAUB30C	1.02	1.02	1.00
TM9E060B12MP12	XAF/XAF/XAUB30C	1.01	1.03	0.98
TM9E060B12MP12	XAF/XAFC30C	1.01	1.02	0.99
TM9E080B12MP12	XAF/XAF/XAUB30C	1.01	1.03	0.98
TM9E080B12MP12	XAF/XAFC30C	1.01	1.03	0.98
TM9E080C16MP12	XAF/XAFC30C	1.02	1.03	0.98
TM9E100C16MP12	XAH/XAHC30C	0.98	0.99	0.99
TM9V040A10MP12C	XAF/XAF/XAUB30C	1.02	1.01	1.00
TM9V060B12MP12C	XAF/XAF/XAUB30C	1.01	1.03	0.99

Table 25: Heat multiplier furnace - 1.5 ton

Furnace model	Indoor coil model	MBH	COP	kW
TM9V060B12MP12C	XAF/XAFC30C	1.01	1.02	0.99
TM9V080B12MP12C	XAF/XAF/XAUB30C	1.02	1.03	0.98
TM9V080B12MP12C	XAF/XAFC30C	1.02	1.03	0.98
TM9Y040A10MP11	XAF/XAF/XAUB30C	1.02	1.01	1.00
TM9Y060B12MP11	XAF/XAF/XAUB30C	1.02	1.01	1.01
TM9Y060B12MP11	XAF/XAFC30C	1.02	1.01	1.01
TM9Y060B12MP11	XAH/XAHC30C	0.99	0.98	1.00
TM9Y080B12MP11	XAF/XAF/XAUB30C	1.00	1.03	0.98
TM9Y080B12MP11	XAF/XAFC30C	1.00	1.03	0.98
TMLE040A12MP11	XAF/XAF/XAUB30C	1.02	1.03	0.99
TMLE040A12MP11	XAH/XAHB30C	0.98	0.99	0.99
TMLE060A12MP11	XAF/XAF/XAUB30C	1.02	1.03	0.99
TMLE080B12MP11	XAF/XAF/XAUB30C	1.00	1.03	0.98
TMLE080B12MP11	XAF/XAFC30C	1.00	1.03	0.98
TMLE080B12MP11	XAH/XAHB30C	0.98	0.99	0.99
TMLE080C16MP11	XAF/XAFC30C	1.02	1.03	0.99
TMLE080C16MP11	XAH/XAHC30C	0.98	1.00	0.98
TMLE100B12MP11	XAF/XAFC30C	1.01	1.03	0.98
TMLE100B12MP11	XAH/XAHB30C	0.98	0.99	0.99
TMLE100C16MP11	XAF/XAFC30C	1.02	1.03	0.99
TMLE120C16MP11	XAF/XAFC30C	1.02	1.04	0.98
TMLV060A12MP12C	XAF/XAF/XAUB30C	1.02	1.03	0.98
TP9C060B12MP13C	XAF/XAF/XAUB30C	1.01	1.03	0.99
TP9C060B12MP13C	XAF/XAFC30C	1.01	1.02	0.99
TP9C080B12MP13C	XAF/XAF/XAUB30C	1.02	1.03	0.98
TPLC060A12MP13C	XAF/XAF/XAUB30C	1.02	1.03	0.98
TPLC080B12MP13C	XAF/XAF/XAUB30C	1.01	1.02	0.99
TPLC080B12MP13C	XAF/XAFC30C	1.01	1.02	0.99
TPLC080B12MP13C	XAH/XAHC30C	0.99	0.98	1.01
YP9C060B12MP13C	XAF/XAF/XAUB30C	1.01	1.03	0.99
YP9C060B12MP13C	XAF/XAFC30C	1.01	1.02	0.99
YP9C080B12MP13C	XAF/XAF/XAUB30C	1.02	1.03	0.98
YPLC060A12MP13C	XAF/XAF/XAUB30C	1.02	1.03	0.98
YPLC080B12MP13C	XAF/XAF/XAUB30C	1.01	1.02	0.99
YPLC080B12MP13C	XAF/XAFC30C	1.01	1.02	0.99
YPLC080B12MP13C	XAH/XAHB30C	0.99	0.97	1.01
YPLC080B12MP13C	XAH/XAHC30C	0.99	0.98	1.01

Performance data 2 ton

Condenser only performance data - 2 ton

Table 26: Condenser only performance data - 2 ton

Saturated suction at compressor		Outdoor temperature															
Temperature	Pressure	55°F		65°F		75°F		85°F		95°F		105°F		115°F		125°F	
(°F)	(psig)	MBH	kW	MBH	kW	MBH	kW	MBH	kW	MBH	kW	MBH	kW	MBH	kW	MBH	kW
35	107	23.6	1.02	22.4	1.17	21.1	1.32	19.7	1.48	18.3	1.67	16.8	1.87	15.3	2.12	13.6	2.40
40	118	25.9	1.02	24.6	1.17	23.2	1.32	21.8	1.49	20.2	1.68	18.6	1.88	17.0	2.13	15.2	2.41
45	130	28.4	1.02	26.9	1.17	25.5	1.33	23.9	1.50	22.3	1.69	20.6	1.90	18.8	2.14	16.9	2.42
50	143	31.0	1.02	29.5	1.18	27.9	1.34	26.2	1.51	24.5	1.70	22.6	1.91	20.7	2.16	18.7	2.44
55	156	33.7	1.02	32.1	1.18	30.4	1.35	28.6	1.52	26.7	1.72	24.8	1.93	22.7	2.18	20.6	2.46
60	170	36.6	1.03	34.9	1.19	33.0	1.36	31.1	1.54	29.1	1.74	27.0	1.95	24.9	2.20	22.6	2.48

Condenser only data table notes

Note:

- For Outdoor Unit (Condenser) performance only. Data does not include the effects of air handler power or heat.
- Performance based on 15°F subcooling and 15°F superheat at the Outdoor Unit base valves.
 - Increase capacity by 1% for each 2°F increase in subcooling.
 - Decrease capacity by 1% for each 2°F decrease in subcooling.
- Maximum recommended condensing temperature is 140°F.

Cooling performance data - 2 ton

Table 27: Cooling performance data - 2 ton

Air temperature entering outdoor unit (°F)	Indoor CFM	600						800						1000									
		ID DB (°F)		80		75		80		80		75		80		80		75		80			
		ID WB (°F)	57	62	62	67	72	57	62	62	67	72	57	62	62	67	72	57	62	62	67	72	
55	TC	22.7	24.8	24.9	27.2	29.6	24.4	26.0	25.9	28.2	30.5	26.3	27.2	26.8	29.2	31.5							
	SC	22.7	20.5	17.0	17.1	13.8	24.4	23.7	19.3	19.3	15.1	26.3	26.9	21.6	21.6	16.4							
	kW	1.25	1.26	1.26	1.27	1.28	1.33	1.33	1.33	1.34	1.36	1.40	1.41	1.41	1.42	1.43							
65	TC	21.9	23.8	24.0	26.3	28.6	23.5	24.9	24.9	27.2	29.5	25.6	26.0	25.8	28.1	30.4							
	SC	21.9	20.0	16.8	16.9	13.5	23.5	22.9	19.1	19.1	14.8	25.6	25.8	21.3	21.3	16.0							
	kW	1.37	1.38	1.38	1.38	1.39	1.45	1.45	1.45	1.46	1.47	1.52	1.53	1.53	1.53	1.55							
75	TC	21.2	22.7	23.0	25.3	27.5	22.7	23.8	23.9	26.1	28.4	24.8	24.8	24.7	27.0	29.2							
	SC	21.2	19.5	16.5	16.6	13.1	22.7	22.1	18.7	18.8	14.4	24.8	24.7	20.9	21.0	15.6							
	kW	1.52	1.52	1.52	1.53	1.53	1.60	1.60	1.60	1.60	1.61	1.67	1.67	1.67	1.68	1.69							
85	TC	20.4	21.7	22.0	24.2	26.4	21.8	22.7	22.8	24.9	27.1	23.8	23.7	23.6	25.7	27.8							
	SC	20.4	19.0	16.1	16.2	12.7	21.8	21.3	18.2	18.3	13.9	23.8	23.5	20.4	20.5	15.1							
	kW	1.70	1.70	1.69	1.70	1.70	1.77	1.77	1.77	1.78	1.78	1.85	1.84	1.84	1.85	1.85							
95	TC	19.6	20.6	20.9	23.0	25.1	20.9	21.6	21.6	23.7	25.8	22.8	22.5	22.3	24.3	26.4							
	SC	19.6	18.4	15.6	15.7	12.2	20.9	20.4	17.7	17.8	13.4	22.8	22.4	19.7	19.9	14.5							
	kW	1.90	1.90	1.89	1.90	1.90	1.97	1.97	1.97	1.98	1.98	2.05	2.04	2.04	2.05	2.05							
105	TC	18.7	19.6	19.8	21.7	23.7	20.0	20.5	20.4	22.3	24.3	21.7	21.4	21.0	22.9	24.9							
	SC	18.7	17.8	15.0	15.0	11.6	20.0	19.5	17.0	17.1	12.7	21.7	21.3	19.0	19.2	13.9							
	kW	2.13	2.13	2.12	2.13	2.13	2.20	2.20	2.20	2.20	2.20	2.28	2.27	2.27	2.28	2.27							
115	TC	17.9	18.5	18.5	20.3	22.2	19.1	19.4	19.1	20.8	22.7	20.5	20.2	19.6	21.3	23.2							
	SC	17.9	17.2	14.4	14.3	11.0	19.1	18.7	16.2	16.3	12.1	20.5	20.2	18.1	18.3	13.1							
	kW	2.38	2.38	2.38	2.39	2.38	2.45	2.45	2.45	2.46	2.45	2.53	2.53	2.53	2.53	2.53							
125	TC	17.0	17.5	17.2	18.8	20.7	18.2	18.3	17.7	19.2	21.1	19.2	19.1	18.1	19.7	21.5							
	SC	17.0	16.5	13.6	13.5	10.3	18.2	17.8	15.4	15.4	11.3	19.2	19.1	17.1	17.3	12.3							
	kW	2.67	2.66	2.67	2.67	2.66	2.74	2.74	2.74	2.74	2.73	2.81	2.81	2.81	2.81	2.81							

Cooling multipliers for determining the performance with other indoor sections

For dry bulb temperatures different than those listed (between 73 °F - 87 °F), sensible capacity increases by 1060 Btuh per 1000 CFM per degree above the listed temperature and decreases by 1060 Btuh per 1000 CFM per degree below the listed temperature.

Cool multiplier airhandler - 2 ton

Table 28: Cool multiplier air handler - 2 ton

Air handler model	Indoor coil model	TC	SC	kW
JHETB24CBAS2N1	—	1.00	0.99	0.99
JHETB30DBAS2N1	—	1.03	0.97	1
JHETB36DBAS2N1	—	1.03	0.98	1
JHETC36DBAS2N1	—	1.02	0.97	0.99
JHVTB24CBAC2N1	—	1.01	1.01	0.98
JHVTB36DBAC2N1	—	1.02	0.97	1
JHVTC36DBAC2N1	—	1.03	0.98	0.99
JMET08BS2N1A	XAF/XAF/XAUB30C	1.02	1.03	0.99
JMET08BS2N1A	XAF/XAF/XAUB36D	1.02	0.98	1
JMET08BS2N1A	XAH/XAHB30C	1.00	0.97	0.98
JMET08BS2N1A	XAH/XAHB36D	1.02	1.02	0.99
JMET12BS2N1A	XAF/XAF/XAUB30C	1.01	1.02	0.98
JMET12BS2N1A	XAF/XAF/XAUB36D	1.03	0.98	1
JMET12BS2N1A	XAH/XAHB30C	1.01	0.98	0.98
JMET12BS2N1A	XAH/XAHB36D	1.02	1.02	0.99
JMET12BS4N1A	XAF/XAF/XAUB36D	1.02	0.97	1
JMET12BS4N1A	XAH/XAHB36D	1.03	1.03	1
JMET12CS2N1A	XAF/XAFC30C	1.02	1.02	0.97
JMET12CS2N1A	XAF/XAFC36D	1.03	0.98	0.99
JMET12CS2N1A	XAH/XAHC30C	1.01	0.98	0.98
JMET16CS2N1A	XAF/XAFC30C	1.02	1.02	0.97
JMET16CS2N1A	XAF/XAFC36D	1.03	0.98	0.99
JMET16CS2N1A	XAH/XAHC30C	1.01	0.98	0.97
JMET16CS2N1A	XAH/XAHC36D	1.03	1.04	0.98
JMET16CS4N1A	XAFC30C	1.02	1.02	0.98
JMET16CS4N1A	XAFC36D	1.03	0.98	1
JMET16CS4N1A	XAHC30C	1.01	0.98	0.98
JMET16CS4N1A	XAHC36D	1.03	1.04	0.99
JMVT12BC2N1A	XAF/XAF/XAUB30C	1.02	1.02	0.98
JMVT12BC2N1A	XAF/XAF/XAUB36D	1.03	0.98	1
JMVT12BC2N1A	XAH/XAHB30C	1.01	0.98	0.98
JMVT12BC2N1A	XAH/XAHB36D	1.03	1.04	1

Cool multiplier furnace - 2 ton

Table 29: Cool multiplier furnace - 2 ton

Furnace model	Indoor coil model	TC	SC	kW
TL8E060A12UH11	XAF/XAF/XAUB30C	1.01	0.99	1.01
TL8E060A12UH11	XAF/XAF/XAUB36D	1.02	0.98	1.02
TL8E060A12UH11	XAF/XAFA30D	1.01	0.96	1.04
TL8E060A12UH11	XAH/XAHB30C	1.00	0.97	1
TL8E060A12UH11	XAH/XAHB36D	1.02	1.02	1.03
TL8E080C16UH11	XAF/XAFC30C	1.01	1.02	1
TL8E080C16UH11	XAF/XAFC36D	1.03	0.97	1.02
TL8E080C16UH11	XAH/XAHC30C	1.01	0.97	1
TL8E080C16UH11	XAH/XAHC36D	1.03	1.03	1.01
TL9E060B12UH11	XAF/XAF/XAUB30C	1.00	0.99	1.03
TL9E060B12UH11	XAF/XAF/XAUB36D	1.01	0.95	1.05
TL9E060B12UH11	XAF/XAFC30C	1.00	0.99	1.03
TL9E060B12UH11	XAF/XAFC36D	1.01	0.96	1.05
TL9E060B12UH11	XAH/XAHB30C	1.00	0.97	1.04
TL9E060B12UH11	XAH/XAHB36D	1.01	1.01	1.05
TL9E060B12UH11	XAH/XAHC30C	1.00	0.96	1.03
TL9E080C16UH11	XAF/XAFC30C	1.01	1.01	1
TL9E080C16UH11	XAF/XAFC36D	1.02	0.97	1.02
TL9E080C16UH11	XAH/XAHC30C	1.01	0.97	1.01
TL9E080C16UH11	XAH/XAHC36D	1.02	1.03	1.01
TM8E040A12MP11	XAF/XAF/XAUB30C	1.01	1.01	1.01
TM8E040A12MP11	XAF/XAF/XAUB36D	1.02	0.97	1.01
TM8E040A12MP11	XAF/XAFA30D	1.01	0.96	1.05
TM8E040A12MP11	XAH/XAHB30C	1.01	0.98	1
TM8E040A12MP11	XAH/XAHB36D	1.02	1.02	1.03
TM8E060A12MP11	XAF/XAF/XAUB30C	1.01	1.01	1.01
TM8E060A12MP11	XAF/XAF/XAUB30C	1.01	1.01	1.01
TM8E060A12MP11	XAF/XAF/XAUB36D	1.02	0.97	1.03
TM8E060A12MP11	XAF/XAFA30D	1.02	0.96	1.03
TM8E060A12MP11	XAH/XAHB30C	1.00	0.97	1.01
TM8E060A12MP11	XAH/XAHB36D	1.02	1.02	1.02
TM8E080B12MP11	XAF/XAF/XAUB36D	1.02	0.97	1.03
TM8E080B12MP11	XAF/XAFC30C	1.01	1.01	1.01
TM8E080B12MP11	XAF/XAFC36D	1.02	0.97	1.03
TM8E080B12MP11	XAH/XAHB30C	1.00	0.97	1.02
TM8E080B12MP11	XAH/XAHB36D	1.02	1.02	1.02
TM8E080B12MP11	XAH/XAHC30C	1.01	0.98	1.01
TM8E080B12MP11	XAH/XAHC36D	1.02	1.02	1.01

Table 29: Cool multiplier furnace - 2 ton

Furnace model	Indoor coil model	TC	SC	kW
TM8E080C16MP11	XAF/XAFC30C	1.01	1.01	0.99
TM8E080C16MP11	XAF/XAFC36D	1.02	0.97	1.01
TM8E080C16MP11	XAH/XAHC36D	1.03	1.03	1.01
TM8E100B12MP11	XAF/XAF/XAUB30C	1.01	1.01	1.01
TM8E100B12MP11	XAF/XAF/XAUB36D	1.02	0.97	1.04
TM8E100B12MP11	XAF/XAFC30C	1.00	1.01	1
TM8E100B12MP11	XAF/XAFC36D	1.02	0.96	1.02
TM8E100B12MP11	XAH/XAHB30C	1.00	0.97	1
TM8E100B12MP11	XAH/XAHB36D	1.02	1.02	1.02
TM8E100B12MP11	XAH/XAHC30C	1.00	0.98	1
TM8E100B12MP11	XAH/XAHC36D	1.02	1.03	1.01
TM8E100C16MP11	XAF/XAFC30C	1.01	1.02	1
TM8E100C16MP11	XAF/XAFC36D	1.03	0.97	1.02
TM8E100C16MP11	XAH/XAHC30C	1.01	0.98	1
TM8E100C16MP11	XAH/XAHC36D	1.02	1.02	1.01
TM8E120C16MP11	XAF/XAFC36D	1.03	0.97	1.02
TM8E120C16MP11	XAH/XAHC30C	1.01	0.97	0.99
TM8E120C16MP11	XAH/XAHC36D	1.03	1.03	1
TM8V060A12MP12C	XAF/XAF/XAUB30C	1.01	1.02	1.01
TM8V080B12MP12C	XAF/XAF/XAUB30C	1.00	1	1.03
TM8V080B12MP12C	XAF/XAF/XAUB36D	1.01	0.96	1.04
TM8V080B12MP12C	XAF/XAFC30C	1.00	1	1.03
TM8V080B12MP12C	XAF/XAFC36D	1.01	0.96	1.04
TM8V080B12MP12C	XAH/XAHB30C	0.99	0.96	1.03
TM8V080B12MP12C	XAH/XAHB36D	1.01	1.01	1.04
TM8V080B12MP12C	XAH/XAHC30C	0.99	0.96	1.02
TM8V080B12MP12C	XAH/XAHC36D	1.01	1.01	1.03
TM8Y060A12MP11	XAF/XAF/XAUB30C	1.01	1.01	1.01
TM8Y060A12MP11	XAF/XAF/XAUB36D	1.02	0.97	1.03
TM8Y060A12MP11	XAF/XAFA30D	1.01	0.95	1.06
TM8Y060A12MP11	XAH/XAHB30C	1.00	0.97	1.01
TM8Y060A12MP11	XAH/XAHB36D	1.01	1.01	1.01
TM8Y080B12MP11	XAF/XAF/XAUB30C	1.01	1.01	1.01
TM8Y080B12MP11	XAF/XAF/XAUB36D	1.01	0.96	1.02
TM8Y080B12MP11	XAF/XAFC30C	1.01	1.01	1.01
TM8Y080B12MP11	XAF/XAFC36D	1.02	0.97	1.02
TM8Y080B12MP11	XAH/XAHB30C	1.01	0.98	1.01
TM8Y080B12MP11	XAH/XAHB36D	1.02	1.03	1.02
TM8Y080B12MP11	XAH/XAHC30C	1.00	0.97	1

Table 29: Cool multiplier furnace - 2 ton

Furnace model	Indoor coil model	TC	SC	kW
TM8Y080B12MP11	XAH/XAHC36D	1.02	1.03	1.01
TM8Y080C16MP11	XAF/XAFC30C	1.01	1.02	1
TM8Y080C16MP11	XAF/XAFC36D	1.02	0.97	1.01
TM8Y080C16MP11	XAH/XAHC30C	1.01	0.97	1
TM8Y080C16MP11	XAH/XAHC36D	1.03	1.03	1
TM8Y100C16MP11	XAF/XAFC30C	1.01	1.01	0.99
TM8Y100C16MP11	XAF/XAFC36D	1.02	0.97	1.01
TM8Y100C16MP11	XAH/XAHC30C	1.01	0.98	0.99
TM8Y100C16MP11	XAH/XAHC36D	1.03	1.03	1
TM9E026A08MP12	XAF/XAF/XAUB30C	1.00	1	1.04
TM9E026A08MP12	XAF/XAF/XAUB36D	1.00	0.95	1.05
TM9E026A08MP12	XAF/XAFA30D	1.01	0.96	1.07
TM9E026A08MP12	XAH/XAHB30C	1.00	0.97	1.04
TM9E026A08MP12	XAH/XAHB36D	1.01	1.01	1.05
TM9E040A10MP12	XAF/XAF/XAUB30C	1.00	1	1.03
TM9E040A10MP12	XAF/XAF/XAUB36D	1.00	0.95	1.07
TM9E040A10MP12	XAF/XAFA30D	1.00	0.95	1.07
TM9E040A10MP12	XAH/XAHB30C	1.00	0.97	1.04
TM9E040A10MP12	XAH/XAHB36D	1.01	1	1.06
TM9E060A10MP12	XAF/XAF/XAUB30C	1.00	0.99	1.04
TM9E060A10MP12	XAF/XAF/XAUB36D	1.01	0.96	1.06
TM9E060A10MP12	XAF/XAFA30D	1.00	0.95	1.07
TM9E060A10MP12	XAH/XAHB30C	0.99	0.95	1.05
TM9E060A10MP12	XAH/XAHB36D	1.01	1.01	1.05
TM9E060B12MP12	XAF/XAF/XAUB36D	1.01	0.95	1.05
TM9E060B12MP12	XAF/XAFC30C	1.00	1	1.01
TM9E060B12MP12	XAF/XAFC36D	1.01	0.95	1.05
TM9E060B12MP12	XAH/XAHB30C	1.00	0.97	1.02
TM9E060B12MP12	XAH/XAHB36D	1.01	1.02	1.05
TM9E060B12MP12	XAH/XAHC30C	1.00	0.97	1.02
TM9E060B12MP12	XAH/XAHC36D	1.02	1.02	1.04
TM9E080B12MP12	XAF/XAF/XAUB30C	1.01	1	1.01
TM9E080B12MP12	XAF/XAF/XAUB36D	1.02	0.96	1.04
TM9E080B12MP12	XAF/XAFC36D	1.02	0.97	1.04
TM9E080B12MP12	XAH/XAHB30C	1.00	0.97	1.01
TM9E080B12MP12	XAH/XAHB36D	1.02	1.02	1.03
TM9E080B12MP12	XAH/XAHC36D	1.02	1.02	1.02
TM9E080C16MP12	XAF/XAFC30C	1.01	1	1
TM9E080C16MP12	XAF/XAFC36D	1.02	0.97	1.01

Table 29: Cool multiplier furnace - 2 ton

Furnace model	Indoor coil model	TC	SC	kW
TM9E080C16MP12	XAH/XAHC36D	1.03	1.03	1.01
TM9E100C16MP12	XAF/XAFC30C	1.01	1.01	0.99
TM9E100C16MP12	XAF/XAFC36D	1.02	0.97	1.01
TM9E100C16MP12	XAH/XAHC30C	1.00	0.97	1
TM9E100C16MP12	XAH/XAHC36D	1.03	1.03	1.01
TM9V040A10MP12C	XAF/XAF/XAUB30C	1.00	1	1.04
TM9V040A10MP12C	XAF/XAF/XAUB36D	1.00	0.95	1.08
TM9V040A10MP12C	XAF/XAFA30D	1.00	0.95	1.07
TM9V040A10MP12C	XAH/XAHB30C	0.99	0.96	1.04
TM9V040A10MP12C	XAH/XAHB36D	1.01	1.01	1.06
TM9V060B12MP12C	XAF/XAF/XAUB30C	1.01	1.01	1.02
TM9V060B12MP12C	XAF/XAF/XAUB36D	1.01	0.96	1.04
TM9V060B12MP12C	XAF/XAFC30C	1.00	0.99	1.03
TM9V060B12MP12C	XAF/XAFC36D	1.01	0.96	1.05
TM9V060B12MP12C	XAH/XAHB30C	1.00	0.97	1.02
TM9V060B12MP12C	XAH/XAHC30C	1.00	0.96	1.03
TM9V060B12MP12C	XAH/XAHC36D	1.01	1.01	1.04
TM9V080B12MP12C	XAF/XAF/XAUB30C	1.01	1.01	1.01
TM9V080B12MP12C	XAF/XAF/XAUB36D	1.02	0.97	1.04
TM9V080B12MP12C	XAF/XAFC30C	1.01	1.01	1.01
TM9V080B12MP12C	XAH/XAHB30C	1.00	0.97	1.01
TM9V080B12MP12C	XAH/XAHB36D	1.02	1.02	1.02
TM9V080B12MP12C	XAH/XAHC30C	1.00	0.97	1
TM9V080B12MP12C	XAH/XAHC36D	1.02	1.02	1.01
TM9Y040A10MP11	XAF/XAF/XAUB30C	0.99	0.99	1.07
TM9Y040A10MP11	XAF/XAF/XAUB36D	1.01	0.96	1.06
TM9Y040A10MP11	XAF/XAFA30D	1.00	0.96	1.07
TM9Y040A10MP11	XAH/XAHB30C	0.99	0.96	1.04
TM9Y040A10MP11	XAH/XAHB36D	1.01	1	1.06
TM9Y060B12MP11	XAF/XAF/XAUB30C	1.00	1	1.02
TM9Y060B12MP11	XAF/XAF/XAUB36D	1.01	0.96	1.04
TM9Y060B12MP11	XAF/XAFC30C	1.00	1	1.02
TM9Y060B12MP11	XAF/XAFC36D	1.01	0.96	1.03
TM9Y060B12MP11	XAH/XAHB30C	1.00	0.97	1.03
TM9Y060B12MP11	XAH/XAHB36D	1.01	1.02	1.03
TM9Y060B12MP11	XAH/XAHC30C	1.00	0.97	1.02
TM9Y060B12MP11	XAH/XAHC36D	1.01	1.02	1.03
TM9Y080B12MP11	XAF/XAF/XAUB30C	1.00	1.01	1.01
TM9Y080B12MP11	XAF/XAF/XAUB36D	1.02	0.96	1.03

Table 29: Cool multiplier furnace - 2 ton

Furnace model	Indoor coil model	TC	SC	kW
TM9Y080B12MP11	XAF/XAFC30C	1.00	1.01	1.01
TM9Y080B12MP11	XAF/XAFC36D	1.01	0.96	1.02
TM9Y080B12MP11	XAH/XAHB30C	1.00	0.98	1.01
TM9Y080B12MP11	XAH/XAHB36D	1.02	1.02	1.03
TM9Y080B12MP11	XAH/XAHC30C	1.00	0.98	1.01
TM9Y080B12MP11	XAH/XAHC36D	1.02	1.02	1.01
TM9Y080C16MP11	XAF/XAFC30C	1.01	1.01	1
TM9Y080C16MP11	XAF/XAFC36D	1.02	0.97	1.02
TM9Y080C16MP11	XAH/XAHC30C	1.00	0.97	1
TM9Y080C16MP11	XAH/XAHC36D	1.02	1.02	1.02
TM9Y100C16MP11	XAF/XAFC30C	1.01	1.01	1
TM9Y100C16MP11	XAF/XAFC36D	1.02	0.96	1.03
TM9Y100C16MP11	XAH/XAHC30C	1.00	0.98	1.01
TM9Y100C16MP11	XAH/XAHC36D	1.03	1.03	1.02
TMLE040A12MP11	XAF/XAF/XAUB30C	1.01	1.01	1.01
TMLE040A12MP11	XAF/XAF/XAUB36D	1.02	0.97	1.01
TMLE040A12MP11	XAF/XAFA30D	1.01	0.96	1.05
TMLE040A12MP11	XAH/XAHB30C	1.01	0.98	1
TMLE040A12MP11	XAH/XAHB36D	1.02	1.02	1.03
TMLE060A12MP11	XAF/XAF/XAUB30C	1.01	1.01	1.01
TMLE060A12MP11	XAF/XAF/XAUB30C	1.01	1.01	1.01
TMLE060A12MP11	XAF/XAF/XAUB36D	1.02	0.97	1.03
TMLE060A12MP11	XAF/XAFA30D	1.02	0.96	1.03
TMLE060A12MP11	XAH/XAHB30C	1.00	0.97	1.01
TMLE080B12MP11	XAF/XAF/XAUB36D	1.02	0.97	1.03
TMLE080B12MP11	XAF/XAFC30C	1.01	1.01	1.01
TMLE080B12MP11	XAF/XAFC36D	1.02	0.97	1.03
TMLE080B12MP11	XAH/XAHB30C	1.00	0.97	1.02
TMLE080B12MP11	XAH/XAHB36D	1.02	1.02	1.02
TMLE080B12MP11	XAH/XAHC36D	1.02	1.02	1.01
TMLE080C16MP11	XAF/XAFC30C	1.01	1.01	0.99
TMLE080C16MP11	XAF/XAFC36D	1.02	0.97	1.01
TMLE080C16MP11	XAH/XAHC30C	1.00	0.97	1
TMLE080C16MP11	XAH/XAHC36D	1.03	1.03	1.01
TMLE100B12MP11	XAF/XAF/XAUB30C	1.01	1.01	1.01
TMLE100B12MP11	XAF/XAF/XAUB36D	1.02	0.97	1.04
TMLE100B12MP11	XAF/XAFC30C	1.00	1.01	1
TMLE100B12MP11	XAF/XAFC36D	1.02	0.96	1.02
TMLE100B12MP11	XAH/XAHB30C	1.00	0.97	1

Table 29: Cool multiplier furnace - 2 ton

Furnace model	Indoor coil model	TC	SC	kW
TMLE100B12MP11	XAH/XAHB36D	1.02	1.02	1.02
TMLE100B12MP11	XAH/XAHC30C	1.00	0.98	1
TMLE100B12MP11	XAH/XAHC36D	1.02	1.03	1.01
TMLE100C16MP11	XAF/XAFC30C	1.01	1.02	1
TMLE100C16MP11	XAF/XAFC36D	1.03	0.97	1.02
TMLE100C16MP11	XAH/XAHC30C	1.01	0.98	1
TMLE100C16MP11	XAH/XAHC36D	1.02	1.02	1.01
TMLE120C16MP11	XAF/XAFC36D	1.03	0.97	1.02
TMLE120C16MP11	XAH/XAHC30C	1.01	0.97	0.99
TMLE120C16MP11	XAH/XAHC36D	1.03	1.03	1
TMLV060A12MP12C	XAF/XAF/XAUB30C	1.01	1.02	1.01
TP9C060B12MP13C	XAF/XAF/XAUB30C	1.01	1.01	1.02
TP9C060B12MP13C	XAF/XAF/XAUB36D	1.01	0.96	1.04
TP9C060B12MP13C	XAF/XAFC30C	1.00	0.99	1.03
TP9C060B12MP13C	XAF/XAFC36D	1.01	0.96	1.05
TP9C060B12MP13C	XAH/XAHB30C	1.00	0.97	1.02
TP9C060B12MP13C	XAH/XAHC30C	1.00	0.96	1.03
TP9C060B12MP13C	XAH/XAHC36D	1.01	1.01	1.04
TP9C080B12MP13C	XAF/XAF/XAUB30C	1.01	1.01	1.01
TP9C080B12MP13C	XAF/XAF/XAUB36D	1.02	0.97	1.04
TP9C080B12MP13C	XAF/XAFC30C	1.01	1.01	1.01
TP9C080B12MP13C	XAH/XAHB30C	1.00	0.97	1.01
TP9C080B12MP13C	XAH/XAHB36D	1.02	1.02	1.02
TP9C080B12MP13C	XAH/XAHC36D	1.02	1.02	1.01
TPLC060A12MP13C	XAF/XAF/XAUB30C	1.01	1.02	1.01
TPLC080B12MP13C	XAF/XAF/XAUB30C	1.00	1	1.03
TPLC080B12MP13C	XAF/XAF/XAUB36D	1.01	0.96	1.04
TPLC080B12MP13C	XAF/XAFC30C	1.00	1	1.03
TPLC080B12MP13C	XAF/XAFC36D	1.01	0.96	1.04
TPLC080B12MP13C	XAH/XAHB30C	0.99	0.96	1.03
TPLC080B12MP13C	XAH/XAHB36D	1.01	1.01	1.04
TPLC080B12MP13C	XAH/XAHC30C	0.99	0.96	1.02
TPLC080B12MP13C	XAH/XAHC36D	1.01	1.01	1.03
YP9C060B12MP13C	XAF/XAF/XAUB36D	1.01	0.96	1.04
YP9C060B12MP13C	XAF/XAFC30C	1.00	0.99	1.03
YP9C060B12MP13C	XAF/XAFC36D	1.01	0.96	1.05
YP9C060B12MP13C	XAH/XAHB30C	1.00	0.97	1.02
YP9C060B12MP13C	XAH/XAHB36D	1.01	1.02	1.03
YP9C060B12MP13C	XAH/XAHC30C	1.00	0.96	1.03

Table 29: Cool multiplier furnace - 2 ton

Furnace model	Indoor coil model	TC	SC	kW
YP9C060B12MP13C	XAH/XAHC36D	1.01	1.01	1.04
YP9C080B12MP13C	XAF/XAF/XAUB30C	1.01	1.01	1.01
YP9C080B12MP13C	XAF/XAF/XAUB36D	1.02	0.97	1.04
YP9C080B12MP13C	XAF/XAFC30C	1.01	1.01	1.01
YP9C080B12MP13C	XAH/XAHB30C	1.00	0.97	1.01
YP9C080B12MP13C	XAH/XAHB36D	1.02	1.02	1.02
YP9C080B12MP13C	XAH/XAHC30C	1.00	0.97	1
YP9C080B12MP13C	XAH/XAHC36D	1.02	1.02	1.01
YPLC060A12MP13C	XAF/XAF/XAUB30C	1.01	1.02	1.01
YPLC080B12MP13C	XAF/XAF/XAUB30C	1.00	1	1.03
YPLC080B12MP13C	XAF/XAF/XAUB36D	1.01	0.96	1.04
YPLC080B12MP13C	XAF/XAFC30C	1.00	1	1.03
YPLC080B12MP13C	XAF/XAFC36D	1.01	0.96	1.04
YPLC080B12MP13C	XAH/XAHB30C	0.99	0.96	1.03
YPLC080B12MP13C	XAH/XAHB36D	1.01	1.01	1.04
YPLC080B12MP13C	XAH/XAHC30C	0.99	0.96	1.02
YPLC080B12MP13C	XAH/XAHC36D	1.01	1.01	1.03

Heating performance data - 2 ton

Table 30: Heating performance data - 2 ton

Air temperature entering outdoor unit (°F)	Air temperature entering indoor unit (°F)	ID CFM								
		1500			1750			2000		
		MBH	COP	kW	MBH	COP	kW	MBH	COP	kW
60	60	26.00	4.42	1.72	26.50	4.63	1.68	27.10	4.83	1.64
	70	25.40	3.93	1.90	26.10	4.15	1.84	26.70	4.37	1.79
	80	24.30	3.45	2.07	25.00	3.64	2.02	25.60	3.82	1.96
47	60	22.50	3.98	1.65	23.00	4.14	1.63	23.60	4.31	1.61
	70	22.00	3.55	1.82	22.60	3.71	1.79	23.20	3.88	1.75
	80	21.20	3.13	1.99	21.70	3.27	1.95	22.30	3.41	1.92
40	60	20.60	3.73	1.61	21.10	3.87	1.60	21.70	4.01	1.59
	70	20.20	3.33	1.78	20.80	3.47	1.76	21.30	3.60	1.73
	80	19.50	2.94	1.95	20.00	3.06	1.92	20.50	3.17	1.89
30	60	17.90	3.36	1.56	18.40	3.47	1.56	19.00	3.58	1.56
	70	17.60	2.99	1.73	18.10	3.10	1.71	18.60	3.20	1.70
	80	17.10	2.66	1.88	17.50	2.75	1.87	17.90	2.83	1.85
17	60	14.30	2.82	1.49	14.90	2.91	1.51	15.50	2.99	1.52
	70	14.20	2.53	1.65	14.70	2.59	1.66	15.10	2.66	1.66
	80	14.00	2.28	1.80	14.30	2.32	1.81	14.60	2.36	1.81
10	60	12.40	2.52	1.45	13.10	2.59	1.48	13.70	2.66	1.50
	70	12.40	2.26	1.61	12.80	2.31	1.63	13.20	2.36	1.64
	80	12.30	2.05	1.76	12.50	2.08	1.77	12.80	2.10	1.78
0	60	9.70	2.05	1.39	10.40	2.11	1.44	11.00	2.18	1.48
	70	9.80	1.85	1.55	10.10	1.88	1.58	10.50	1.91	1.61
	80	9.90	1.71	1.70	10.10	1.71	1.72	10.20	1.71	1.75

Heating multipliers for determining the performance with other indoor sections

Heat multiplier airhandler - 2 ton

Table 31: Heat multiplier air handler - 2 ton

Air handler model	Indoor coil model	MBH	COP	kW
JHETB24CBAS2N1	—	1.08	1.25	0.88
JHETB30DBAS2N1	—	0.98	1.08	0.91
JHETB36DBAS2N1	—	0.97	1.09	0.89
JHETC36DBAS2N1	—	0.97	1.09	0.89
JHVTB24CBAC2N1	—	0.98	1.05	0.93
JHVTB36DBAC2N1	—	0.98	1.09	0.90
JHVTC36DBAC2N1	—	0.97	1.10	0.88
JMET08BS2N1A	XAF/XAF/XAUB30C	0.98	1.05	0.94
JMET08BS2N1A	XAF/XAF/XAUB36D	0.97	1.08	0.90
JMET08BS2N1A	XAH/XAHB30C	0.99	1.04	0.95
JMET08BS2N1A	XAH/XAHB36D	0.93	1.05	0.89
JMET12BS2N1A	XAF/XAF/XAUB30C	0.98	1.05	0.93
JMET12BS2N1A	XAF/XAF/XAUB36D	0.97	1.09	0.89
JMET12BS2N1A	XAH/XAHB30C	0.99	1.05	0.94
JMET12BS2N1A	XAH/XAHB36D	0.94	1.04	0.90
JMET12BS4N1A	XAF/XAF/XAUB36D	0.97	1.08	0.89
JMET12BS4N1A	XAH/XAHB36D	0.94	1.04	0.90
JMET12CS2N1A	XAF/XAFC30C	0.97	1.05	0.92
JMET12CS2N1A	XAF/XAFC36D	0.97	1.09	0.89
JMET12CS2N1A	XAH/XAHC30C	0.99	1.06	0.93
JMET12CS2N1A	XAH/XAHC36D	0.92	1.04	0.89
JMET16CS2N1A	XAF/XAFC30C	0.97	1.06	0.92
JMET16CS2N1A	XAF/XAFC36D	0.97	1.10	0.89
JMET16CS2N1A	XAH/XAHC30C	0.99	1.07	0.93
JMET16CS2N1A	XAH/XAHC36D	0.93	1.04	0.89
JMET16CS4N1A	XAFC30C	0.98	1.05	0.93
JMET16CS4N1A	XAFC36D	0.97	1.09	0.89
JMET16CS4N1A	XAHC30C	0.99	1.05	0.94
JMET16CS4N1A	XAHC36D	0.93	1.04	0.89
JMVT12BC2N1A	XAF/XAF/XAUB30C	0.98	1.05	0.93
JMVT12BC2N1A	XAF/XAF/XAUB36D	0.97	1.10	0.88
JMVT12BC2N1A	XAH/XAHB30C	0.99	1.05	0.94
JMVT12BC2N1A	XAH/XAHB36D	0.93	1.04	0.89

Heat multiplier furnace - 2 ton

Table 32: Heat multiplier furnace - 2 ton

Furnace model	Indoor coil model	MBH	COP	kW
TL8E060A12UH11	XAF/XAF/XAUB30C	0.98	1.02	0.97
TL8E060A12UH11	XAF/XAF/XAUB36D	0.98	1.06	0.92
TL8E060A12UH11	XAF/XAFA30D	0.99	1.05	0.94
TL8E060A12UH11	XAH/XAHB30C	1.00	1.03	0.97
TL8E060A12UH11	XAH/XAHB36D	0.94	1.01	0.93
TL8E080C16UH11	XAF/XAFC30C	0.98	1.03	0.96
TL8E080C16UH11	XAF/XAFC36D	0.99	1.07	0.92
TL8E080C16UH11	XAH/XAHC30C	1.00	1.04	0.96
TL8E080C16UH11	XAH/XAHC36D	0.93	1.02	0.92
TL9E060B12UH11	XAF/XAF/XAUB30C	0.99	1.00	0.99
TL9E060B12UH11	XAF/XAF/XAUB36D	1.00	1.04	0.96
TL9E060B12UH11	XAF/XAFC30C	0.99	1.00	0.99
TL9E060B12UH11	XAF/XAFC36D	0.99	1.04	0.95
TL9E060B12UH11	XAH/XAHB30C	1.01	1.01	1.01
TL9E060B12UH11	XAH/XAHB36D	0.95	0.98	0.96
TL9E060B12UH11	XAH/XAHC30C	1.01	1.02	0.99
TL9E060B12UH11	XAH/XAHC36D	0.94	0.99	0.95
TL9E080C16UH11	XAF/XAFC30C	0.98	1.03	0.96
TL9E080C16UH11	XAF/XAFC36D	0.98	1.07	0.92
TL9E080C16UH11	XAH/XAHC30C	1.00	1.04	0.97
TL9E080C16UH11	XAH/XAHC36D	0.93	1.02	0.92
TM8E040A12MP11	XAF/XAF/XAUB30C	0.99	1.02	0.97
TM8E040A12MP11	XAF/XAF/XAUB36D	0.97	1.07	0.91
TM8E040A12MP11	XAF/XAFA30D	0.98	1.04	0.94
TM8E040A12MP11	XAH/XAHB30C	0.99	1.04	0.96
TM8E040A12MP11	XAH/XAHB36D	0.94	1.01	0.94
TM8E060A12MP11	XAF/XAF/XAUB30C	0.99	1.02	0.97
TM8E060A12MP11	XAF/XAF/XAUB30C	0.99	1.02	0.97
TM8E060A12MP11	XAF/XAF/XAUB36D	0.98	1.06	0.93
TM8E060A12MP11	XAF/XAFA30D	0.98	1.05	0.93
TM8E060A12MP11	XAH/XAHB30C	1.00	1.03	0.97
TM8E060A12MP11	XAH/XAHB36D	0.94	1.01	0.93
TM8E080B12MP11	XAF/XAF/XAUB30C	0.99	1.02	0.97
TM8E080B12MP11	XAF/XAF/XAUB36D	0.98	1.06	0.93
TM8E080B12MP11	XAF/XAFC30C	0.99	1.02	0.97
TM8E080B12MP11	XAF/XAFC36D	0.98	1.06	0.93
TM8E080B12MP11	XAH/XAHB30C	1.00	1.03	0.97
TM8E080B12MP11	XAH/XAHB36D	0.94	1.01	0.93

Table 32: Heat multiplier furnace - 2 ton

Furnace model	Indoor coil model	MBH	COP	kW
TM8E080B12MP11	XAH/XAHC30C	1.00	1.03	0.97
TM8E080B12MP11	XAH/XAHC36D	0.94	1.01	0.93
TM8E080C16MP11	XAF/XAFC30C	0.99	1.03	0.96
TM8E080C16MP11	XAF/XAFC36D	0.98	1.07	0.92
TM8E080C16MP11	XAH/XAHC30C	1.00	1.04	0.96
TM8E080C16MP11	XAH/XAHC36D	0.94	1.02	0.92
TM8E100B12MP11	XAF/XAF/XAUB30C	0.99	1.02	0.97
TM8E100B12MP11	XAF/XAF/XAUB36D	0.99	1.06	0.94
TM8E100B12MP11	XAF/XAFC30C	0.99	1.03	0.96
TM8E100B12MP11	XAF/XAFC36D	0.99	1.06	0.93
TM8E100B12MP11	XAH/XAHB30C	0.99	1.03	0.96
TM8E100B12MP11	XAH/XAHB36D	0.94	1.00	0.94
TM8E100B12MP11	XAH/XAHC30C	0.99	1.04	0.95
TM8E100B12MP11	XAH/XAHC36D	0.94	1.00	0.94
TM8E100C16MP11	XAF/XAFC30C	0.98	1.03	0.95
TM8E100C16MP11	XAF/XAFC36D	0.99	1.07	0.92
TM8E100C16MP11	XAH/XAHC30C	1.00	1.04	0.96
TM8E100C16MP11	XAH/XAHC36D	0.94	1.02	0.92
TM8E120C16MP11	XAF/XAFC30C	0.98	1.03	0.95
TM8E120C16MP11	XAF/XAFC36D	0.99	1.07	0.92
TM8E120C16MP11	XAH/XAHC30C	1.00	1.05	0.96
TM8E120C16MP11	XAH/XAHC36D	0.93	1.02	0.91
TM8V060A12MP12C	XAF/XAF/XAUB30C	0.98	1.03	0.95
TM8V080B12MP12C	XAF/XAF/XAUB30C	0.99	1.01	0.98
TM8V080B12MP12C	XAF/XAF/XAUB36D	0.99	1.05	0.94
TM8V080B12MP12C	XAF/XAFC30C	0.99	1.01	0.98
TM8V080B12MP12C	XAF/XAFC36D	0.99	1.05	0.94
TM8V080B12MP12C	XAH/XAHB30C	1.01	1.01	0.99
TM8V080B12MP12C	XAH/XAHB36D	0.94	1.00	0.95
TM8V080B12MP12C	XAH/XAHC30C	1.01	1.02	0.99
TM8V080B12MP12C	XAH/XAHC36D	0.94	1.01	0.94
TM8Y060A12MP11	XAF/XAF/XAUB30C	0.99	1.02	0.97
TM8Y060A12MP11	XAF/XAF/XAUB36D	0.98	1.06	0.92
TM8Y060A12MP11	XAF/XAFA30D	1.00	1.03	0.97
TM8Y060A12MP11	XAH/XAHB30C	0.99	1.02	0.97
TM8Y060A12MP11	XAH/XAHB36D	0.94	1.03	0.91
TM8Y080B12MP11	XAF/XAF/XAUB30C	0.99	1.02	0.97
TM8Y080B12MP11	XAF/XAF/XAUB36D	0.98	1.06	0.92
TM8Y080B12MP11	XAF/XAFC30C	0.99	1.02	0.97

Table 32: Heat multiplier furnace - 2 ton

Furnace model	Indoor coil model	MBH	COP	kW
TM8Y080B12MP11	XAF/XAFC36D	0.98	1.07	0.92
TM8Y080B12MP11	XAH/XAHB30C	1.00	1.03	0.97
TM8Y080B12MP11	XAH/XAHB36D	0.94	1.02	0.92
TM8Y080B12MP11	XAH/XAHC30C	1.00	1.03	0.96
TM8Y080B12MP11	XAH/XAHC36D	0.94	1.02	0.92
TM8Y080C16MP11	XAF/XAFC30C	0.99	1.03	0.96
TM8Y080C16MP11	XAF/XAFC36D	0.97	1.07	0.90
TM8Y080C16MP11	XAH/XAHC30C	1.00	1.04	0.97
TM8Y080C16MP11	XAH/XAHC36D	0.94	1.02	0.92
TM8Y100C16MP11	XAF/XAFC30C	0.99	1.03	0.95
TM8Y100C16MP11	XAF/XAFC36D	0.97	1.07	0.90
TM8Y100C16MP11	XAH/XAHC30C	0.99	1.04	0.96
TM8Y100C16MP11	XAH/XAHC36D	0.94	1.02	0.92
TM9E026A08MP12	XAF/XAF/XAUB30C	0.99	1.00	1.00
TM9E026A08MP12	XAF/XAF/XAUB36D	0.99	1.03	0.96
TM9E026A08MP12	XAF/XAFA30D	0.99	1.02	0.97
TM9E026A08MP12	XAH/XAHB30C	1.01	1.00	1.01
TM9E026A08MP12	XAH/XAHB36D	0.96	0.99	0.96
TM9E040A10MP12	XAF/XAF/XAUB30C	1.00	1.00	1.00
TM9E040A10MP12	XAF/XAF/XAUB36D	1.01	1.01	1.00
TM9E040A10MP12	XAF/XAFA30D	1.00	1.01	0.99
TM9E040A10MP12	XAH/XAHB30C	1.01	1.00	1.00
TM9E040A10MP12	XAH/XAHB36D	0.96	0.96	0.99
TM9E060A10MP12	XAF/XAF/XAUB30C	0.99	0.99	1.00
TM9E060A10MP12	XAF/XAF/XAUB36D	0.99	1.03	0.96
TM9E060A10MP12	XAF/XAFA30D	1.00	1.02	0.98
TM9E060A10MP12	XAH/XAHB30C	1.01	1.00	1.01
TM9E060A10MP12	XAH/XAHB36D	0.95	0.98	0.97
TM9E060B12MP12	XAF/XAF/XAUB30C	0.99	1.01	0.98
TM9E060B12MP12	XAF/XAF/XAUB36D	1.00	1.03	0.97
TM9E060B12MP12	XAF/XAFC30C	0.99	1.01	0.98
TM9E060B12MP12	XAF/XAFC36D	1.00	1.03	0.97
TM9E060B12MP12	XAH/XAHB30C	1.00	1.02	0.98
TM9E060B12MP12	XAH/XAHB36D	0.95	0.98	0.97
TM9E060B12MP12	XAH/XAHC30C	1.00	1.02	0.98
TM9E060B12MP12	XAH/XAHC36D	0.95	0.98	0.96
TM9E080B12MP12	XAF/XAF/XAUB30C	0.99	1.02	0.98
TM9E080B12MP12	XAF/XAF/XAUB36D	0.99	1.05	0.94
TM9E080B12MP12	XAF/XAFC30C	0.99	1.02	0.98

Table 32: Heat multiplier furnace - 2 ton

Furnace model	Indoor coil model	MBH	COP	kW
TM9E080B12MP12	XAF/XAFC36D	0.99	1.06	0.94
TM9E080B12MP12	XAH/XAHB30C	0.99	1.02	0.97
TM9E080B12MP12	XAH/XAHB36D	0.95	1.00	0.95
TM9E080B12MP12	XAH/XAHC30C	1.01	1.03	0.98
TM9E080B12MP12	XAH/XAHC36D	0.94	1.01	0.94
TM9E080C16MP12	XAF/XAFC30C	0.98	1.03	0.96
TM9E080C16MP12	XAF/XAFC36D	0.98	1.07	0.92
TM9E080C16MP12	XAH/XAHC30C	1.00	1.04	0.96
TM9E080C16MP12	XAH/XAHC36D	0.93	1.02	0.92
TM9E100C16MP12	XAF/XAFC30C	0.99	1.03	0.96
TM9E100C16MP12	XAF/XAFC36D	0.98	1.07	0.92
TM9E100C16MP12	XAH/XAHC30C	1.00	1.04	0.96
TM9E100C16MP12	XAH/XAHC36D	0.94	1.02	0.92
TM9V040A10MP12C	XAF/XAF/XAUB30C	1.00	1.00	1.00
TM9V040A10MP12C	XAF/XAF/XAUB36D	1.00	1.02	0.98
TM9V040A10MP12C	XAF/XAFA30D	0.99	1.03	0.97
TM9V040A10MP12C	XAH/XAHB30C	1.00	1.00	1.00
TM9V040A10MP12C	XAH/XAHB36D	0.95	0.99	0.96
TM9V060B12MP12C	XAF/XAF/XAUB30C	0.99	1.02	0.97
TM9V060B12MP12C	XAF/XAF/XAUB36D	0.98	1.06	0.93
TM9V060B12MP12C	XAF/XAFC30C	0.99	1.00	0.99
TM9V060B12MP12C	XAF/XAFC36D	0.99	1.05	0.94
TM9V060B12MP12C	XAH/XAHB30C	1.00	1.02	0.98
TM9V060B12MP12C	XAH/XAHB36D	0.95	1.01	0.94
TM9V060B12MP12C	XAH/XAHC30C	1.01	1.02	0.99
TM9V060B12MP12C	XAH/XAHC36D	0.95	1.00	0.95
TM9V080B12MP12C	XAF/XAF/XAUB30C	0.99	1.03	0.96
TM9V080B12MP12C	XAF/XAF/XAUB36D	0.98	1.06	0.92
TM9V080B12MP12C	XAF/XAFC30C	0.99	1.03	0.96
TM9V080B12MP12C	XAF/XAFC36D	0.98	1.07	0.91
TM9V080B12MP12C	XAH/XAHB30C	1.00	1.03	0.96
TM9V080B12MP12C	XAH/XAHB36D	0.94	1.02	0.93
TM9V080B12MP12C	XAH/XAHC30C	1.00	1.03	0.96
TM9V080B12MP12C	XAH/XAHC36D	0.93	1.02	0.91
TM9Y040A10MP11	XAF/XAF/XAUB30C	1.01	0.97	1.04
TM9Y040A10MP11	XAF/XAF/XAUB36D	0.98	1.03	0.95
TM9Y040A10MP11	XAF/XAFA30D	0.98	1.02	0.96
TM9Y040A10MP11	XAH/XAHB30C	1.00	0.99	1.01
TM9Y040A10MP11	XAH/XAHB36D	0.95	1.00	0.96

Table 32: Heat multiplier furnace - 2 ton

Furnace model	Indoor coil model	MBH	COP	kW
TM9Y060B12MP11	XAF/XAF/XAUB30C	0.99	1.01	0.98
TM9Y060B12MP11	XAF/XAF/XAUB36D	0.98	1.04	0.94
TM9Y060B12MP11	XAF/XAFC30C	0.99	1.01	0.98
TM9Y060B12MP11	XAF/XAFC36D	0.99	1.05	0.94
TM9Y060B12MP11	XAH/XAHB30C	1.00	1.01	0.99
TM9Y060B12MP11	XAH/XAHB36D	0.95	1.00	0.94
TM9Y060B12MP11	XAH/XAHC30C	1.01	1.02	0.99
TM9Y060B12MP11	XAH/XAHC36D	0.95	1.01	0.94
TM9Y080B12MP11	XAF/XAF/XAUB30C	0.99	1.02	0.97
TM9Y080B12MP11	XAF/XAF/XAUB36D	0.98	1.05	0.93
TM9Y080B12MP11	XAF/XAFC30C	0.99	1.02	0.97
TM9Y080B12MP11	XAF/XAFC36D	0.98	1.06	0.92
TM9Y080B12MP11	XAH/XAHB30C	1.00	1.02	0.97
TM9Y080B12MP11	XAH/XAHB36D	0.94	1.01	0.94
TM9Y080B12MP11	XAH/XAHC30C	1.00	1.03	0.97
TM9Y080B12MP11	XAH/XAHC36D	0.94	1.02	0.92
TM9Y080C16MP11	XAF/XAFC30C	0.99	1.02	0.96
TM9Y080C16MP11	XAF/XAFC36D	0.98	1.07	0.91
TM9Y080C16MP11	XAH/XAHC30C	0.99	1.03	0.97
TM9Y080C16MP11	XAH/XAHC36D	0.94	1.02	0.92
TM9Y100C16MP11	XAF/XAFC30C	0.99	1.03	0.96
TM9Y100C16MP11	XAF/XAFC36D	0.99	1.06	0.93
TM9Y100C16MP11	XAH/XAHC30C	1.00	1.03	0.97
TM9Y100C16MP11	XAH/XAHC36D	0.94	1.01	0.93
TMLE040A12MP11	XAF/XAF/XAUB30C	0.99	1.02	0.97
TMLE040A12MP11	XAF/XAF/XAUB36D	0.97	1.07	0.91
TMLE040A12MP11	XAF/XAFA30D	0.98	1.04	0.94
TMLE040A12MP11	XAH/XAHB30C	0.99	1.04	0.96
TMLE040A12MP11	XAH/XAHB36D	0.94	1.01	0.94
TMLE060A12MP11	XAF/XAF/XAUB30C	0.99	1.02	0.97
TMLE060A12MP11	XAF/XAF/XAUB30C	0.99	1.02	0.97
TMLE060A12MP11	XAF/XAF/XAUB36D	0.98	1.06	0.93
TMLE060A12MP11	XAF/XAFA30D	0.98	1.05	0.93
TMLE060A12MP11	XAH/XAHB30C	1.00	1.03	0.97
TMLE060A12MP11	XAH/XAHB36D	0.94	1.01	0.93
TMLE080B12MP11	XAF/XAF/XAUB30C	0.99	1.02	0.97
TMLE080B12MP11	XAF/XAF/XAUB36D	0.98	1.06	0.93
TMLE080B12MP11	XAF/XAFC30C	0.99	1.02	0.97
TMLE080B12MP11	XAF/XAFC36D	0.98	1.06	0.93

Table 32: Heat multiplier furnace - 2 ton

Furnace model	Indoor coil model	MBH	COP	kW
TMLE080B12MP11	XAH/XAHB30C	1.00	1.03	0.97
TMLE080B12MP11	XAH/XAHB36D	0.94	1.01	0.93
TMLE080B12MP11	XAH/XAHC30C	1.00	1.03	0.97
TMLE080B12MP11	XAH/XAHC36D	0.94	1.01	0.93
TMLE080C16MP11	XAF/XAFC30C	0.99	1.03	0.96
TMLE080C16MP11	XAF/XAFC36D	0.98	1.07	0.92
TMLE080C16MP11	XAH/XAHC30C	1.00	1.04	0.96
TMLE080C16MP11	XAH/XAHC36D	0.94	1.02	0.92
TMLE100B12MP11	XAF/XAF/XAUB30C	0.99	1.02	0.97
TMLE100B12MP11	XAF/XAF/XAUB36D	0.99	1.06	0.94
TMLE100B12MP11	XAF/XAFC30C	0.99	1.03	0.96
TMLE100B12MP11	XAF/XAFC36D	0.99	1.06	0.93
TMLE100B12MP11	XAH/XAHB30C	0.99	1.03	0.96
TMLE100B12MP11	XAH/XAHB36D	0.94	1.00	0.94
TMLE100B12MP11	XAH/XAHC30C	0.99	1.04	0.95
TMLE100B12MP11	XAH/XAHC36D	0.94	1.00	0.94
TMLE100C16MP11	XAF/XAFC30C	0.98	1.03	0.95
TMLE100C16MP11	XAF/XAFC36D	0.99	1.07	0.92
TMLE100C16MP11	XAH/XAHC30C	1.00	1.04	0.96
TMLE100C16MP11	XAH/XAHC36D	0.94	1.02	0.92
TMLE120C16MP11	XAF/XAFC30C	0.98	1.03	0.95
TMLE120C16MP11	XAF/XAFC36D	0.99	1.07	0.92
TMLE120C16MP11	XAH/XAHC30C	1.00	1.05	0.96
TMLE120C16MP11	XAH/XAHC36D	0.93	1.02	0.91
TMLV060A12MP12C	XAF/XAF/XAUB30C	0.98	1.03	0.95
TP9C060B12MP13C	XAF/XAF/XAUB30C	0.99	1.02	0.97
TP9C060B12MP13C	XAF/XAF/XAUB36D	0.98	1.06	0.93
TP9C060B12MP13C	XAF/XAFC30C	0.99	1.00	0.99
TP9C060B12MP13C	XAF/XAFC36D	0.99	1.05	0.94
TP9C060B12MP13C	XAH/XAHB30C	1.00	1.02	0.98
TP9C060B12MP13C	XAH/XAHB36D	0.95	1.01	0.94
TP9C060B12MP13C	XAH/XAHC30C	1.01	1.02	0.99
TP9C060B12MP13C	XAH/XAHC36D	0.95	1.00	0.95
TP9C080B12MP13C	XAF/XAF/XAUB30C	0.99	1.03	0.96
TP9C080B12MP13C	XAF/XAF/XAUB36D	0.98	1.06	0.92
TP9C080B12MP13C	XAF/XAFC30C	0.99	1.03	0.96
TP9C080B12MP13C	XAF/XAFC36D	0.98	1.07	0.91
TP9C080B12MP13C	XAH/XAHB30C	1.00	1.03	0.96
TP9C080B12MP13C	XAH/XAHB36D	0.94	1.02	0.93

Table 32: Heat multiplier furnace - 2 ton

Furnace model	Indoor coil model	MBH	COP	kW
TP9C080B12MP13C	XAH/XAHC30C	1.00	1.03	0.96
TP9C080B12MP13C	XAH/XAHC36D	0.93	1.02	0.91
TPLC060A12MP13C	XAF/XAF/XAUB30C	0.98	1.03	0.95
TPLC080B12MP13C	XAF/XAF/XAUB30C	0.99	1.01	0.98
TPLC080B12MP13C	XAF/XAF/XAUB36D	0.99	1.05	0.94
TPLC080B12MP13C	XAF/XAFC30C	0.99	1.01	0.98
TPLC080B12MP13C	XAF/XAFC36D	0.99	1.05	0.94
TPLC080B12MP13C	XAH/XAHB30C	1.01	1.01	0.99
TPLC080B12MP13C	XAH/XAHB36D	0.94	1.00	0.95
TPLC080B12MP13C	XAH/XAHC30C	1.01	1.02	0.99
TPLC080B12MP13C	XAH/XAHC36D	0.94	1.01	0.94
YP9C060B12MP13C	XAF/XAF/XAUB30C	0.99	1.02	0.97
YP9C060B12MP13C	XAF/XAF/XAUB36D	0.98	1.06	0.93
YP9C060B12MP13C	XAF/XAFC30C	0.99	1.00	0.99
YP9C060B12MP13C	XAF/XAFC36D	0.99	1.05	0.94
YP9C060B12MP13C	XAH/XAHB30C	1.00	1.02	0.98
YP9C060B12MP13C	XAH/XAHB36D	0.95	1.01	0.94
YP9C060B12MP13C	XAH/XAHC30C	1.01	1.02	0.99
YP9C060B12MP13C	XAH/XAHC36D	0.95	1.00	0.95
YP9C080B12MP13C	XAF/XAF/XAUB30C	0.99	1.03	0.96
YP9C080B12MP13C	XAF/XAF/XAUB36D	0.98	1.06	0.92
YP9C080B12MP13C	XAF/XAFC30C	0.99	1.03	0.96
YP9C080B12MP13C	XAF/XAFC36D	0.98	1.07	0.91
YP9C080B12MP13C	XAH/XAHB30C	1.00	1.03	0.96
YP9C080B12MP13C	XAH/XAHB36D	0.94	1.02	0.93
YP9C080B12MP13C	XAH/XAHC30C	1.00	1.03	0.96
YP9C080B12MP13C	XAH/XAHC36D	0.93	1.02	0.91
YPLC060A12MP13C	XAF/XAF/XAUB30C	0.98	1.03	0.95
YPLC080B12MP13C	XAF/XAF/XAUB30C	0.99	1.01	0.98
YPLC080B12MP13C	XAF/XAF/XAUB36D	0.99	1.05	0.94
YPLC080B12MP13C	XAF/XAFC30C	0.99	1.01	0.98
YPLC080B12MP13C	XAF/XAFC36D	0.99	1.05	0.94
YPLC080B12MP13C	XAH/XAHB30C	1.01	1.01	0.99
YPLC080B12MP13C	XAH/XAHB36D	0.94	1.00	0.95
YPLC080B12MP13C	XAH/XAHC30C	1.01	1.02	0.99
YPLC080B12MP13C	XAH/XAHC36D	0.94	1.01	0.94

Performance data 2.5 ton

Condenser only performance data - 2.5 ton

Table 33: Condenser only performance data - 2.5 ton

Saturated suction at compressor		Outdoor temperature															
Temperature	Pressure	55°F		65°F		75°F		85°F		95°F		105°F		115°F		125°F	
(°F)	(psig)	MBH	kW	MBH	kW	MBH	kW	MBH	kW	MBH	kW	MBH	kW	MBH	kW	MBH	kW
35	107	30.1	1.40	28.6	1.52	27.0	1.68	25.4	1.89	23.6	2.12	21.9	2.40	20.0	2.70	18.0	3.03
40	118	33.2	1.43	31.5	1.54	29.7	1.70	28.0	1.91	26.1	2.14	24.2	2.41	22.2	2.72	20.1	3.05
45	130	36.3	1.46	34.5	1.57	32.7	1.73	30.7	1.93	28.7	2.17	26.7	2.44	24.5	2.74	22.3	3.07
50	143	39.7	1.50	37.8	1.61	35.7	1.77	33.7	1.97	31.5	2.21	29.3	2.47	27.7	2.77	24.6	3.10
55	156	43.3	1.55	41.2	1.66	39.0	1.82	36.8	2.02	34.4	2.25	32.0	2.52	29.5	2.82	27.0	3.14
60	170	47.1	1.62	44.8	1.73	42.4	1.89	40.0	2.08	37.5	2.31	34.9	2.58	32.3	2.87	29.5	3.19

Condenser only data table notes



Note:

1. For Outdoor Unit (Condenser) performance only. Data does not include the effects of air handler power or heat.
2. Performance based on 15°F subcooling and 15°F superheat at the Outdoor Unit base valves.
 - a. Increase capacity by 1% for each 2°F increase in subcooling.
 - b. Decrease capacity by 1% for each 2°F decrease in subcooling.
3. Maximum recommended condensing temperature is 140°F.

Cooling performance data - 2.5 ton

Table 34: Cooling performance data - 2.5 ton

Air temperature entering outdoor unit (°F)	Indoor CFM	750						1000						1250					
		ID DB (°F)		80	80	75	80	80	80	80	75	80	80	80	80	75	80	80	
		ID WB (°F)	57	62	62	67	72	57	62	62	67	72	57	62	62	67	72		
55	TC	28.8	31.0	31.6	34.3	38.2	30.5	32.6	33.1	35.9	39.4	34.2	34.1	34.5	37.5	40.6			
	SC	28.2	27.0	23.5	22.7	19.4	30.5	30.3	25.6	24.9	19.8	33.4	33.6	27.7	27.1	20.3			
	kW	1.62	1.64	1.64	1.65	1.67	1.73	1.73	1.74	1.75	1.77	1.83	1.83	1.83	1.85	1.88			
65	TC	28.0	29.9	30.5	33.2	36.9	29.7	31.4	31.8	34.6	38.2	33.1	32.9	33.1	36.1	39.4			
	SC	27.5	26.6	23.0	22.3	18.8	29.7	29.5	25.2	24.5	19.5	32.4	32.5	27.4	26.8	20.2			
	kW	1.77	1.78	1.78	1.79	1.80	1.87	1.87	1.87	1.88	1.91	1.97	1.96	1.97	1.98	2.01			
75	TC	27.1	28.7	29.2	31.9	35.6	28.8	30.2	30.4	33.2	36.8	32.0	31.6	31.7	34.5	38.1			
	SC	26.6	26.1	22.4	21.8	18.1	28.8	28.7	24.6	24.0	19.0	31.2	31.3	26.9	26.3	19.9			
	kW	1.94	1.95	1.95	1.96	1.98	2.04	2.04	2.05	2.06	2.08	2.14	2.14	2.14	2.15	2.18			
85	TC	26.1	27.5	27.9	30.5	34.1	27.8	28.9	29.0	31.7	35.3	30.7	30.3	30.1	32.9	36.5			
	SC	25.7	25.4	21.7	21.2	17.4	27.8	27.7	24.0	23.5	18.5	30.0	30.0	26.2	25.8	19.5			
	kW	2.16	2.16	2.17	2.17	2.19	2.26	2.26	2.26	2.27	2.28	2.35	2.35	2.35	2.36	2.38			
95	TC	25.1	26.1	26.5	29.0	32.5	26.7	27.5	27.5	30.1	33.6	29.3	28.9	28.5	31.1	34.6			
	SC	24.7	24.6	20.9	20.5	16.6	26.7	26.6	23.2	22.7	17.8	28.6	28.6	25.4	25.0	19.0			
	kW	2.41	2.41	2.42	2.42	2.43	2.50	2.50	2.51	2.51	2.52	2.60	2.60	2.60	2.60	2.62			
105	TC	23.9	24.6	25.0	27.5	30.8	25.5	26.1	25.9	28.4	31.7	27.7	27.5	26.7	29.3	32.6			
	SC	23.6	23.7	20.1	19.6	15.7	25.5	25.5	22.3	21.9	17.0	27.1	27.3	24.4	24.1	18.2			
	kW	2.70	2.70	2.70	2.70	2.71	2.79	2.79	2.79	2.79	2.79	2.80	2.88	2.88	2.88	2.90			
115	TC	22.7	23.1	23.4	25.8	29.0	24.2	24.5	24.2	26.5	29.6	26.1	26.0	24.9	27.3	30.2			
	SC	22.4	22.7	19.1	18.7	14.8	24.2	24.2	21.2	20.9	16.1	25.5	25.8	23.3	23.1	17.3			
	kW	3.02	3.02	3.03	3.02	3.02	3.11	3.11	3.12	3.11	3.11	3.20	3.20	3.21	3.20	3.21			
125	TC	21.3	21.5	21.8	24.0	27.1	22.8	23.0	22.4	24.6	27.4	24.3	24.5	22.9	25.3	27.7			
	SC	21.1	21.5	18.1	17.7	13.9	22.8	22.9	20.0	19.8	15.0	23.8	24.3	22.0	21.9	16.2			
	kW	3.38	3.38	3.39	3.38	3.37	3.47	3.47	3.48	3.47	3.46	3.55	3.56	3.56	3.56	3.55			

Cooling multipliers for determining the performance with other indoor sections

For dry bulb temperatures different than those listed (between 73 °F - 87 °F), sensible capacity increases by 1060 Btuh per 1000 CFM per degree above the listed temperature and decreases by 1060 Btuh per 1000 CFM per degree below the listed temperature.

Cool multiplier airhandler - 2.5 ton

Table 35: Cool multiplier air handler - 2.5 ton

Air handler model	Indoor coil model	TC	SC	kW
JHETB30DBAS2N1	—	1.00	0.97	0.98
JHETB36DBAS2N1	—	1.02	0.99	0.99
JHETC36DBAS2N1	—	1.03	1	0.97
JHETC42FBAS2N1	—	1.03	1.02	0.99
JHVTB36DBAC2N1	—	1.02	0.98	0.98
JHVTC36DBAC2N1	—	1.03	1	0.96
JHVTC42FBAC2N1	—	1.04	1.02	0.99
JHVTD42FBAC2N1	—	1.04	1.02	0.98
JMET12BS2N1A	XAF/XAF/XAUB36D	1.02	0.99	0.98
JMET12BS2N1A	XAH/XAHB36D	0.99	0.94	0.97
JMET12BS4N1A	XAF/XAF/XAUB36D	1.03	0.99	0.97
JMET12CS2N1A	XAF/XAF/XAUC48F	1.03	1	0.99
JMET12CS2N1A	XAF/XAFC36D	1.02	0.99	0.97
JMET12CS2N1A	XAH/XAHC36D	0.99	0.97	0.97
JMET12CS2N1A	XAH/XAHC48F	1.02	1.01	0.98
JMET12CS4N1A	XAF/XAUC48F	1.03	1.01	0.99
JMET12CS4N1A	XAFC36D	1.02	0.99	0.97
JMET12CS4N1A	XAHC36D	0.98	0.97	0.97
JMET12CS4N1A	XAHC48F	1.01	1.01	0.98
JMET16CS2N1A	XAF/XAF/XAUC48F	1.03	1	0.99
JMET16CS2N1A	XAF/XAFC36D	1.03	1	0.97
JMET16CS2N1A	XAH/XAHC36D	0.99	0.97	0.97
JMET16CS2N1A	XAH/XAHC48F	1.02	1.01	0.99
JMET16CS4N1A	XAF/XAUC48F	1.03	1.02	0.99
JMET16CS4N1A	XAFC36D	1.03	1	0.97
JMET16CS4N1A	XAHC36D	0.99	0.97	0.97
JMET16CS4N1A	XAHC48F	1.02	1.01	0.99
JMVT12BC2N1A	XAF/XAF/XAUB36D	1.02	1	0.98
JMVT12BC2N1A	XAH/XAHB36D	0.98	0.96	0.99
JMVT16CC2N1A	XAF/XAF/XAUC48F	1.03	1.02	0.99
JMVT16CC2N1A	XAF/XAFC36D	1.03	1	0.97
JMVT16CC2N1A	XAH/XAHC36D	0.99	0.97	0.97
JMVT16CC2N1A	XAH/XAHC48F	1.02	1.02	0.99

Table 35: Cool multiplier air handler - 2.5 ton

Air handler model	Indoor coil model	TC	SC	kW
JMVT17CC2N1A	XAF/XAF/XAUC48F	1.04	1.02	0.99
JMVT17CC2N1A	XAF/XAFC36D	1.02	0.99	0.97
JMVT17CC2N1A	XAH/XAHC36D	0.99	0.97	0.97
JMVT17CC2N1A	XAH/XAHC48F	1.02	1.02	0.98

Cool multiplier furnace - 2.5 ton

Table 36: Cool multiplier furnace - 2.5 ton

Furnace model	Indoor coil model	TC	SC	kW
TL8E060A12UH11	XAF/XAF/XAUB36D	1.02	0.98	0.99
TL8E060A12UH11	XAF/XAFA30D	1.02	0.98	1
TL8E060A12UH11	XAH/XAHB36D	0.97	0.94	1.03
TL8E080C16UH11	XAF/XAF/XAUC48F	1.02	0.99	1.01
TL8E080C16UH11	XAF/XAFC36D	1.01	0.98	1
TL8E080C16UH11	XAF/XAFD48F	1.02	0.99	1.01
TL8E080C16UH11	XAH/XAHC36D	0.98	0.96	1
TL8E080C16UH11	XAH/XAHC48F	1.01	1	1.01
TL8E080C16UH11	XAH/XAHD48F	1.01	1	1.01
TL8E100C20UH11	XAF/XAFC36D	1.02	1	0.98
TL8E100C20UH11	XAH/XAHC36D	0.99	0.97	0.99
TL9E060B12UH11	XAF/XAF/XAUB36D	1.01	0.97	1.01
TL9E060B12UH11	XAF/XAF/XAUC48F	1.01	0.99	1.06
TL9E060B12UH11	XAF/XAFC36D	1.02	0.98	1.01
TL9E060B12UH11	XAH/XAHB36D	0.98	0.93	1.02
TL9E060B12UH11	XAH/XAHC36D	0.98	0.94	1.01
TL9E060B12UH11	XAH/XAHC48F	1.00	0.99	1.03
TL9E080C16UH11	XAF/XAF/XAUC48F	1.03	1	1.01
TL9E080C16UH11	XAF/XAFC36D	1.01	0.98	1
TL9E080C16UH11	XAF/XAFD48F	1.03	1	1.01
TL9E080C16UH11	XAH/XAHC36D	0.98	0.96	1
TL9E080C16UH11	XAH/XAHC48F	1.01	1	1.01
TL9E080C16UH11	XAH/XAHD48F	1.01	1	1.01
TM8E040A12MP11	XAF/XAF/XAUB36D	1.01	0.98	1.01
TM8E040A12MP11	XAF/XAFA30D	1.02	0.98	1.01
TM8E040A12MP11	XAH/XAHB36D	0.98	0.95	1.02
TM8E060A12MP11	XAF/XAF/XAUB36D	1.01	0.98	1.03
TM8E060A12MP11	XAF/XAFA30D	1.02	0.98	1
TM8E060A12MP11	XAH/XAHB36D	0.97	0.95	1.03
TM8E080B12MP11	XAF/XAF/XAUB36D	1.01	0.98	1.03
TM8E080B12MP11	XAF/XAF/XAUC48F	1.03	0.99	1.02

Table 36: Cool multiplier furnace - 2.5 ton

Furnace model	Indoor coil model	TC	SC	kW
TM8E080B12MP11	XAF/XAFC36D	1.01	0.98	1.03
TM8E080B12MP11	XAH/XAHB36D	0.97	0.94	1.03
TM8E080B12MP11	XAH/XAHC36D	0.97	0.95	1.02
TM8E080B12MP11	XAH/XAHC48F	1.01	1	1.04
TM8E080C16MP11	XAF/XAF/XAUC48F	1.03	0.99	1.01
TM8E080C16MP11	XAF/XAFC36D	1.01	0.98	1
TM8E080C16MP11	XAF/XAFD48F	1.02	1.01	1.01
TM8E080C16MP11	XAH/XAHC36D	0.98	0.96	1
TM8E080C16MP11	XAH/XAHC48F	1.01	1	1
TM8E080C16MP11	XAH/XAHD48F	1.01	1.01	1.02
TM8E100B12MP11	XAF/XAF/XAUB36D	1.02	0.98	0.99
TM8E100B12MP11	XAF/XAF/XAUC48F	1.03	1	1.02
TM8E100B12MP11	XAF/XAFC36D	1.02	0.99	0.99
TM8E100B12MP11	XAH/XAHB36D	0.97	0.95	1.02
TM8E100B12MP11	XAH/XAHC36D	0.98	0.96	1.02
TM8E100B12MP11	XAH/XAHC48F	1.01	1	1.01
TM8E100C16MP11	XAF/XAF/XAUC48F	1.03	0.99	1.02
TM8E100C16MP11	XAF/XAFC36D	1.01	0.98	0.99
TM8E100C16MP11	XAF/XAFD48F	1.02	0.99	1
TM8E100C16MP11	XAH/XAHC36D	0.98	0.96	1
TM8E100C16MP11	XAH/XAHC48F	1.01	1	1.01
TM8E100C16MP11	XAH/XAHD48F	1.01	0.99	1.01
TM8E120C16MP11	XAF/XAF/XAUC48F	1.03	1	1.01
TM8E120C16MP11	XAF/XAFC36D	1.01	0.98	0.99
TM8E120C16MP11	XAF/XAFD48F	1.03	1	1.01
TM8E120C16MP11	XAH/XAHC36D	0.99	0.95	0.98
TM8E120C16MP11	XAH/XAHC48F	1.01	1	1
TM8E120C16MP11	XAH/XAHD48F	1.01	1	1.01
TM8V060A12MP12C	XAF/XAF/XAUB36D	1.01	0.97	1.01
TM8V060A12MP12C	XAF/XAFA30D	1.02	0.98	1.02
TM8V060A12MP12C	XAH/XAHB36D	0.97	0.95	1.03
TM8V080B12MP12C	XAF/XAF/XAUB36D	1.02	0.98	1.01
TM8V080B12MP12C	XAF/XAF/XAUC48F	1.01	0.98	1.06
TM8V080B12MP12C	XAF/XAFC36D	1.00	0.97	1.04
TM8V080B12MP12C	XAH/XAHB36D	0.97	0.93	1.03
TM8V080B12MP12C	XAH/XAHC36D	0.97	0.94	1.04
TM8V080B12MP12C	XAH/XAHC36D	0.97	0.94	1.04
TM8V080B12MP12C	XAH/XAHC48F	1.00	0.98	1.05
TM8V080C16MP12C	XAF/XAF/XAUC48F	1.02	1.01	1.02

Table 36: Cool multiplier furnace - 2.5 ton

Furnace model	Indoor coil model	TC	SC	kW
TM8V080C16MP12C	XAF/XAFC36D	1.01	0.98	1.02
TM8V080C16MP12C	XAF/XAFD48F	1.02	1.01	1.02
TM8V080C16MP12C	XAH/XAHC36D	0.98	0.96	1.02
TM8V080C16MP12C	XAH/XAHC48F	1.01	1.01	1.02
TM8V080C16MP12C	XAH/XAHD48F	1.01	1.01	1.02
TM8V100C16MP12C	XAF/XAF/XAUC48F	1.02	1.01	1.02
TM8V100C16MP12C	XAF/XAFC36D	1.02	0.99	1.01
TM8V100C16MP12C	XAF/XAFD48F	1.02	1.01	1.02
TM8V100C16MP12C	XAH/XAHC36D	0.98	0.96	1.02
TM8V100C16MP12C	XAH/XAHC48F	1.01	1	1.01
TM8V100C16MP12C	XAH/XAHD48F	1.01	1.01	1.02
TM8Y060A12MP11	XAF/XAF/XAUB36D	1.02	0.98	1.02
TM8Y060A12MP11	XAF/XAFA30D	1.01	0.98	1.02
TM8Y060A12MP11	XAH/XAHB36D	0.97	0.94	1.02
TM8Y080B12MP11	XAF/XAF/XAUB36D	1.01	0.98	1.01
TM8Y080B12MP11	XAF/XAF/XAUC48F	1.02	1	1.03
TM8Y080B12MP11	XAF/XAFC36D	1.01	0.98	1
TM8Y080B12MP11	XAH/XAHB36D	0.98	0.95	1.02
TM8Y080B12MP11	XAH/XAHC36D	0.97	0.95	1.01
TM8Y080B12MP11	XAH/XAHC48F	1.01	1	1.03
TM8Y080C16MP11	XAF/XAF/XAUC48F	1.02	1	1
TM8Y080C16MP11	XAF/XAFC36D	1.02	0.99	0.98
TM8Y080C16MP11	XAF/XAFD48F	1.02	1	1
TM8Y080C16MP11	XAH/XAHC36D	0.99	0.96	0.99
TM8Y080C16MP11	XAH/XAHC48F	1.01	1	1
TM8Y080C16MP11	XAH/XAHD48F	1.01	1	1.01
TM8Y100C16MP11	XAF/XAF/XAUC48F	1.02	1	1
TM8Y100C16MP11	XAF/XAFC36D	1.02	0.99	0.98
TM8Y100C16MP11	XAF/XAFD48F	1.02	1	1
TM8Y100C16MP11	XAH/XAHC36D	0.99	0.96	0.99
TM8Y100C16MP11	XAH/XAHC48F	1.01	1	1
TM8Y100C16MP11	XAH/XAHD48F	1.01	1	1.01
TM8Y100C20MP11	XAH/XAHC36D	0.98	0.95	0.98
TM8Y120C20MP11	XAH/XAHC36D	0.98	0.95	0.98
TM9E026A08MP12	XAF/XAF/XAUB36D	1.01	0.97	1.01
TM9E040A10MP12	XAF/XAF/XAUB36D	1.01	0.97	1.03
TM9E040A10MP12	XAF/XAFA30D	1.01	0.97	1.03
TM9E040A10MP12	XAH/XAHB36D	0.97	0.93	1.03
TM9E060A10MP12	XAF/XAF/XAUB36D	1.01	0.97	1.04

Table 36: Cool multiplier furnace - 2.5 ton

Furnace model	Indoor coil model	TC	SC	kW
TM9E060A10MP12	XAF/XAFA30D	1.01	0.97	1.03
TM9E060A10MP12	XAH/XAHB36D	0.97	0.93	1.02
TM9E060B12MP12	XAF/XAF/XAUB36D	1.00	0.97	1.05
TM9E060B12MP12	XAF/XAF/XAUC48F	1.02	0.99	1.04
TM9E060B12MP12	XAF/XAFC36D	1.01	0.98	1.02
TM9E060B12MP12	XAH/XAHB36D	0.97	0.94	1.03
TM9E060B12MP12	XAH/XAHC36D	0.97	0.94	1.01
TM9E060B12MP12	XAH/XAHC48F	1.00	0.99	1.04
TM9E080B12MP12	XAF/XAF/XAUB36D	1.01	0.98	1.03
TM9E080B12MP12	XAF/XAF/XAUC48F	1.02	0.99	1.02
TM9E080B12MP12	XAF/XAFC36D	1.02	0.98	0.99
TM9E080B12MP12	XAH/XAHB36D	0.97	0.94	1.03
TM9E080B12MP12	XAH/XAHC36D	0.97	0.95	1.02
TM9E080B12MP12	XAH/XAHC48F	1.01	0.99	1.02
TM9E080C16MP12	XAF/XAF/XAUC48F	1.02	0.99	1.01
TM9E080C16MP12	XAF/XAFC36D	1.02	0.99	1.01
TM9E080C16MP12	XAF/XAFD48F	1.02	0.99	1.01
TM9E080C16MP12	XAH/XAHC36D	0.98	0.96	1
TM9E080C16MP12	XAH/XAHC48F	1.01	1	1.01
TM9E080C16MP12	XAH/XAHD48F	1.01	1	1.02
TM9E100C16MP12	XAF/XAF/XAUC48F	1.03	1.01	1.02
TM9E100C16MP12	XAF/XAFC36D	1.02	0.99	1.01
TM9E100C16MP12	XAF/XAFD48F	1.03	1.01	1.02
TM9E100C16MP12	XAH/XAHC36D	0.98	0.96	1
TM9E100C16MP12	XAH/XAHC48F	1.01	1	1
TM9E100C16MP12	XAH/XAHD48F	1.01	1	1.02
TM9V040A10MP12C	XAF/XAF/XAUB36D	1.01	0.97	1.03
TM9V040A10MP12C	XAH/XAHB36D	0.97	0.92	1.04
TM9V060B12MP12C	XAF/XAF/XAUB36D	1.01	0.97	1.04
TM9V060B12MP12C	XAF/XAF/XAUC48F	1.01	0.99	1.05
TM9V060B12MP12C	XAF/XAFC36D	1.02	0.98	1.02
TM9V060B12MP12C	XAH/XAHB36D	0.97	0.94	1.05
TM9V060B12MP12C	XAH/XAHC36D	0.97	0.94	1.03
TM9V060B12MP12C	XAH/XAHC48F	1.00	0.99	1.05
TM9V080B12MP12C	XAF/XAF/XAUB36D	1.01	0.98	1.01
TM9V080B12MP12C	XAF/XAF/XAUC48F	1.02	0.99	1.02
TM9V080B12MP12C	XAF/XAFC36D	1.01	0.98	1.01
TM9V080B12MP12C	XAH/XAHB36D	0.97	0.94	1.04
TM9V080B12MP12C	XAH/XAHC36D	0.98	0.95	1.01

Table 36: Cool multiplier furnace - 2.5 ton

Furnace model	Indoor coil model	TC	SC	kW
TM9V080B12MP12C	XAH/XAHC48F	1.00	0.99	1.02
TM9V080C16MP12C	XAF/XAF/XAUC48F	1.02	1	1.03
TM9V080C16MP12C	XAF/XAFC36D	1.01	0.98	1.01
TM9V080C16MP12C	XAF/XAFD48F	1.02	1	1.03
TM9V080C16MP12C	XAH/XAHC36D	0.97	0.95	1.02
TM9V080C16MP12C	XAH/XAHC48F	1.01	1	1.03
TM9V080C16MP12C	XAH/XAHD48F	1.01	1	1.03
TM9V100C16MP12C	XAF/XAF/XAUC48F	1.02	1	1.01
TM9V100C16MP12C	XAF/XAFC36D	1.02	0.98	0.99
TM9V100C16MP12C	XAH/XAHC36D	0.98	0.95	0.99
TM9V100C16MP12C	XAH/XAHC48F	1.01	1	1.01
TM9V100C16MP12C	XAH/XAHD48F	1.01	1	1.02
TM9Y060B12MP11	XAF/XAF/XAUB36D	1.00	0.96	1.04
TM9Y060B12MP11	XAF/XAF/XAUC48F	1.02	0.99	1.05
TM9Y060B12MP11	XAF/XAFC36D	1.01	0.98	1.03
TM9Y060B12MP11	XAH/XAHB36D	0.97	0.94	1.03
TM9Y060B12MP11	XAH/XAHC36D	0.97	0.94	1.03
TM9Y060B12MP11	XAH/XAHC48F	1.00	0.99	1.04
TM9Y080B12MP11	XAF/XAF/XAUB36D	1.01	0.97	1.02
TM9Y080B12MP11	XAF/XAF/XAUC48F	1.02	1	1.04
TM9Y080B12MP11	XAF/XAFC36D	1.01	0.98	1.02
TM9Y080B12MP11	XAH/XAHB36D	0.98	0.93	1
TM9Y080B12MP11	XAH/XAHC36D	0.97	0.95	1.02
TM9Y080B12MP11	XAH/XAHC48F	1.01	1	1.04
TM9Y080C16MP11	XAF/XAF/XAUC48F	1.02	0.99	1.02
TM9Y080C16MP11	XAF/XAFC36D	1.02	0.99	1
TM9Y080C16MP11	XAF/XAFD48F	1.02	0.99	1.02
TM9Y080C16MP11	XAH/XAHC36D	0.97	0.95	1.01
TM9Y080C16MP11	XAH/XAHC48F	1.01	1	1.02
TM9Y100C16MP11	XAF/XAF/XAUC48F	1.02	0.99	1.02
TM9Y100C16MP11	XAF/XAFC36D	1.01	0.98	1.01
TM9Y100C16MP11	XAF/XAFD48F	1.02	0.99	1.02
TM9Y100C16MP11	XAH/XAHC36D	0.97	0.95	1.01
TM9Y100C16MP11	XAH/XAHD48F	1.01	1	1.02
TM9Y120D20MP11	XAF/XAFD48F	1.03	1.01	1.01
TM9Y120D20MP11	XAH/XAHD48F	1.01	1.01	1.01
TMLE040A12MP11	XAF/XAF/XAUB36D	1.01	0.98	1.01
TMLE040A12MP11	XAF/XAFA30D	1.02	0.98	1.01
TMLE040A12MP11	XAH/XAHB36D	0.98	0.95	1.02

Table 36: Cool multiplier furnace - 2.5 ton

Furnace model	Indoor coil model	TC	SC	kW
TMLE060A12MP11	XAF/XAF/XAUB36D	1.01	0.98	1.03
TMLE060A12MP11	XAF/XAFA30D	1.02	0.98	1
TMLE060A12MP11	XAH/XAHB36D	0.97	0.95	1.03
TMLE080B12MP11	XAF/XAF/XAUB36D	1.01	0.98	1.03
TMLE080B12MP11	XAF/XAF/XAUC48F	1.03	0.99	1.02
TMLE080B12MP11	XAF/XAFC36D	1.01	0.98	1.03
TMLE080B12MP11	XAH/XAHB36D	0.97	0.94	1.03
TMLE080B12MP11	XAH/XAHC36D	0.97	0.95	1.02
TMLE080B12MP11	XAH/XAHC48F	1.01	1	1.04
TMLE080C16MP11	XAF/XAF/XAUC48F	1.03	0.99	1.01
TMLE080C16MP11	XAF/XAFC36D	1.01	0.98	1
TMLE080C16MP11	XAF/XAFD48F	1.02	1.01	1.01
TMLE080C16MP11	XAH/XAHC36D	0.98	0.96	1
TMLE080C16MP11	XAH/XAHC48F	1.01	1	1
TMLE080C16MP11	XAH/XAHD48F	1.01	1.01	1.02
TMLE100B12MP11	XAF/XAF/XAUB36D	1.02	0.98	0.99
TMLE100B12MP11	XAF/XAF/XAUC48F	1.03	1	1.02
TMLE100B12MP11	XAF/XAFC36D	1.02	0.99	0.99
TMLE100B12MP11	XAH/XAHB36D	0.97	0.95	1.02
TMLE100B12MP11	XAH/XAHC36D	0.98	0.96	1.02
TMLE100B12MP11	XAH/XAHC48F	1.01	1	1.01
TMLE100C16MP11	XAF/XAF/XAUC48F	1.03	0.99	1.02
TMLE100C16MP11	XAF/XAFC36D	1.01	0.98	0.99
TMLE100C16MP11	XAF/XAFD48F	1.02	0.99	1
TMLE100C16MP11	XAH/XAHC36D	0.98	0.96	1
TMLE100C16MP11	XAH/XAHC48F	1.01	1	1.01
TMLE100C16MP11	XAH/XAHD48F	1.01	0.99	1.01
TMLE120C16MP11	XAF/XAF/XAUC48F	1.03	1	1.01
TMLE120C16MP11	XAF/XAFC36D	1.01	0.98	0.99
TMLE120C16MP11	XAF/XAFD48F	1.03	1	1.01
TMLE120C16MP11	XAH/XAHC36D	0.99	0.95	0.98
TMLE120C16MP11	XAH/XAHC48F	1.01	1	1
TMLE120C16MP11	XAH/XAHD48F	1.01	1	1.01
TMLV060A12MP12C	XAF/XAF/XAUB36D	1.01	0.97	1.01
TMLV060A12MP12C	XAF/XAFA30D	1.02	0.98	1.02
TMLV060A12MP12C	XAH/XAHB36D	0.97	0.95	1.03
TMLV100C16MP12C	XAF/XAF/XAUC48F	1.02	1.01	1.02
TMLV100C16MP12C	XAF/XAFC36D	1.02	0.99	1.01
TMLV100C16MP12C	XAF/XAFD48F	1.02	1.01	1.02

Table 36: Cool multiplier furnace - 2.5 ton

Furnace model	Indoor coil model	TC	SC	kW
TMLV100C16MP12C	XAH/XAHC36D	0.98	0.96	1.02
TMLV100C16MP12C	XAH/XAHC48F	1.01	1	1.01
TMLV100C16MP12C	XAH/XAHD48F	1.01	1.01	1.02
TP9C060B12MP13C	XAF/XAF/XAUB36D	1.01	0.97	1.04
TP9C060B12MP13C	XAF/XAF/XAUC48F	1.01	0.99	1.05
TP9C060B12MP13C	XAF/XAFC36D	1.02	0.98	1.02
TP9C060B12MP13C	XAH/XAHB36D	0.97	0.94	1.05
TP9C060B12MP13C	XAH/XAHC36D	0.97	0.94	1.03
TP9C060B12MP13C	XAH/XAHC48F	1.00	0.99	1.05
TP9C080B12MP13C	XAF/XAF/XAUB36D	1.01	0.98	1.01
TP9C080B12MP13C	XAF/XAF/XAUC48F	1.02	0.99	1.02
TP9C080B12MP13C	XAF/XAFC36D	1.01	0.98	1.01
TP9C080B12MP13C	XAH/XAHB36D	0.97	0.94	1.04
TP9C080B12MP13C	XAH/XAHC36D	0.98	0.95	1.01
TP9C080B12MP13C	XAH/XAHC48F	1.00	0.99	1.02
TP9C080C16MP13C	XAF/XAF/XAUC48F	1.02	1	1.03
TP9C080C16MP13C	XAF/XAFC36D	1.01	0.98	1.01
TP9C080C16MP13C	XAF/XAFD48F	1.02	1	1.03
TP9C080C16MP13C	XAH/XAHC36D	0.97	0.95	1.02
TP9C080C16MP13C	XAH/XAHC48F	1.01	1	1.03
TP9C080C16MP13C	XAH/XAHD48F	1.01	1	1.03
TP9C100C16MP13C	XAF/XAF/XAUC48F	1.02	1	1.01
TP9C100C16MP13C	XAF/XAFC36D	1.02	0.98	0.99
TP9C100C16MP13C	XAH/XAHC36D	0.98	0.95	0.99
TP9C100C16MP13C	XAH/XAHC48F	1.01	1	1.01
TP9C100C16MP13C	XAH/XAHD48F	1.01	1	1.02
TPLC060A12MP13C	XAF/XAF/XAUB36D	1.01	0.97	1.01
TPLC060A12MP13C	XAF/XAFA30D	1.02	0.98	1.02
TPLC060A12MP13C	XAH/XAHB36D	0.97	0.95	1.03
TPLC080B12MP13C	XAF/XAF/XAUB36D	1.02	0.98	1.01
TPLC080B12MP13C	XAF/XAF/XAUC48F	1.01	0.98	1.06
TPLC080B12MP13C	XAF/XAFC36D	1.00	0.97	1.04
TPLC080B12MP13C	XAH/XAHB36D	0.97	0.93	1.03
TPLC080B12MP13C	XAH/XAHC36D	0.97	0.94	1.04
TPLC080B12MP13C	XAH/XAHC36D	0.97	0.94	1.04
TPLC080B12MP13C	XAH/XAHC48F	1.00	0.98	1.05
TPLC080C16MP13C	XAF/XAF/XAUC48F	1.02	1.01	1.02
TPLC080C16MP13C	XAF/XAFC36D	1.02	0.99	1.01
TPLC080C16MP13C	XAF/XAFD48F	1.02	1.01	1.02

Table 36: Cool multiplier furnace - 2.5 ton

Furnace model	Indoor coil model	TC	SC	kW
TPLC080C16MP13C	XAH/XAHC36D	0.98	0.96	1.02
TPLC080C16MP13C	XAH/XAHC48F	1.01	1	1.01
TPLC080C16MP13C	XAH/XAHD48F	1.01	1.01	1.02
TPLC100C16MP13C	XAF/XAF/XAUC48F	1.02	1.01	1.02
TPLC100C16MP13C	XAF/XAFC36D	1.02	0.99	1.01
TPLC100C16MP13C	XAF/XAFD48F	1.02	1.01	1.02
TPLC100C16MP13C	XAH/XAHC36D	0.98	0.96	1.02
TPLC100C16MP13C	XAH/XAHC48F	1.01	1	1.01
TPLC100C16MP13C	XAH/XAHD48F	1.01	1.01	1.02
YP9C060B12MP13C	XAF/XAF/XAUB36D	1.01	0.97	1.04
YP9C060B12MP13C	XAF/XAF/XAUC48F	1.01	0.99	1.05
YP9C060B12MP13C	XAF/XAFC36D	1.02	0.98	1.02
YP9C060B12MP13C	XAH/XAHB36D	0.97	0.94	1.05
YP9C060B12MP13C	XAH/XAHC36D	0.97	0.94	1.03
YP9C060B12MP13C	XAH/XAHC48F	1.00	0.99	1.05
YP9C080B12MP13C	XAF/XAF/XAUB36D	1.01	0.98	1.01
YP9C080B12MP13C	XAF/XAF/XAUC48F	1.02	0.99	1.02
YP9C080B12MP13C	XAF/XAFC36D	1.01	0.98	1.01
YP9C080B12MP13C	XAH/XAHB36D	0.97	0.94	1.04
YP9C080B12MP13C	XAH/XAHC36D	0.98	0.95	1.01
YP9C080B12MP13C	XAH/XAHC48F	1.00	0.99	1.02
YP9C080C16MP13C	XAF/XAF/XAUC48F	1.02	1	1.03
YP9C080C16MP13C	XAF/XAFC36D	1.01	0.98	1.01
YP9C080C16MP13C	XAF/XAFD48F	1.02	1	1.03
YP9C080C16MP13C	XAH/XAHC36D	0.97	0.95	1.02
YP9C080C16MP13C	XAH/XAHC48F	1.01	1	1.03
YP9C080C16MP13C	XAH/XAHD48F	1.01	1	1.03
YP9C100C16MP13C	XAF/XAF/XAUC48F	1.02	1	1.01
YP9C100C16MP13C	XAF/XAFC36D	1.02	0.98	0.99
YP9C100C16MP13C	XAF/XAFD48F	1.02	1	1.01
YP9C100C16MP13C	XAH/XAHC36D	0.98	0.95	0.99
YP9C100C16MP13C	XAH/XAHC48F	1.01	1	1.01
YP9C100C16MP13C	XAH/XAHD48F	1.01	1	1.02
YPLC060A12MP13C	XAF/XAF/XAUB36D	1.01	0.97	1.01
YPLC060A12MP13C	XAF/XAFA30D	1.02	0.98	1.02
YPLC060A12MP13C	XAH/XAHB36D	0.97	0.95	1.03
YPLC080B12MP13C	XAF/XAF/XAUB36D	1.02	0.98	1.01
YPLC080B12MP13C	XAF/XAF/XAUC48F	1.01	0.98	1.06
YPLC080B12MP13C	XAF/XAFC36D	1.00	0.97	1.04

Table 36: Cool multiplier furnace - 2.5 ton

Furnace model	Indoor coil model	TC	SC	kW
YPLC080B12MP13C	XAH/XAHB36D	0.97	0.93	1.03
YPLC080B12MP13C	XAH/XAHC36D	0.97	0.94	1.04
YPLC080B12MP13C	XAH/XAHC36D	0.97	0.94	1.04
YPLC080B12MP13C	XAH/XAHC48F	1.00	0.98	1.05
YPLC080C16MP13C	XAF/XAF/XAUC48F	1.02	1.01	1.02
YPLC080C16MP13C	XAF/XAFC36D	1.02	0.99	1.01
YPLC080C16MP13C	XAF/XAFD48F	1.02	1.01	1.02
YPLC080C16MP13C	XAH/XAHC36D	0.98	0.96	1.02
YPLC080C16MP13C	XAH/XAHC48F	1.01	1	1.01
YPLC080C16MP13C	XAH/XAHD48F	1.01	1.01	1.02
YPLC100C16MP13C	XAF/XAF/XAUC48F	1.02	1.01	1.02
YPLC100C16MP13C	XAF/XAFC36D	1.02	0.99	1.01
YPLC100C16MP13C	XAF/XAFD48F	1.02	1.01	1.02
YPLC100C16MP13C	XAH/XAHC36D	0.98	0.96	1.02
YPLC100C16MP13C	XAH/XAHC48F	1.01	1	1.01
YPLC100C16MP13C	XAH/XAHD48F	1.01	1.01	1.02

Heating performance data - 2.5 ton

Table 37: Heating performance data - 2.5 ton

Air temperature entering outdoor unit (°F)	Air temperature entering indoor unit (°F)	ID CFM								
		1500			1750			2000		
		MBH	COP	kW	MBH	COP	kW	MBH	COP	kW
60	60	33.30	4.37	2.23	34.20	4.59	2.18	35.00	4.81	2.13
	70	32.40	3.91	2.43	33.40	4.13	2.37	34.40	4.35	2.32
	80	31.80	3.46	2.69	32.60	3.67	2.61	33.50	3.87	2.53
47	60	29.00	3.97	2.14	29.80	4.13	2.11	30.50	4.30	2.08
	70	28.30	3.55	2.33	29.10	3.72	2.30	30.00	3.88	2.26
	80	27.80	3.16	2.58	28.50	3.31	2.53	29.20	3.47	2.47
40	60	26.70	3.74	2.09	27.40	3.88	2.07	28.10	4.01	2.06
	70	26.10	3.35	2.28	26.80	3.49	2.26	27.60	3.62	2.23
	80	25.60	2.98	2.52	26.30	3.11	2.48	26.90	3.24	2.44
30	60	23.50	3.40	2.02	24.10	3.50	2.02	24.70	3.59	2.02
	70	23.00	3.04	2.21	23.60	3.14	2.20	24.20	3.24	2.19
	80	22.50	2.72	2.43	23.10	2.81	2.41	23.70	2.90	2.39
17	60	19.20	2.92	1.93	19.70	2.97	1.95	20.20	3.02	1.96
	70	18.90	2.61	2.12	19.30	2.67	2.12	19.80	2.72	2.13
	80	18.50	2.34	2.32	19.00	2.39	2.33	19.40	2.44	2.33
10	60	16.90	2.63	1.88	17.40	2.67	1.91	17.80	2.70	1.94
	70	16.70	2.36	2.07	17.00	2.39	2.08	17.40	2.43	2.10
	80	16.40	2.12	2.26	16.70	2.15	2.28	17.10	2.18	2.30
0	60	13.60	2.21	1.81	14.00	2.22	1.85	14.40	2.23	1.90
	70	13.50	1.98	1.99	13.70	1.99	2.03	14.00	1.99	2.06
	80	13.30	1.79	2.17	13.60	1.80	2.21	13.80	1.80	2.25

Heating multipliers for determining the performance with other indoor sections

Heat multiplier airhandler - 2.5 ton

Table 38: Heat multiplier air handler - 2.5 ton

Air handler model	Indoor coil model	MBH	COP	kW
JHETB30DBAS2N1	—	1.08	1.23	0.89
JHETB36DBAS2N1	—	0.97	1.00	0.97
JHETC36DBAS2N1	—	0.97	1.02	0.95
JHETC42FBAS2N1	—	0.98	1.02	0.96
JHVTB36DBAC2N1	—	0.97	1.00	0.97
JHVTC36DBAC2N1	—	0.96	1.03	0.93
JHVTC42FBAC2N1	—	0.98	1.04	0.95
JHVTD42FBAC2N1	—	0.98	1.04	0.94
JMET12BS2N1A	XAF/XAF/XAUB36D	0.97	1.01	0.96
JMET12BS2N1A	XAH/XAHB36D	0.94	0.98	0.96
JMET12BS4N1A	XAF/XAF/XAUB36D	0.97	1.00	0.97
JMET12CS2N1A	XAF/XAF/XAUC48F	0.99	1.03	0.96
JMET12CS2N1A	XAF/XAFC36D	0.97	1.01	0.96
JMET12CS2N1A	XAH/XAHC36D	0.94	1.00	0.94
JMET12CS2N1A	XAH/XAHC48F	0.96	1.01	0.94
JMET12CS4N1A	XAF/XAUC48F	0.99	1.03	0.96
JMET12CS4N1A	XAFC36D	0.97	1.01	0.96
JMET12CS4N1A	XAHC36D	0.94	1.00	0.94
JMET12CS4N1A	XAHC48F	0.96	1.02	0.94
JMET16CS2N1A	XAF/XAF/XAUC48F	0.99	1.03	0.96
JMET16CS2N1A	XAF/XAFC36D	0.97	1.01	0.95
JMET16CS2N1A	XAH/XAHC36D	0.95	1.00	0.94
JMET16CS2N1A	XAH/XAHC48F	0.95	1.01	0.94
JMET16CS4N1A	XAF/XAUC48F	0.99	1.03	0.96
JMET16CS4N1A	XAFC36D	0.97	1.01	0.95
JMET16CS4N1A	XAHC36D	0.94	1.00	0.94
JMET16CS4N1A	XAHC48F	0.96	1.01	0.94
JMVT12BC2N1A	XAF/XAF/XAUB36D	0.97	1.01	0.96
JMVT12BC2N1A	XAH/XAHB36D	0.95	0.99	0.96
JMVT16CC2N1A	XAF/XAF/XAUC48F	0.98	1.04	0.94
JMVT16CC2N1A	XAF/XAFC36D	0.97	1.02	0.94
JMVT16CC2N1A	XAH/XAHC36D	0.95	1.01	0.94
JMVT16CC2N1A	XAH/XAHC48F	0.95	1.02	0.93
JMVT17CC2N1A	XAF/XAF/XAUC48F	0.98	1.04	0.94
JMVT17CC2N1A	XAF/XAFC36D	0.96	1.02	0.94

Table 38: Heat multiplier air handler - 2.5 ton

Air handler model	Indoor coil model	MBH	COP	kW
JMVT17CC2N1A	XAH/XAHC36D	0.94	1.01	0.94
JMVT17CC2N1A	XAH/XAHC48F	0.95	1.03	0.92

Heat multiplier furnace - 2.5 ton

Table 39: Heat multiplier furnace - 2.5 ton

Furnace model	Indoor coil model	MBH	COP	kW
TL8E060A12UH11	XAF/XAF/XAUB36D	0.97	0.98	0.99
TL8E060A12UH11	XAF/XAFA30D	0.97	0.98	1.00
TL8E060A12UH11	XAH/XAHB36D	0.96	0.95	1.01
TL8E080C16UH11	XAF/XAF/XAUC48F	1.00	1.01	0.98
TL8E080C16UH11	XAF/XAFC36D	0.97	0.99	0.99
TL8E080C16UH11	XAF/XAFD48F	1.00	1.01	0.98
TL8E080C16UH11	XAH/XAHC36D	0.95	0.97	0.98
TL8E080C16UH11	XAH/XAHC48F	0.96	1.00	0.96
TL8E080C16UH11	XAH/XAHD48F	0.96	0.99	0.97
TL8E100C20UH11	XAF/XAFC36D	0.97	1.01	0.96
TL8E100C20UH11	XAH/XAHC36D	0.94	0.99	0.95
TL9E060B12UH11	XAF/XAF/XAUB36D	0.98	0.97	1.01
TL9E060B12UH11	XAF/XAF/XAUC48F	1.01	0.97	1.04
TL9E060B12UH11	XAF/XAFC36D	0.98	0.97	1.00
TL9E060B12UH11	XAH/XAHB36D	0.95	0.96	1.00
TL9E060B12UH11	XAH/XAHC36D	0.96	0.96	1.00
TL9E060B12UH11	XAH/XAHC48F	0.97	0.97	0.99
TL9E080C16UH11	XAF/XAF/XAUC48F	0.99	1.01	0.99
TL9E080C16UH11	XAF/XAFC36D	0.97	0.99	0.99
TL9E080C16UH11	XAF/XAFD48F	0.99	1.01	0.99
TL9E080C16UH11	XAH/XAHC36D	0.96	0.97	0.98
TL9E080C16UH11	XAH/XAHC48F	0.96	0.99	0.97
TL9E080C16UH11	XAH/XAHD48F	0.97	0.99	0.97
TM8E040A12MP11	XAF/XAF/XAUB36D	0.98	0.98	1.00
TM8E040A12MP11	XAF/XAFA30D	0.98	0.97	1.00
TM8E040A12MP11	XAH/XAHB36D	0.95	0.96	1.00
TM8E060A12MP11	XAF/XAF/XAUB36D	0.98	0.97	1.01
TM8E060A12MP11	XAF/XAFA30D	0.97	0.98	0.99
TM8E060A12MP11	XAH/XAHB36D	0.96	0.95	1.01
TM8E080B12MP11	XAF/XAF/XAUB36D	0.98	0.97	1.01
TM8E080B12MP11	XAF/XAF/XAUC48F	0.99	1.01	0.99
TM8E080B12MP11	XAF/XAFC36D	0.98	0.97	1.01
TM8E080B12MP11	XAH/XAHB36D	0.96	0.95	1.01

Table 39: Heat multiplier furnace - 2.5 ton

Furnace model	Indoor coil model	MBH	COP	kW
TM8E080B12MP11	XAH/XAHC36D	0.96	0.96	1.00
TM8E080B12MP11	XAH/XAHC48F	0.97	0.97	0.99
TM8E080C16MP11	XAF/XAF/XAUC48F	0.99	1.01	0.98
TM8E080C16MP11	XAF/XAFC36D	0.97	0.99	0.98
TM8E080C16MP11	XAF/XAFD48F	0.99	1.01	0.98
TM8E080C16MP11	XAH/XAHC36D	0.95	0.97	0.98
TM8E080C16MP11	XAH/XAHC48F	0.96	1.00	0.96
TM8E080C16MP11	XAH/XAHD48F	0.96	0.99	0.98
TM8E100B12MP11	XAF/XAF/XAUB36D	0.98	0.98	0.99
TM8E100B12MP11	XAF/XAF/XAUC48F	0.99	1.00	0.99
TM8E100B12MP11	XAF/XAFC36D	0.97	0.99	0.99
TM8E100B12MP11	XAH/XAHB36D	0.96	0.95	1.01
TM8E100B12MP11	XAH/XAHC36D	0.96	0.97	0.99
TM8E100B12MP11	XAH/XAHC48F	0.96	0.99	0.97
TM8E100C16MP11	XAF/XAF/XAUC48F	0.99	1.01	0.98
TM8E100C16MP11	XAF/XAFC36D	0.97	0.99	0.98
TM8E100C16MP11	XAF/XAFD48F	0.99	1.01	0.98
TM8E100C16MP11	XAH/XAHC36D	0.96	0.98	0.98
TM8E100C16MP11	XAH/XAHC48F	0.96	1.00	0.97
TM8E100C16MP11	XAH/XAHD48F	0.96	0.99	0.97
TM8E120C16MP11	XAF/XAF/XAUC48F	0.99	1.01	0.98
TM8E120C16MP11	XAF/XAFC36D	0.97	0.99	0.98
TM8E120C16MP11	XAH/XAHC36D	0.94	0.98	0.96
TM8E120C16MP11	XAH/XAHC48F	0.96	1.00	0.96
TM8E120C16MP11	XAH/XAHD48F	0.96	1.00	0.97
TM8V060A12MP12C	XAF/XAF/XAUB36D	0.98	0.98	1.00
TM8V060A12MP12C	XAF/XAFA30D	0.98	0.98	1.00
TM8V060A12MP12C	XAH/XAHB36D	0.96	0.95	1.01
TM8V080B12MP12C	XAF/XAF/XAUB36D	0.97	0.98	1.00
TM8V080B12MP12C	XAF/XAF/XAUC48F	1.00	0.98	1.02
TM8V080B12MP12C	XAF/XAFC36D	0.98	0.96	1.02
TM8V080B12MP12C	XAH/XAHB36D	0.96	0.95	1.01
TM8V080B12MP12C	XAH/XAHC36D	0.96	0.94	1.02
TM8V080B12MP12C	XAH/XAHC36D	0.96	0.94	1.02
TM8V080B12MP12C	XAH/XAHC48F	0.97	0.97	1.01
TM8V080C16MP12C	XAF/XAF/XAUC48F	0.99	1.00	0.99
TM8V080C16MP12C	XAF/XAFC36D	0.98	0.99	0.99
TM8V080C16MP12C	XAF/XAFD48F	0.99	1.01	0.98
TM8V080C16MP12C	XAH/XAHC36D	0.96	0.97	0.99

Table 39: Heat multiplier furnace - 2.5 ton

Furnace model	Indoor coil model	MBH	COP	kW
TM8V080C16MP12C	XAH/XAHC48F	0.96	0.99	0.97
TM8V080C16MP12C	XAH/XAHD48F	0.96	0.99	0.97
TM8V100C16MP12C	XAF/XAF/XAUC48F	0.99	1.00	0.99
TM8V100C16MP12C	XAF/XAFC36D	0.98	0.99	0.98
TM8V100C16MP12C	XAF/XAFD48F	0.99	1.01	0.98
TM8V100C16MP12C	XAH/XAHC36D	0.96	0.97	0.99
TM8V100C16MP12C	XAH/XAHC48F	0.96	1.00	0.97
TM8V100C16MP12C	XAH/XAHD48F	0.96	0.99	0.97
TM8Y060A12MP11	XAF/XAF/XAUB36D	0.98	0.97	1.01
TM8Y060A12MP11	XAF/XAFA30D	0.98	0.96	1.02
TM8Y060A12MP11	XAH/XAHB36D	0.96	0.95	1.01
TM8Y080B12MP11	XAF/XAF/XAUB36D	0.98	0.98	1.00
TM8Y080B12MP11	XAF/XAF/XAUC48F	1.00	1.00	1.00
TM8Y080B12MP11	XAF/XAFC36D	0.98	0.98	1.00
TM8Y080B12MP11	XAH/XAHB36D	0.95	0.96	0.99
TM8Y080B12MP11	XAH/XAHC36D	0.96	0.97	0.99
TM8Y080B12MP11	XAH/XAHC48F	0.97	0.98	0.98
TM8Y080C16MP11	XAF/XAFC36D	0.97	1.00	0.97
TM8Y080C16MP11	XAF/XAFD48F	0.99	1.01	0.97
TM8Y080C16MP11	XAH/XAHC36D	0.95	0.98	0.96
TM8Y080C16MP11	XAH/XAHC48F	0.96	1.00	0.96
TM8Y080C16MP11	XAH/XAHD48F	0.96	1.00	0.96
TM8Y100C16MP11	XAF/XAF/XAUC48F	0.99	1.01	0.97
TM8Y100C16MP11	XAF/XAFC36D	0.97	1.00	0.97
TM8Y100C16MP11	XAF/XAFD48F	0.99	1.01	0.97
TM8Y100C16MP11	XAH/XAHC36D	0.95	0.98	0.96
TM8Y100C16MP11	XAH/XAHC48F	0.96	1.00	0.96
TM8Y100C16MP11	XAH/XAHD48F	0.96	1.00	0.96
TM8Y100C20MP11	XAH/XAHC36D	0.95	0.98	0.97
TM8Y120C20MP11	XAH/XAHC36D	0.95	0.98	0.97
TM9E026A08MP12	XAF/XAF/XAUB36D	0.98	0.97	1.01
TM9E040A10MP12	XAF/XAF/XAUB36D	0.99	0.95	1.04
TM9E040A10MP12	XAF/XAFA30D	0.99	0.95	1.04
TM9E040A10MP12	XAH/XAHB36D	0.96	0.94	1.03
TM9E060A10MP12	XAF/XAF/XAUB36D	0.99	0.95	1.03
TM9E060A10MP12	XAF/XAFA30D	0.98	0.96	1.02
TM9E060A10MP12	XAH/XAHB36D	0.96	0.95	1.01
TM9E060B12MP12	XAF/XAF/XAUB36D	0.99	0.95	1.04
TM9E060B12MP12	XAF/XAF/XAUC48F	1.00	0.99	1.01

Table 39: Heat multiplier furnace - 2.5 ton

Furnace model	Indoor coil model	MBH	COP	kW
TM9E060B12MP12	XAF/XAFC36D	0.98	0.97	1.01
TM9E060B12MP12	XAH/XAHB36D	0.97	0.94	1.03
TM9E060B12MP12	XAH/XAHC36D	0.96	0.96	1.00
TM9E060B12MP12	XAH/XAHC48F	0.97	0.97	1.00
TM9E080B12MP12	XAF/XAF/XAUB36D	0.98	0.97	1.02
TM9E080B12MP12	XAF/XAF/XAUC48F	1.00	1.00	1.00
TM9E080B12MP12	XAF/XAFC36D	0.98	0.98	0.99
TM9E080B12MP12	XAH/XAHB36D	0.97	0.95	1.02
TM9E080B12MP12	XAH/XAHC36D	0.96	0.95	1.01
TM9E080B12MP12	XAH/XAHC48F	0.97	0.99	0.98
TM9E080C16MP12	XAF/XAF/XAUC48F	1.00	1.01	0.99
TM9E080C16MP12	XAF/XAFC36D	0.98	0.98	0.99
TM9E080C16MP12	XAF/XAFD48F	1.00	1.01	0.99
TM9E080C16MP12	XAH/XAHC36D	0.96	0.97	0.98
TM9E080C16MP12	XAH/XAHC48F	0.96	1.00	0.96
TM9E100C16MP12	XAF/XAF/XAUC48F	0.99	1.00	1.00
TM9E100C16MP12	XAF/XAFC36D	0.98	0.99	0.99
TM9E100C16MP12	XAF/XAFD48F	0.99	1.00	0.99
TM9E100C16MP12	XAH/XAHC36D	0.96	0.97	0.98
TM9E100C16MP12	XAH/XAHC48F	0.96	1.00	0.97
TM9E100C16MP12	XAH/XAHD48F	0.97	0.98	0.98
TM9V040A10MP12C	XAF/XAF/XAUB36D	0.99	0.96	1.03
TM9V040A10MP12C	XAH/XAHB36D	0.96	0.94	1.03
TM9V060B12MP12C	XAF/XAF/XAUB36D	0.99	0.96	1.02
TM9V060B12MP12C	XAF/XAF/XAUC48F	1.00	0.98	1.01
TM9V060B12MP12C	XAF/XAFC36D	0.98	0.97	1.00
TM9V060B12MP12C	XAH/XAHB36D	0.96	0.94	1.02
TM9V060B12MP12C	XAH/XAHC36D	0.96	0.95	1.01
TM9V060B12MP12C	XAH/XAHC48F	0.97	0.97	1.00
TM9V080B12MP12C	XAF/XAF/XAUB36D	0.97	0.98	0.99
TM9V080B12MP12C	XAF/XAF/XAUC48F	0.99	1.00	0.99
TM9V080B12MP12C	XAF/XAFC36D	0.97	0.98	0.99
TM9V080B12MP12C	XAH/XAHB36D	0.97	0.95	1.02
TM9V080B12MP12C	XAH/XAHC36D	0.95	0.97	0.98
TM9V080B12MP12C	XAH/XAHC48F	0.96	0.99	0.97
TM9V080C16MP12C	XAF/XAF/XAUC48F	0.99	1.00	1.00
TM9V080C16MP12C	XAF/XAFC36D	0.98	0.98	1.00
TM9V080C16MP12C	XAF/XAFD48F	0.99	1.00	1.00
TM9V080C16MP12C	XAH/XAHC36D	0.96	0.97	0.99

Table 39: Heat multiplier furnace - 2.5 ton

Furnace model	Indoor coil model	MBH	COP	kW
TM9V080C16MP12C	XAH/XAHC48F	0.96	0.99	0.97
TM9V080C16MP12C	XAH/XAHD48F	0.97	0.98	0.98
TM9V100C16MP12C	XAF/XAF/XAUC48F	0.99	1.01	0.97
TM9V100C16MP12C	XAF/XAFC36D	0.97	0.99	0.97
TM9V100C16MP12C	XAF/XAFD48F	0.99	1.01	0.97
TM9V100C16MP12C	XAH/XAHC36D	0.95	0.98	0.96
TM9V100C16MP12C	XAH/XAHC48F	0.96	1.00	0.96
TM9V100C16MP12C	XAH/XAHD48F	0.96	0.99	0.97
TM9Y060B12MP11	XAF/XAF/XAUB36D	0.99	0.95	1.05
TM9Y060B12MP11	XAF/XAF/XAUC48F	1.00	0.98	1.02
TM9Y060B12MP11	XAF/XAFC36D	0.98	0.97	1.01
TM9Y060B12MP11	XAH/XAHB36D	0.96	0.94	1.03
TM9Y060B12MP11	XAH/XAHC36D	0.97	0.94	1.03
TM9Y060B12MP11	XAH/XAHC48F	0.97	0.97	1.00
TM9Y080B12MP11	XAF/XAF/XAUB36D	0.98	0.97	1.01
TM9Y080B12MP11	XAF/XAF/XAUC48F	1.00	0.98	1.01
TM9Y080B12MP11	XAF/XAFC36D	0.98	0.97	1.01
TM9Y080B12MP11	XAH/XAHB36D	0.95	0.96	0.99
TM9Y080B12MP11	XAH/XAHC36D	0.96	0.96	1.00
TM9Y080B12MP11	XAH/XAHC48F	0.97	0.97	0.99
TM9Y080C16MP11	XAF/XAF/XAUC48F	1.00	1.00	0.99
TM9Y080C16MP11	XAF/XAFC36D	0.97	0.99	0.99
TM9Y080C16MP11	XAF/XAFD48F	1.00	1.00	0.99
TM9Y080C16MP11	XAH/XAHC36D	0.96	0.96	0.99
TM9Y080C16MP11	XAH/XAHC48F	0.96	0.99	0.97
TM9Y080C16MP11	XAH/XAHD48F	0.96	0.99	0.98
TM9Y100C16MP11	XAF/XAF/XAUC48F	0.99	1.00	0.99
TM9Y100C16MP11	XAF/XAFC36D	0.98	0.98	1.00
TM9Y100C16MP11	XAF/XAFD48F	0.99	1.01	0.98
TM9Y100C16MP11	XAH/XAHC36D	0.95	0.97	0.98
TM9Y100C16MP11	XAH/XAHC48F	0.96	0.99	0.98
TM9Y100C16MP11	XAH/XAHD48F	0.96	0.99	0.98
TM9Y120D20MP11	XAF/XAFD48F	0.99	1.01	0.98
TM9Y120D20MP11	XAH/XAHD48F	0.96	0.99	0.96
TMLE040A12MP11	XAF/XAF/XAUB36D	0.98	0.98	1.00
TMLE040A12MP11	XAF/XAFA30D	0.98	0.97	1.00
TMLE040A12MP11	XAH/XAHB36D	0.95	0.96	1.00
TMLE060A12MP11	XAF/XAF/XAUB36D	0.98	0.97	1.01
TMLE060A12MP11	XAF/XAFA30D	0.97	0.98	0.99

Table 39: Heat multiplier furnace - 2.5 ton

Furnace model	Indoor coil model	MBH	COP	kW
TMLE060A12MP11	XAH/XAHB36D	0.96	0.95	1.01
TMLE080B12MP11	XAF/XAF/XAUB36D	0.98	0.97	1.01
TMLE080B12MP11	XAF/XAF/XAUC48F	0.99	1.01	0.99
TMLE080B12MP11	XAF/XAFC36D	0.98	0.97	1.01
TMLE080B12MP11	XAH/XAHB36D	0.96	0.95	1.01
TMLE080B12MP11	XAH/XAHC36D	0.96	0.96	1.00
TMLE080B12MP11	XAH/XAHC48F	0.97	0.97	0.99
TMLE080C16MP11	XAF/XAF/XAUC48F	0.99	1.01	0.98
TMLE080C16MP11	XAF/XAFC36D	0.97	0.99	0.98
TMLE080C16MP11	XAF/XAFD48F	0.99	1.01	0.98
TMLE080C16MP11	XAH/XAHC36D	0.95	0.97	0.98
TMLE080C16MP11	XAH/XAHC48F	0.96	1.00	0.96
TMLE080C16MP11	XAH/XAHD48F	0.96	0.99	0.98
TMLE100B12MP11	XAF/XAF/XAUB36D	0.98	0.98	0.99
TMLE100B12MP11	XAF/XAF/XAUC48F	0.99	1.00	0.99
TMLE100B12MP11	XAF/XAFC36D	0.97	0.99	0.99
TMLE100B12MP11	XAH/XAHB36D	0.96	0.95	1.01
TMLE100B12MP11	XAH/XAHC36D	0.96	0.97	0.99
TMLE100B12MP11	XAH/XAHC48F	0.96	0.99	0.97
TMLE100C16MP11	XAF/XAF/XAUC48F	0.99	1.01	0.98
TMLE100C16MP11	XAF/XAFC36D	0.97	0.99	0.98
TMLE100C16MP11	XAF/XAFD48F	0.99	1.01	0.98
TMLE100C16MP11	XAH/XAHC36D	0.96	0.98	0.98
TMLE100C16MP11	XAH/XAHC48F	0.96	1.00	0.97
TMLE100C16MP11	XAH/XAHD48F	0.96	0.99	0.97
TMLE120C16MP11	XAF/XAF/XAUC48F	0.99	1.01	0.98
TMLE120C16MP11	XAF/XAFC36D	0.97	0.99	0.98
TMLE120C16MP11	XAF/XAFD48F	0.99	1.01	0.98
TMLE120C16MP11	XAH/XAHC36D	0.94	0.98	0.96
TMLE120C16MP11	XAH/XAHC48F	0.96	1.00	0.96
TMLE120C16MP11	XAH/XAHD48F	0.96	1.00	0.97
TMLV060A12MP12C	XAF/XAF/XAUB36D	0.98	0.98	1.00
TMLV060A12MP12C	XAF/XAFA30D	0.98	0.98	1.00
TMLV060A12MP12C	XAH/XAHB36D	0.96	0.95	1.01
TMLV100C16MP12C	XAF/XAF/XAUC48F	0.99	1.00	0.99
TMLV100C16MP12C	XAF/XAFC36D	0.98	0.99	0.98
TMLV100C16MP12C	XAF/XAFD48F	0.99	1.01	0.98
TMLV100C16MP12C	XAH/XAHC36D	0.96	0.97	0.99
TMLV100C16MP12C	XAH/XAHC48F	0.96	1.00	0.97

Table 39: Heat multiplier furnace - 2.5 ton

Furnace model	Indoor coil model	MBH	COP	kW
TMLV100C16MP12C	XAH/XAHD48F	0.96	0.99	0.97
TP9C060B12MP13C	XAF/XAF/XAUB36D	0.99	0.96	1.02
TP9C060B12MP13C	XAF/XAF/XAUC48F	1.00	0.98	1.01
TP9C060B12MP13C	XAF/XAFC36D	0.98	0.97	1.00
TP9C060B12MP13C	XAH/XAHB36D	0.96	0.94	1.02
TP9C060B12MP13C	XAH/XAHC36D	0.96	0.95	1.01
TP9C060B12MP13C	XAH/XAHC48F	0.97	0.97	1.00
TP9C080B12MP13C	XAF/XAF/XAUB36D	0.97	0.98	0.99
TP9C080B12MP13C	XAF/XAF/XAUC48F	0.99	1.00	0.99
TP9C080B12MP13C	XAF/XAFC36D	0.97	0.98	0.99
TP9C080B12MP13C	XAH/XAHB36D	0.97	0.95	1.02
TP9C080B12MP13C	XAH/XAHC36D	0.95	0.97	0.98
TP9C080B12MP13C	XAH/XAHC48F	0.96	0.99	0.97
TP9C080C16MP13C	XAF/XAF/XAUC48F	0.99	1.00	1.00
TP9C080C16MP13C	XAF/XAFC36D	0.98	0.98	1.00
TP9C080C16MP13C	XAF/XAFD48F	0.99	1.00	1.00
TP9C080C16MP13C	XAH/XAHC36D	0.96	0.97	0.99
TP9C080C16MP13C	XAH/XAHC48F	0.96	0.99	0.97
TP9C080C16MP13C	XAH/XAHD48F	0.97	0.98	0.98
TP9C100C16MP13C	XAF/XAF/XAUC48F	0.99	1.01	0.97
TP9C100C16MP13C	XAF/XAFC36D	0.97	0.99	0.97
TP9C100C16MP13C	XAF/XAFD48F	0.99	1.01	0.97
TP9C100C16MP13C	XAH/XAHC36D	0.95	0.98	0.96
TP9C100C16MP13C	XAH/XAHC48F	0.96	1.00	0.96
TP9C100C16MP13C	XAH/XAHD48F	0.96	0.99	0.97
TPLC060A12MP13C	XAF/XAF/XAUB36D	0.98	0.98	1.00
TPLC060A12MP13C	XAF/XAFA30D	0.98	0.98	1.00
TPLC060A12MP13C	XAH/XAHB36D	0.96	0.95	1.01
TPLC080B12MP13C	XAF/XAF/XAUB36D	0.97	0.98	1.00
TPLC080B12MP13C	XAF/XAF/XAUC48F	1.00	0.98	1.02
TPLC080B12MP13C	XAF/XAFC36D	0.98	0.96	1.02
TPLC080B12MP13C	XAH/XAHB36D	0.96	0.95	1.01
TPLC080B12MP13C	XAH/XAHC36D	0.96	0.94	1.02
TPLC080B12MP13C	XAH/XAHC36D	0.96	0.94	1.02
TPLC080B12MP13C	XAH/XAHC48F	0.97	0.97	1.01
TPLC080C16MP13C	XAF/XAF/XAUC48F	0.99	1.00	0.99
TPLC080C16MP13C	XAF/XAFC36D	0.98	0.99	0.98
TPLC080C16MP13C	XAF/XAFD48F	0.99	1.01	0.98
TPLC080C16MP13C	XAH/XAHC36D	0.96	0.97	0.99

Table 39: Heat multiplier furnace - 2.5 ton

Furnace model	Indoor coil model	MBH	COP	kW
TPLC080C16MP13C	XAH/XAHC48F	0.96	1.00	0.97
TPLC080C16MP13C	XAH/XAHD48F	0.96	0.99	0.97
TPLC100C16MP13C	XAF/XAF/XAUC48F	0.99	1.00	0.99
TPLC100C16MP13C	XAF/XAFC36D	0.98	0.99	0.98
TPLC100C16MP13C	XAF/XAFD48F	0.99	1.01	0.98
TPLC100C16MP13C	XAH/XAHC36D	0.96	0.97	0.99
TPLC100C16MP13C	XAH/XAHC48F	0.96	1.00	0.97
TPLC100C16MP13C	XAH/XAHD48F	0.96	0.99	0.97
YP9C060B12MP13C	XAF/XAF/XAUB36D	0.99	0.96	1.02
YP9C060B12MP13C	XAF/XAF/XAUC48F	1.00	0.98	1.01
YP9C060B12MP13C	XAF/XAFC36D	0.98	0.97	1.00
YP9C060B12MP13C	XAH/XAHB36D	0.96	0.94	1.02
YP9C060B12MP13C	XAH/XAHC36D	0.96	0.95	1.01
YP9C060B12MP13C	XAH/XAHC48F	0.97	0.97	1.00
YP9C080B12MP13C	XAF/XAF/XAUB36D	0.97	0.98	0.99
YP9C080B12MP13C	XAF/XAF/XAUC48F	0.99	1.00	0.99
YP9C080B12MP13C	XAF/XAFC36D	0.97	0.98	0.99
YP9C080B12MP13C	XAH/XAHB36D	0.97	0.95	1.02
YP9C080B12MP13C	XAH/XAHC36D	0.95	0.97	0.98
YP9C080B12MP13C	XAH/XAHC48F	0.96	0.99	0.97
YP9C080C16MP13C	XAF/XAF/XAUC48F	0.99	1.00	1.00
YP9C080C16MP13C	XAF/XAFC36D	0.98	0.98	1.00
YP9C080C16MP13C	XAF/XAFD48F	0.99	1.00	1.00
YP9C080C16MP13C	XAH/XAHC36D	0.96	0.97	0.99
YP9C080C16MP13C	XAH/XAHC48F	0.96	0.99	0.97
YP9C080C16MP13C	XAH/XAHD48F	0.97	0.98	0.98
YP9C100C16MP13C	XAF/XAF/XAUC48F	0.99	1.01	0.97
YP9C100C16MP13C	XAF/XAFC36D	0.97	0.99	0.97
YP9C100C16MP13C	XAF/XAFD48F	0.99	1.01	0.97
YP9C100C16MP13C	XAH/XAHC36D	0.95	0.98	0.96
YP9C100C16MP13C	XAH/XAHC48F	0.96	1.00	0.96
YP9C100C16MP13C	XAH/XAHD48F	0.96	0.99	0.97
YPLC060A12MP13C	XAF/XAF/XAUB36D	0.98	0.98	1.00
YPLC060A12MP13C	XAF/XAFA30D	0.98	0.98	1.00
YPLC060A12MP13C	XAH/XAHB36D	0.96	0.95	1.01
YPLC080B12MP13C	XAF/XAF/XAUB36D	0.97	0.98	1.00
YPLC080B12MP13C	XAF/XAF/XAUC48F	1.00	0.98	1.02
YPLC080B12MP13C	XAF/XAFC36D	0.98	0.96	1.02
YPLC080B12MP13C	XAH/XAHB36D	0.96	0.95	1.01

Table 39: Heat multiplier furnace - 2.5 ton

Furnace model	Indoor coil model	MBH	COP	kW
YPLC080B12MP13C	XAH/XAHC36D	0.96	0.94	1.02
YPLC080B12MP13C	XAH/XAHC36D	0.96	0.94	1.02
YPLC080B12MP13C	XAH/XAHC48F	0.97	0.97	1.01
YPLC080C16MP13C	XAF/XAF/XAUC48F	0.99	1.00	0.99
YPLC080C16MP13C	XAF/XAFC36D	0.98	0.99	0.98
YPLC080C16MP13C	XAF/XAFD48F	0.99	1.01	0.98
YPLC080C16MP13C	XAH/XAHC36D	0.96	0.97	0.99
YPLC080C16MP13C	XAH/XAHC48F	0.96	1.00	0.97
YPLC080C16MP13C	XAH/XAHD48F	0.96	0.99	0.97
YPLC100C16MP13C	XAF/XAF/XAUC48F	0.99	1.00	0.99
YPLC100C16MP13C	XAF/XAFC36D	0.98	0.99	0.98
YPLC100C16MP13C	XAF/XAFD48F	0.99	1.01	0.98
YPLC100C16MP13C	XAH/XAHC36D	0.96	0.97	0.99
YPLC100C16MP13C	XAH/XAHC48F	0.96	1.00	0.97
YPLC100C16MP13C	XAH/XAHD48F	0.96	0.99	0.97

Performance data 3 ton

Condenser only performance data - 3 ton

Table 40: Condenser only performance data - 3 ton

Saturated suction at compressor		Outdoor temperature															
Temperature	Pressure	55°F		65°F		75°F		85°F		95°F		105°F		115°F		125°F	
(°F)	(psig)	MBH	kW	MBH	kW	MBH	kW	MBH	kW	MBH	kW	MBH	kW	MBH	kW	MBH	kW
35	107	36.9	1.68	35.0	1.87	33.1	2.08	31.2	2.31	29.1	2.59	27.0	2.91	24.7	3.30	22.2	3.76
40	118	40.5	1.70	38.5	1.88	36.5	2.09	34.4	2.32	32.2	2.59	29.8	2.91	27.4	3.30	24.7	3.75
45	130	44.4	1.72	42.2	1.90	40.0	2.10	37.8	2.33	35.4	2.60	32.9	2.92	30.3	3.30	27.4	3.75
50	143	48.5	1.74	46.2	1.92	43.8	2.12	41.4	2.35	38.8	2.61	36.1	2.93	33.3	3.30	30.3	3.74
55	156	52.9	1.77	50.4	1.94	47.8	2.14	45.2	2.36	42.5	2.62	39.6	2.94	36.5	3.31	33.3	3.74
60	170	57.5	1.80	54.8	1.97	52.1	2.15	49.2	2.38	46.3	2.64	43.2	2.95	39.9	3.32	36.5	3.74

Condenser only data table notes



Note:

1. For Outdoor Unit (Condenser) performance only. Data does not include the effects of air handler power or heat.
2. Performance based on 15°F subcooling and 15°F superheat at the Outdoor Unit base valves.
 - a. Increase capacity by 1% for each 2°F increase in subcooling.
 - b. Decrease capacity by 1% for each 2°F decrease in subcooling.
3. Maximum recommended condensing temperature is 140°F.

Cooling performance data - 3 ton

Table 41: Cooling performance data - 3 ton

Air temperature entering outdoor unit (°F)	Indoor CFM	900						1200						1500					
		80		75		80		80		75		80		80		75		80	
		ID DB (°F)	ID WB (°F)	62	67	62	67	62	67	62	67	62	67	62	67	62	67	62	67
55	TC	33.8	36.1	35.9	39.2	42.4	35.3	37.6	37.5	41.1	43.3	38.8	39.1	39.1	43.1	44.2			
	SC	33.2	29.8	25.3	24.8	20.1	35.3	33.8	28.0	28.2	20.5	38.2	37.7	30.8	31.6	20.9			
	kW	2.04	2.06	2.06	2.08	2.09	2.18	2.18	2.18	2.17	2.20	2.29	2.30	2.30	2.26	2.31			
65	TC	32.9	34.7	34.6	38.0	41.3	34.3	36.3	36.2	39.7	42.5	37.9	38.0	37.7	41.4	43.7			
	SC	32.1	29.1	24.7	24.5	19.7	34.3	32.7	27.5	27.7	20.5	37.0	36.4	30.2	30.9	21.3			
	kW	2.19	2.20	2.20	2.22	2.24	2.31	2.31	2.32	2.32	2.35	2.43	2.43	2.44	2.43	2.47			
75	TC	31.8	33.2	33.3	36.8	40.1	33.4	35.0	34.8	38.2	41.4	36.8	36.8	36.2	39.7	42.8			
	SC	30.9	28.3	24.1	24.0	19.3	33.4	31.6	26.8	27.1	20.4	35.6	35.0	29.5	30.1	21.6			
	kW	2.37	2.38	2.39	2.40	2.42	2.49	2.49	2.50	2.51	2.54	2.62	2.61	2.62	2.62	2.65			
85	TC	30.7	31.7	31.9	35.4	38.7	32.3	33.6	33.3	36.6	40.0	35.5	35.5	34.6	37.9	41.4			
	SC	29.7	27.5	23.4	23.4	18.8	32.3	30.5	26.0	26.3	20.2	34.1	33.5	28.6	29.2	21.6			
	kW	2.60	2.59	2.61	2.62	2.63	2.71	2.71	2.72	2.73	2.75	2.84	2.82	2.83	2.85	2.87			
95	TC	29.5	30.2	30.4	33.8	37.1	31.2	32.1	31.7	34.9	38.4	34.1	34.0	32.9	36.0	39.8			
	SC	28.5	26.6	22.6	22.7	18.2	31.2	29.2	25.1	25.4	19.8	32.4	31.8	27.7	28.2	21.3			
	kW	2.86	2.85	2.86	2.87	2.88	2.97	2.97	2.98	2.99	3.00	3.10	3.08	3.09	3.11	3.12			
105	TC	28.3	28.7	28.9	32.0	35.3	29.9	30.6	30.0	33.0	36.5	32.5	32.5	31.1	33.9	37.7			
	SC	27.1	25.7	21.8	21.8	17.5	29.9	27.9	24.1	24.4	19.2	30.6	30.1	26.5	27.0	20.9			
	kW	3.16	3.15	3.16	3.16	3.17	3.27	3.27	3.27	3.28	3.29	3.40	3.38	3.39	3.40	3.40			
115	TC	26.9	27.3	27.3	30.1	33.4	28.6	29.0	28.2	31.0	34.3	30.8	30.8	29.1	31.8	35.2			
	SC	25.7	24.8	20.9	20.8	16.7	28.6	26.6	23.0	23.3	18.4	28.7	28.3	25.2	25.7	20.1			
	kW	3.50	3.49	3.50	3.49	3.49	3.61	3.61	3.61	3.60	3.60	3.74	3.72	3.72	3.72	3.71			
125	TC	25.5	25.8	25.7	28.0	31.4	27.2	27.4	26.4	28.8	31.9	28.9	29.0	27.1	29.6	32.4			
	SC	24.3	23.8	19.9	19.6	15.8	27.2	25.1	21.8	22.0	17.4	26.7	26.5	23.8	24.3	19.0			
	kW	3.88	3.87	3.87	3.86	3.85	3.99	3.99	3.98	3.96	3.95	4.11	4.10	4.10	4.07	4.06			

Cooling multipliers for determining the performance with other indoor sections

For dry bulb temperatures different than those listed (between 73 °F - 87 °F), sensible capacity increases by 1060 Btuh per 1000 CFM per degree above the listed temperature and decreases by 1060 Btuh per 1000 CFM per degree below the listed temperature.

Cool multiplier airhandler - 3 ton

Table 42: Cool multiplier air handler - 3 ton

Air handler model	Indoor coil model	TC	SC	kW
JHETB36DBCS2N1	—	1.01	1.01	0.98
JHETC36DBCS2N1	—	1.02	1.04	0.95
JHETC42FBSC2N1	—	1.02	1.03	0.99
JHVTB36DBCC2N1	—	1.01	1	0.99
JHVTC36DBCC2N1	—	1.03	1.03	0.96
JHVTC42FBCC2N1	—	1.03	1.04	0.97
JHVTD42FBCC2N1	—	1.03	1.04	0.96
JMET12BS2N1A	XAF/XAF/XAUB36D	1.02	1.01	0.98
JMET12BS4N1A	XAF/XAF/XAUB36D	1.01	1	0.98
JMET12CS2N1A	XAF/XAF/XAUC48F	1.02	1.03	0.98
JMET12CS2N1A	XAF/XAFC36D	1.02	1.02	0.98
JMET12CS2N1A	XAH/XAHC36D	1.01	1.03	0.95

Table 42: Cool multiplier air handler - 3 ton

Air handler model	Indoor coil model	TC	SC	kW
JMET12CS2N1A	XAH/XAHC48F	1.05	1.08	0.96
JMET12CS4N1A	XAF/XAF/XAUC48F	1.02	1.03	0.99
JMET12CS4N1A	XAF/XAFC36D	1.02	1.02	0.98
JMET12CS4N1A	XAH/XAHC36D	1.01	1.02	0.95
JMET12CS4N1A	XAH/XAHC48F	1.05	1.08	0.96
JMET16CS2N1A	XAF/XAF/XAUC48F	1.03	1.03	0.98
JMET16CS2N1A	XAH/XAHC36D	1.01	1.03	0.95
JMET16CS2N1A	XAH/XAHC48F	1.06	1.08	0.96
JMET16CS4N1A	XAF/XAF/XAUC48F	1.02	1.02	0.98
JMET16CS4N1A	XAF/XAFC36D	1.01	1	0.97
JMET16CS4N1A	XAH/XAHC36D	1.01	1.03	0.95
JMET16CS4N1A	XAH/XAHC48F	1.05	1.07	0.96
JMVT12BC2N1A	XAF/XAF/XAUB36D	1.01	1.01	0.99
JMVT12BC2N1A	XAH/XAHC36D	1.01	1.02	0.96
JMVT16CC2N1A	XAF/XAF/XAUC48F	1.03	1.04	0.98
JMVT16CC2N1A	XAH/XAHC48F	1.05	1.08	0.95
JMVT17CC2N1A	XAF/XAF/XAUC48F	1.03	1.04	0.98
JMVT17CC2N1A	XAF/XAFC36D	1.02	1.02	0.97
JMVT17CC2N1A	XAH/XAHC36D	1.01	1.04	0.97
JMVT17CC2N1A	XAH/XAHC48F	1.05	1.08	0.95
JMVT20DC2N1A	XAF/XAFD48F	1.03	1.04	0.97
JMVT20DC2N1A	XAH/XAHD48F	1.05	1.08	0.95

Cool multiplier furnace - 3 ton

Table 43: Cool multiplier furnace - 3 ton

Furnace model	Indoor coil model	TC	SC	kW
TL8E060A12UH11	XAF/XAF/XAUB36D	1.00	0.99	1.02
TL8E060A12UH11	XAFA30D	1.00	0.98	1.02
TL8E060A12UH11	XAH/XAHC36D	1.00	1.01	1
TL8E080C16UH11	XAF/XAF/XAUC48F	1.01	1.01	1.03
TL8E080C16UH11	XAF/XAFC36D	1.00	1	1.03
TL8E080C16UH11	XAF/XAFD48F	1.01	1.02	1.02
TL8E080C16UH11	XAH/XAHC36D	1.00	1.02	0.98
TL8E080C16UH11	XAH/XAHC48F	1.04	1.06	1
TL8E080C16UH11	XAH/XAHD48F	1.04	1.06	1
TL8E100C20UH11	XAF/XAF/XAUC48F	1.02	1.03	1
TL8E100C20UH11	XAF/XAFC36D	1.01	1	0.98
TL8E100C20UH11	XAF/XAFD48F	1.02	1.03	1
TL8E100C20UH11	XAH/XAHC36D	1.00	1.02	0.97

Table 43: Cool multiplier furnace - 3 ton

Furnace model	Indoor coil model	TC	SC	kW
TL8E100C20UH11	XAH/XAHC48F	1.05	1.07	0.98
TL8E100C20UH11	XAH/XAHD48F	1.05	1.07	0.98
TL9E060B12UH11	XAF/XAF/XAUB36D	0.99	0.97	1.01
TL9E060B12UH11	XAF/XAF/XAUC48F	1.01	1	1.04
TL9E060B12UH11	XAF/XAFC36D	1.00	0.98	1.04
TL9E060B12UH11	XAH/XAHC36D	1.00	1	0.99
TL9E060B12UH11	XAH/XAHC48F	1.04	1.05	1
TL9E080C16UH11	XAF/XAF/XAUC48F	1.02	1.02	1.03
TL9E080C16UH11	XAF/XAFC36D	1.01	1	1.01
TL9E080C16UH11	XAF/XAFD48F	1.02	1.02	1.03
TL9E080C16UH11	XAH/XAHC36D	1.00	1.01	0.98
TL9E080C16UH11	XAH/XAHC48F	1.04	1.06	1.01
TL9E080C16UH11	XAH/XAHD48F	1.04	1.06	1.01
TL9E100C20UH11	XAF/XAFC36D	1.01	1	1
TL9E100C20UH11	XAH/XAHC36D	1.00	1.02	0.98
TM8E040A12MP11	XAF/XAF/XAUB36D	1.00	0.99	1.01
TM8E040A12MP11	XAFA30D	1.00	0.98	1.02
TM8E040A12MP11	XAH/XAHB36D	1.00	1.01	0.99
TM8E060A12MP11	XAF/XAF/XAUB36D	1.00	0.99	1.02
TM8E060A12MP11	XAFA30D	1.00	0.98	1.03
TM8E060A12MP11	XAH/XAHB36D	0.99	1	1
TM8E080B12MP11	XAF/XAF/XAUB36D	1.00	0.98	1.03
TM8E080B12MP11	XAF/XAF/XAUC48F	1.01	1	1.04
TM8E080B12MP11	XAF/XAFC36D	1.00	0.98	1.03
TM8E080B12MP11	XAH/XAHB36D	0.99	1	1
TM8E080B12MP11	XAH/XAHC36D	0.99	1.01	1.02
TM8E080B12MP11	XAH/XAHC48F	1.04	1.05	1.01
TM8E080C16MP11	XAF/XAF/XAUC48F	1.01	1.01	1
TM8E080C16MP11	XAF/XAFC36D	1.00	0.99	0.99
TM8E080C16MP11	XAF/XAFD48F	1.01	1.01	1
TM8E080C16MP11	XAH/XAHC36D	1.00	1.02	0.98
TM8E080C16MP11	XAH/XAHC48F	1.05	1.07	0.98
TM8E080C16MP11	XAH/XAHD48F	1.05	1.06	0.99
TM8E100B12MP11	XAF/XAF/XAUB36D	1.00	0.99	1.01
TM8E100B12MP11	XAF/XAF/XAUC48F	1.01	1.01	1.02
TM8E100B12MP11	XAF/XAFC36D	1.00	0.99	1.01
TM8E100B12MP11	XAH/XAHB36D	1.00	1.01	1
TM8E100B12MP11	XAH/XAHC36D	1.00	1.01	0.98
TM8E100B12MP11	XAH/XAHC48F	1.05	1.06	1

Table 43: Cool multiplier furnace - 3 ton

Furnace model	Indoor coil model	TC	SC	kW
TM8E100C16MP11	XAF/XAF/XAUC48F	1.02	1.02	1.01
TM8E100C16MP11	XAF/XAFC36D	1.01	0.99	0.99
TM8E100C16MP11	XAF/XAFD48F	1.01	1.02	1
TM8E100C16MP11	XAH/XAHC36D	1.00	1.01	0.97
TM8E100C16MP11	XAH/XAHC48F	1.05	1.07	0.98
TM8E100C16MP11	XAH/XAHD48F	1.05	1.06	0.99
TM8E120C16MP11	XAF/XAF/XAUC48F	1.01	1.02	1
TM8E120C16MP11	XAF/XAFC36D	1.01	1	0.99
TM8E120C16MP11	XAF/XAFD48F	1.01	1.02	1
TM8E120C16MP11	XAH/XAHC36D	1.00	1.01	0.97
TM8E120C16MP11	XAH/XAHC48F	1.05	1.07	0.98
TM8E120C16MP11	XAH/XAHD48F	1.05	1.07	0.98
TM8V060A12MP12C	XAF/XAF/XAUB36D	1.00	0.98	1.04
TM8V060A12MP12C	XAFA30D	0.99	0.97	1.04
TM8V060A12MP12C	XAH/XAHB36D	0.99	1	1.02
TM8V080B12MP12C	XAF/XAF/XAUB36D	0.99	0.97	1.03
TM8V080B12MP12C	XAF/XAF/XAUC48F	1.00	1	1.05
TM8V080B12MP12C	XAF/XAFC36D	0.99	0.97	1.04
TM8V080B12MP12C	XAH/XAHB36D	0.99	1	1.02
TM8V080B12MP12C	XAH/XAHC36D	1.00	1	1.01
TM8V080B12MP12C	XAH/XAHC48F	1.04	1.05	1.01
TM8V080C16MP12C	XAF/XAF/XAUC48F	1.01	1.02	1.03
TM8V080C16MP12C	XAF/XAFC36D	1.01	1	1.03
TM8V080C16MP12C	XAF/XAFD48F	1.01	1.02	1.04
TM8V080C16MP12C	XAH/XAHC36D	1.00	1.01	0.99
TM8V080C16MP12C	XAH/XAHC48F	1.04	1.06	0.99
TM8V080C16MP12C	XAH/XAHD48F	1.04	1.06	0.99
TM8V100C16MP12C	XAF/XAF/XAUC48F	1.01	1.02	1.03
TM8V100C16MP12C	XAF/XAFC36D	1.01	1	1.03
TM8V100C16MP12C	XAF/XAFD48F	1.01	1.02	1.04
TM8V100C16MP12C	XAH/XAHC36D	1.00	1.01	0.99
TM8V100C16MP12C	XAH/XAHC48F	1.04	1.06	0.99
TM8V100C16MP12C	XAH/XAHD48F	1.04	1.06	0.99
TM8V100C20MP12C	XAH/XAHC48F	1.05	1.07	1
TM8V120C20MP12C	XAH/XAHC48F	1.05	1.07	1
TM8Y060A12MP11	XAF/XAF/XAUB36D	1.00	0.98	1.01
TM8Y060A12MP11	XAFA30D	0.99	0.97	1.02
TM8Y060A12MP11	XAH/XAHB36D	0.99	1	0.99
TM8Y080B12MP11	XAF/XAF/XAUB36D	1.00	0.98	1.01

Table 43: Cool multiplier furnace - 3 ton

Furnace model	Indoor coil model	TC	SC	kW
TM8Y080B12MP11	XAF/XAF/XAUC48F	1.01	1.01	1.01
TM8Y080B12MP11	XAF/XAFC36D	1.00	0.98	1
TM8Y080B12MP11	XAH/XAHB36D	1.00	1.01	0.99
TM8Y080B12MP11	XAH/XAHC36D	1.00	1.01	0.98
TM8Y080B12MP11	XAH/XAHC48F	1.05	1.06	1
TM8Y080C16MP11	XAF/XAF/XAUC48F	1.02	1.02	1.03
TM8Y080C16MP11	XAF/XAFC36D	1.01	1	0.99
TM8Y080C16MP11	XAF/XAFD48F	1.02	1.02	1.03
TM8Y080C16MP11	XAH/XAHC36D	1.01	1.02	0.98
TM8Y080C16MP11	XAH/XAHC48F	1.05	1.06	0.99
TM8Y080C16MP11	XAH/XAHD48F	1.04	1.06	0.99
TM8Y100C16MP11	XAF/XAF/XAUC48F	1.02	1.02	1.03
TM8Y100C16MP11	XAF/XAFC36D	1.01	1	0.99
TM8Y100C16MP11	XAF/XAFD48F	1.02	1.02	1.03
TM8Y100C16MP11	XAH/XAHC36D	1.01	1.02	0.98
TM8Y100C16MP11	XAH/XAHC48F	1.05	1.06	0.99
TM8Y100C16MP11	XAH/XAHD48F	1.05	1.06	0.99
TM8Y100C20MP11	XAF/XAF/XAUC48F	1.02	1.02	1.01
TM8Y100C20MP11	XAF/XAFC36D	1.01	1	0.98
TM8Y100C20MP11	XAF/XAFD48F	1.02	1.03	1
TM8Y100C20MP11	XAH/XAHC36D	1.01	1.02	0.97
TM8Y100C20MP11	XAH/XAHC48F	1.05	1.07	0.98
TM8Y100C20MP11	XAH/XAHD48F	1.05	1.07	0.98
TM8Y120C20MP11	XAF/XAF/XAUC48F	1.02	1.02	1.01
TM8Y120C20MP11	XAF/XAFC36D	1.01	1	0.98
TM8Y120C20MP11	XAF/XAFD48F	1.02	1.03	1
TM8Y120C20MP11	XAH/XAHC36D	1.01	1.02	0.97
TM8Y120C20MP11	XAH/XAHC48F	1.05	1.07	0.98
TM8Y120C20MP11	XAH/XAHD48F	1.05	1.07	0.98
TM9E060A10MP12	XAF/XAF/XAUB36D	0.99	0.97	1.03
TM9E060A10MP12	XAH/XAHB36D	0.99	1	1
TM9E060B12MP12	XAF/XAF/XAUB36D	1.00	0.99	1.03
TM9E060B12MP12	XAF/XAF/XAUC48F	1.00	1	1.05
TM9E060B12MP12	XAF/XAFC36D	0.99	0.98	1.03
TM9E060B12MP12	XAH/XAHB36D	0.99	1	1
TM9E060B12MP12	XAH/XAHC36D	0.99	1.01	1.01
TM9E060B12MP12	XAH/XAHC48F	1.04	1.05	1
TM9E080B12MP12	XAF/XAF/XAUB36D	1.00	0.98	1.03
TM9E080B12MP12	XAF/XAF/XAUC48F	1.01	1	1.04

Table 43: Cool multiplier furnace - 3 ton

Furnace model	Indoor coil model	TC	SC	kW
TM9E080B12MP12	XAF/XAFC36D	1.00	0.98	1.03
TM9E080B12MP12	XAH/XAHB36D	0.99	1	1.01
TM9E080B12MP12	XAH/XAHC36D	0.99	1.01	1.01
TM9E080B12MP12	XAH/XAHC48F	1.04	1.05	1.01
TM9E080C16MP12	XAF/XAF/XAUC48F	1.01	1.02	1.03
TM9E080C16MP12	XAF/XAFC36D	1.01	1.01	1.01
TM9E080C16MP12	XAF/XAFD48F	1.01	1.02	1.04
TM9E080C16MP12	XAH/XAHC36D	1.00	1.01	0.98
TM9E080C16MP12	XAH/XAHC48F	1.05	1.06	0.99
TM9E080C16MP12	XAH/XAHD48F	1.05	1.06	0.99
TM9E100C16MP12	XAF/XAF/XAUC48F	1.01	1.01	1.01
TM9E100C16MP12	XAF/XAFC36D	1.00	0.99	0.99
TM9E100C16MP12	XAF/XAFD48F	1.02	1.02	1.01
TM9E100C16MP12	XAH/XAHC36D	1.00	1.01	0.98
TM9E100C16MP12	XAH/XAHC48F	1.05	1.06	0.99
TM9E100C16MP12	XAH/XAHD48F	1.05	1.06	0.99
TM9V060B12MP12C	XAF/XAF/XAUB36D	0.99	0.98	1.04
TM9V060B12MP12C	XAF/XAF/XAUC48F	1.00	0.99	1.04
TM9V060B12MP12C	XAF/XAFC36D	0.99	0.98	1.03
TM9V060B12MP12C	XAH/XAHB36D	0.99	1	1.02
TM9V060B12MP12C	XAH/XAHC36D	0.99	1.01	1.02
TM9V060B12MP12C	XAH/XAHC48F	1.04	1.05	1.01
TM9V080B12MP12C	XAF/XAF/XAUB36D	1.00	0.98	1.04
TM9V080B12MP12C	XAF/XAF/XAUC48F	1.00	1	1.04
TM9V080B12MP12C	XAF/XAFC36D	1.00	0.98	1.03
TM9V080B12MP12C	XAH/XAHB36D	0.99	1	1.02
TM9V080B12MP12C	XAH/XAHC36D	0.99	1.01	1.02
TM9V080B12MP12C	XAH/XAHC48F	1.04	1.06	1.01
TM9V080C16MP12C	XAF/XAF/XAUC48F	1.01	1.02	1.05
TM9V080C16MP12C	XAF/XAFC36D	1.00	1	1.05
TM9V080C16MP12C	XAF/XAFD48F	1.01	1.02	1.04
TM9V080C16MP12C	XAH/XAHC36D	0.99	1.01	1.03
TM9V080C16MP12C	XAH/XAHC48F	1.04	1.06	1.01
TM9V080C16MP12C	XAH/XAHD48F	1.04	1.06	1.01
TM9V100C16MP12C	XAF/XAF/XAUC48F	1.02	1.02	1.02
TM9V100C16MP12C	XAF/XAFC36D	1.01	1	1.01
TM9V100C16MP12C	XAF/XAFD48F	1.02	1.02	1.01
TM9V100C16MP12C	XAH/XAHC36D	1.00	1.01	0.98
TM9V100C16MP12C	XAH/XAHC48F	1.04	1.06	0.99

Table 43: Cool multiplier furnace - 3 ton

Furnace model	Indoor coil model	TC	SC	kW
TM9V100C16MP12C	XAH/XAHD48F	1.04	1.06	0.99
TM9V100C20MP12C	XAF/XAF/XAUC48F	1.01	1.02	1.03
TM9V100C20MP12C	XAF/XAFC36D	1.01	1	1.02
TM9V100C20MP12C	XAF/XAFD48F	1.01	1.02	1.02
TM9V100C20MP12C	XAH/XAHC48F	1.04	1.06	1.01
TM9V100C20MP12C	XAH/XAHD48F	1.04	1.06	1.01
TM9V120D20MP12C	XAF/XAFD48F	1.02	1.03	1.01
TM9V120D20MP12C	XAH/XAHD48F	1.05	1.07	0.99
TM9Y060B12MP11	XAF/XAF/XAUB36D	0.99	0.98	1.03
TM9Y060B12MP11	XAF/XAF/XAUC48F	1.01	1	1.04
TM9Y060B12MP11	XAF/XAFC36D	1.00	0.98	1.03
TM9Y060B12MP11	XAH/XAHB36D	0.99	1	1
TM9Y060B12MP11	XAH/XAHC36D	0.99	1	1.01
TM9Y060B12MP11	XAH/XAHC48F	1.04	1.05	1.01
TM9Y080B12MP11	XAF/XAF/XAUB36D	1.00	0.99	1.03
TM9Y080B12MP11	XAF/XAF/XAUC48F	1.00	1	1.04
TM9Y080B12MP11	XAF/XAFC36D	1.00	0.99	1.04
TM9Y080B12MP11	XAH/XAHB36D	1.00	1	1
TM9Y080B12MP11	XAH/XAHC36D	0.99	1.01	1.01
TM9Y080B12MP11	XAH/XAHC48F	1.04	1.05	1
TM9Y080C16MP11	XAF/XAF/XAUC48F	1.01	1.01	1.03
TM9Y080C16MP11	XAF/XAFC36D	1.00	0.99	1.02
TM9Y080C16MP11	XAF/XAFD48F	1.01	1.01	1.01
TM9Y080C16MP11	XAH/XAHC36D	1.00	1.01	0.98
TM9Y080C16MP11	XAH/XAHC48F	1.04	1.06	1.01
TM9Y080C16MP11	XAH/XAHD48F	1.04	1.06	1.01
TM9Y100C16MP11	XAF/XAF/XAUC48F	1.01	1.01	1.03
TM9Y100C16MP11	XAF/XAFC36D	1.00	0.99	1.02
TM9Y100C16MP11	XAF/XAFD48F	1.01	1.01	1.03
TM9Y100C16MP11	XAH/XAHC36D	1.00	1.01	0.98
TM9Y100C16MP11	XAH/XAHC48F	1.04	1.06	1.01
TM9Y100C16MP11	XAH/XAHD48F	1.04	1.06	1.01
TM9Y120D20MP11	XAF/XAFD48F	1.02	1.02	1
TM9Y120D20MP11	XAH/XAHD48F	1.05	1.06	0.98
TMLE040A12MP11	XAF/XAF/XAUB36D	1.00	0.99	1.01
TMLE040A12MP11	XAFA30D	1.00	0.98	1.02
TMLE040A12MP11	XAH/XAHB36D	1.00	1.01	0.99
TMLE060A12MP11	XAF/XAF/XAUB36D	1.00	0.99	1.02
TMLE060A12MP11	XAFA30D	1.00	0.98	1.03

Table 43: Cool multiplier furnace - 3 ton

Furnace model	Indoor coil model	TC	SC	kW
TMLE060A12MP11	XAH/XAHB36D	0.99	1	1
TMLE080B12MP11	XAF/XAF/XAUB36D	1.00	0.98	1.03
TMLE080B12MP11	XAF/XAF/XAUC48F	1.01	1	1.04
TMLE080B12MP11	XAF/XAFC36D	1.00	0.98	1.03
TMLE080B12MP11	XAH/XAHB36D	0.99	1	1
TMLE080B12MP11	XAH/XAHC36D	0.99	1.01	1.02
TMLE080B12MP11	XAH/XAHC48F	1.04	1.05	1.01
TMLE080C16MP11	XAF/XAF/XAUC48F	1.01	1.01	1
TMLE080C16MP11	XAF/XAFC36D	1.00	0.99	0.99
TMLE080C16MP11	XAF/XAFD48F	1.01	1.01	1
TMLE080C16MP11	XAH/XAHC36D	1.00	1.02	0.98
TMLE080C16MP11	XAH/XAHC48F	1.05	1.07	0.98
TMLE080C16MP11	XAH/XAHD48F	1.05	1.06	0.99
TMLE100B12MP11	XAF/XAF/XAUB36D	1.00	0.99	1.01
TMLE100B12MP11	XAF/XAF/XAUC48F	1.01	1.01	1.02
TMLE100B12MP11	XAF/XAFC36D	1.00	0.99	1.01
TMLE100B12MP11	XAH/XAHB36D	1.00	1.01	1
TMLE100B12MP11	XAH/XAHC36D	1.00	1.01	0.98
TMLE100B12MP11	XAH/XAHC48F	1.05	1.06	1
TMLE100C16MP11	XAF/XAF/XAUC48F	1.02	1.02	1.01
TMLE100C16MP11	XAF/XAFC36D	1.01	0.99	0.99
TMLE100C16MP11	XAF/XAFD48F	1.01	1.02	1
TMLE100C16MP11	XAH/XAHC36D	1.00	1.01	0.97
TMLE100C16MP11	XAH/XAHC48F	1.05	1.07	0.98
TMLE100C16MP11	XAH/XAHD48F	1.05	1.06	0.99
TMLE120C16MP11	XAF/XAF/XAUC48F	1.01	1.02	1
TMLE120C16MP11	XAF/XAFC36D	1.01	1	0.99
TMLE120C16MP11	XAF/XAFD48F	1.01	1.02	1
TMLE120C16MP11	XAH/XAHC36D	1.00	1.01	0.97
TMLE120C16MP11	XAH/XAHC48F	1.05	1.07	0.98
TMLE120C16MP11	XAH/XAHD48F	1.05	1.07	0.98
TMLV060A12MP12C	XAF/XAF/XAUB36D	1.00	0.98	1.04
TMLV060A12MP12C	XAFA30D	0.99	0.97	1.04
TMLV060A12MP12C	XAH/XAHB36D	0.99	1	1.02
TMLV100C16MP12C	XAF/XAF/XAUC48F	1.01	1.02	1.03
TMLV100C16MP12C	XAF/XAFC36D	1.01	1	1.03
TMLV100C16MP12C	XAF/XAFD48F	1.01	1.02	1.04
TMLV100C16MP12C	XAH/XAHC36D	1.00	1.01	0.99
TMLV100C16MP12C	XAH/XAHC48F	1.04	1.06	0.99

Table 43: Cool multiplier furnace - 3 ton

Furnace model	Indoor coil model	TC	SC	kW
TMLV100C16MP12C	XAH/XAHD48F	1.04	1.06	0.99
TMLV120C20MP12C	XAH/XAHC48F	1.05	1.07	1
TP9C060B12MP13C	XAF/XAF/XAUB36D	0.99	0.98	1.04
TP9C060B12MP13C	XAF/XAF/XAUC48F	1.00	0.99	1.04
TP9C060B12MP13C	XAF/XAFC36D	0.99	0.98	1.03
TP9C060B12MP13C	XAH/XAHB36D	0.99	1	1.02
TP9C060B12MP13C	XAH/XAHC36D	0.99	1.01	1.02
TP9C060B12MP13C	XAH/XAHC48F	1.04	1.05	1.01
TP9C080B12MP13C	XAF/XAF/XAUB36D	1.00	0.98	1.04
TP9C080B12MP13C	XAF/XAF/XAUC48F	1.00	1	1.04
TP9C080B12MP13C	XAF/XAFC36D	1.00	0.98	1.03
TP9C080B12MP13C	XAH/XAHB36D	0.99	1	1.02
TP9C080B12MP13C	XAH/XAHC36D	0.99	1.01	1.02
TP9C080B12MP13C	XAH/XAHC48F	1.04	1.06	1.01
TP9C080C16MP13C	XAF/XAF/XAUC48F	1.01	1.02	1.05
TP9C080C16MP13C	XAF/XAFC36D	1.00	1	1.05
TP9C080C16MP13C	XAF/XAFD48F	1.01	1.02	1.04
TP9C080C16MP13C	XAH/XAHC36D	0.99	1.01	1.03
TP9C080C16MP13C	XAH/XAHC48F	1.04	1.06	1.01
TP9C080C16MP13C	XAH/XAHD48F	1.04	1.06	1.01
TP9C100C16MP13C	XAF/XAF/XAUC48F	1.02	1.02	1.02
TP9C100C16MP13C	XAF/XAFC36D	1.01	1	1.01
TP9C100C16MP13C	XAF/XAFD48F	1.02	1.02	1.01
TP9C100C16MP13C	XAH/XAHC36D	1.00	1.01	0.98
TP9C100C16MP13C	XAH/XAHC48F	1.04	1.06	0.99
TP9C100C16MP13C	XAH/XAHD48F	1.04	1.06	0.99
TP9C100C20MP13C	XAF/XAF/XAUC48F	1.01	1.02	1.03
TP9C100C20MP13C	XAF/XAFC36D	1.01	1	1.02
TP9C100C20MP13C	XAF/XAFD48F	1.01	1.02	1.02
TP9C100C20MP13C	XAH/XAHC48F	1.04	1.06	1.01
TP9C100C20MP13C	XAH/XAHD48F	1.04	1.06	1.01
TP9C120D20MP13C	XAF/XAFD48F	1.02	1.03	1.01
TP9C120D20MP13C	XAH/XAHD48F	1.05	1.07	0.99
TPLC060A12MP13C	XAF/XAF/XAUB36D	1.00	0.98	1.04
TPLC060A12MP13C	XAFA30D	0.99	0.97	1.04
TPLC060A12MP13C	XAH/XAHB36D	0.99	1	1.02
TPLC080B12MP13C	XAF/XAF/XAUB36D	0.99	0.97	1.03
TPLC080B12MP13C	XAF/XAF/XAUC48F	1.00	1	1.05
TPLC080B12MP13C	XAF/XAFC36D	0.99	0.97	1.04

Table 43: Cool multiplier furnace - 3 ton

Furnace model	Indoor coil model	TC	SC	kW
TPLC080B12MP13C	XAH/XAHB36D	0.99	1	1.02
TPLC080B12MP13C	XAH/XAHC36D	1.00	1	1.01
TPLC080B12MP13C	XAH/XAHC48F	1.04	1.05	1.01
TPLC080C16MP13C	XAF/XAF/XAUC48F	1.01	1.02	1.03
TPLC080C16MP13C	XAF/XAFC36D	1.01	1	1.03
TPLC080C16MP13C	XAF/XAFD48F	1.01	1.02	1.04
TPLC080C16MP13C	XAH/XAHC36D	1.00	1.01	0.99
TPLC080C16MP13C	XAH/XAHC48F	1.04	1.06	0.99
TPLC080C16MP13C	XAH/XAHD48F	1.04	1.06	0.99
TPLC100C16MP13C	XAF/XAF/XAUC48F	1.01	1.02	1.03
TPLC100C16MP13C	XAF/XAFC36D	1.01	1	1.03
TPLC100C16MP13C	XAF/XAFD48F	1.01	1.02	1.04
TPLC100C16MP13C	XAH/XAHC36D	1.00	1.01	0.99
TPLC100C16MP13C	XAH/XAHC48F	1.04	1.06	0.99
TPLC100C16MP13C	XAH/XAHD48F	1.04	1.06	0.99
TPLC100C20MP13C	XAH/XAHC48F	1.05	1.07	1
TPLC120C20MP13C	XAH/XAHC48F	1.05	1.07	1
YP9C060B12MP13C	XAF/XAF/XAUB36D	0.99	0.98	1.04
YP9C060B12MP13C	XAF/XAF/XAUC48F	1.00	0.99	1.04
YP9C060B12MP13C	XAF/XAFC36D	0.99	0.98	1.03
YP9C060B12MP13C	XAH/XAHB36D	0.99	1	1.02
YP9C060B12MP13C	XAH/XAHC36D	0.99	1.01	1.02
YP9C060B12MP13C	XAH/XAHC48F	1.04	1.05	1.01
YP9C080B12MP13C	XAF/XAF/XAUB36D	1.00	0.98	1.04
YP9C080B12MP13C	XAF/XAF/XAUC48F	1.00	1	1.04
YP9C080B12MP13C	XAF/XAFC36D	1.00	0.98	1.03
YP9C080B12MP13C	XAH/XAHB36D	0.99	1	1.02
YP9C080B12MP13C	XAH/XAHC36D	0.99	1.01	1.02
YP9C080B12MP13C	XAH/XAHC48F	1.04	1.06	1.01
YP9C080C16MP13C	XAF/XAF/XAUC48F	1.01	1.02	1.05
YP9C080C16MP13C	XAF/XAFC36D	1.00	1	1.05
YP9C080C16MP13C	XAF/XAFD48F	1.01	1.02	1.04
YP9C080C16MP13C	XAH/XAHC36D	0.99	1.01	1.03
YP9C080C16MP13C	XAH/XAHC48F	1.04	1.06	1.01
YP9C080C16MP13C	XAH/XAHD48F	1.04	1.06	1.01
YP9C100C16MP13C	XAF/XAF/XAUC48F	1.02	1.02	1.02
YP9C100C16MP13C	XAF/XAFC36D	1.01	1	1.01
YP9C100C16MP13C	XAF/XAFD48F	1.02	1.02	1.01
YP9C100C16MP13C	XAH/XAHC36D	1.00	1.01	0.98

Table 43: Cool multiplier furnace - 3 ton

Furnace model	Indoor coil model	TC	SC	kW
YP9C100C16MP13C	XAH/XAHC48F	1.04	1.06	0.99
YP9C100C16MP13C	XAH/XAHD48F	1.04	1.06	0.99
YP9C100C20MP13C	XAF/XAF/XAUC48F	1.01	1.02	1.03
YP9C100C20MP13C	XAF/XAFC36D	1.01	1	1.02
YP9C100C20MP13C	XAF/XAFD48F	1.01	1.02	1.02
YP9C100C20MP13C	XAH/XAHC48F	1.04	1.06	1.01
YP9C100C20MP13C	XAH/XAHD48F	1.04	1.06	1.01
YP9C120D20MP13C	XAF/XAFD48F	1.02	1.03	1.01
YP9C120D20MP13C	XAH/XAHD48F	1.05	1.07	0.99
YPLC060A12MP13C	XAF/XAF/XAUB36D	1.00	0.98	1.04
YPLC060A12MP13C	XAFA30D	0.99	0.97	1.04
YPLC060A12MP13C	XAH/XAHB36D	0.99	1	1.02
YPLC080B12MP13C	XAF/XAF/XAUB36D	0.99	0.97	1.03
YPLC080B12MP13C	XAF/XAF/XAUC48F	1.00	1	1.05
YPLC080B12MP13C	XAF/XAFC36D	0.99	0.97	1.04
YPLC080B12MP13C	XAH/XAHB36D	0.99	1	1.02
YPLC080B12MP13C	XAH/XAHC36D	1.00	1	1.01
YPLC080B12MP13C	XAH/XAHC48F	1.04	1.05	1.01
YPLC080C16MP13C	XAF/XAF/XAUC48F	1.01	1.02	1.03
YPLC080C16MP13C	XAF/XAFC36D	1.01	1	1.03
YPLC080C16MP13C	XAF/XAFD48F	1.01	1.02	1.04
YPLC080C16MP13C	XAH/XAHC36D	1.00	1.01	0.99
YPLC080C16MP13C	XAH/XAHC48F	1.04	1.06	0.99
YPLC080C16MP13C	XAH/XAHD48F	1.04	1.06	0.99
YPLC100C16MP13C	XAF/XAF/XAUC48F	1.01	1.02	1.03
YPLC100C16MP13C	XAF/XAFC36D	1.01	1	1.03
YPLC100C16MP13C	XAF/XAFD48F	1.01	1.02	1.04
YPLC100C16MP13C	XAH/XAHC36D	1.00	1.01	0.99
YPLC100C16MP13C	XAH/XAHC48F	1.04	1.06	0.99
YPLC100C16MP13C	XAH/XAHD48F	1.04	1.06	0.99
YPLC100C20MP13C	XAH/XAHC48F	1.05	1.07	1
YPLC120C20MP13C	XAH/XAHC48F	1.05	1.07	1

Heating performance data - 3 ton

Table 44: Heating performance data - 3 ton

Air temperature entering outdoor unit (°F)	Air temperature entering indoor unit (°F)	ID CFM								
		1500			1750			2000		
		MBH	COP	kW	MBH	COP	kW	MBH	COP	kW
60	60	39.80	4.16	2.80	40.50	4.31	2.75	41.20	4.47	2.70
	70	36.80	3.57	3.02	38.90	3.85	2.96	40.90	4.13	2.90
	80	37.90	3.34	3.32	38.80	3.50	3.25	39.70	3.66	3.18
47	60	34.60	3.74	2.71	35.20	3.85	2.68	35.80	3.96	2.65
	70	32.20	3.23	2.92	33.90	3.44	2.88	35.50	3.66	2.84
	80	33.10	3.03	3.20	33.90	3.15	3.16	34.70	3.26	3.11
40	60	31.80	3.51	2.66	32.40	3.59	2.64	32.90	3.68	2.62
	70	29.80	3.04	2.87	31.20	3.22	2.84	32.60	3.40	2.81
	80	30.50	2.85	3.13	31.20	2.95	3.11	31.90	3.04	3.08
30	60	27.80	3.15	2.58	28.30	3.21	2.59	28.80	3.26	2.59
	70	26.20	2.75	2.79	27.30	2.88	2.78	28.40	3.01	2.77
	80	26.80	2.58	3.04	27.40	2.65	3.03	28.00	2.72	3.02
17	60	22.60	2.66	2.49	23.00	2.68	2.51	23.40	2.70	2.54
	70	21.60	2.35	2.69	22.30	2.42	2.70	23.10	2.49	2.71
	80	22.00	2.20	2.92	22.50	2.24	2.94	22.90	2.28	2.95
10	60	19.80	2.38	2.44	20.20	2.39	2.47	20.50	2.39	2.51
	70	19.10	2.13	2.64	19.70	2.17	2.66	20.20	2.21	2.68
	80	19.40	1.99	2.86	19.80	2.01	2.89	20.20	2.03	2.92
0	60	15.80	1.96	2.36	16.10	1.95	2.42	16.40	1.94	2.47
	70	15.60	1.79	2.56	15.80	1.78	2.60	16.00	1.78	2.63
	80	15.70	1.66	2.76	16.00	1.67	2.81	16.30	1.67	2.86

Heating multipliers for determining the performance with other indoor sections

Heat Multiplier air handler - 3 ton

Table 45: Heat multiplier air handler - 3 ton

Air handler model	Indoor coil model	MBH	COP	kW
JHETB36DBCS2N1	—	1.02	1.07	0.95
JHETC36DBCS2N1	—	1.23	1.42	0.88
JHETC42FBCS2N1	—	1.00	1.06	0.95
JHVTB36DBCC2N1	—	1.03	1.08	0.96
JHVTC36DBCC2N1	—	1.00	1.08	0.92
JHVTC42FBCC2N1	—	1.00	1.07	0.93
JHVTD42FBCC2N1	—	0.99	1.08	0.91
JMET12BS2N1A	XAF/XAF/XAUB36D	1.02	1.07	0.95
JMET12BS4N1A	XAF/XAF/XAUB36D	1.02	1.06	0.96
JMET12CS2N1A	XAF/XAF/XAUC48F	1.00	1.06	0.94
JMET12CS2N1A	XAF/XAFC36D	1.01	1.06	0.95
JMET12CS2N1A	XAH/XAHC36D	1.00	1.06	0.94
JMET12CS2N1A	XAH/XAHC48F	1.01	1.08	0.94
JMET12CS4N1A	XAF/XAF/XAUC48F	1.00	1.05	0.95
JMET12CS4N1A	XAF/XAFC36D	1.00	1.05	0.95
JMET12CS4N1A	XAH/XAHC36D	1.00	1.06	0.95

Table 45: Heat multiplier air handler - 3 ton

Air handler model	Indoor coil model	MBH	COP	kW
JMET12CS4N1A	XAH/XAHC48F	1.00	1.07	0.94
JMET16CS2N1A	XAF/XAF/XAUC48F	1.01	1.08	0.94
JMET16CS2N1A	XAF/XAFC36D	1.02	1.08	0.94
JMET16CS2N1A	XAH/XAHC36D	1.00	1.06	0.94
JMET16CS2N1A	XAH/XAHC48F	1.01	1.07	0.94
JMET16CS4N1A	XAF/XAF/XAUC48F	1.02	1.08	0.94
JMET16CS4N1A	XAF/XAFC36D	1.03	1.09	0.94
JMET16CS4N1A	XAH/XAHC36D	1.01	1.07	0.94
JMET16CS4N1A	XAH/XAHC48F	1.02	1.08	0.94
JMVT12BC2N1A	XAF/XAF/XAUB36D	1.02	1.07	0.95
JMVT12BC2N1A	XAH/XAHC36D	1.01	1.06	0.95
JMVT16CC2N1A	XAF/XAF/XAUC48F	1.00	1.07	0.93
JMVT16CC2N1A	XAF/XAFC36D	1.00	1.06	0.94
JMVT16CC2N1A	XAH/XAHC36D	0.98	1.05	0.94
JMVT16CC2N1A	XAH/XAHC48F	1.00	1.08	0.93
JMVT17CC2N1A	XAF/XAF/XAUC48F	1.00	1.07	0.93
JMVT17CC2N1A	XAF/XAFC36D	1.00	1.06	0.94
JMVT17CC2N1A	XAH/XAHC36D	0.98	1.05	0.94
JMVT17CC2N1A	XAH/XAHC48F	1.00	1.08	0.93
JMVT20DC2N1A	XAF/XAFD48F	0.99	1.08	0.91
JMVT20DC2N1A	XAH/XAHD48F	0.99	1.07	0.93

Heat multiplier furnace - 3 ton

Table 46: Heat multiplier furnace - 3 ton

Furnace model	Indoor coil model	MBH	COP	kW
TL8E060A12UH11	XAF/XAF/XAUB36D	1.04	1.05	0.99
TL8E060A12UH11	XAFA30D	1.05	1.05	1.00
TL8E060A12UH11	XAH/XAHC36D	1.02	1.02	1.00
TL8E080C16UH11	XAF/XAF/XAUC48F	1.01	1.01	1.00
TL8E080C16UH11	XAF/XAFC36D	1.01	1.01	1.00
TL8E080C16UH11	XAF/XAFD48F	1.01	1.04	0.97
TL8E080C16UH11	XAH/XAHC36D	1.01	1.04	0.97
TL8E080C16UH11	XAH/XAHC48F	1.01	1.03	0.98
TL8E080C16UH11	XAH/XAHD48F	1.01	1.03	0.98
TL8E100C20UH11	XAF/XAF/XAUC48F	1.01	1.06	0.96
TL8E100C20UH11	XAF/XAFC36D	1.02	1.06	0.96
TL8E100C20UH11	XAF/XAFD48F	1.01	1.06	0.95
TL8E100C20UH11	XAH/XAHC36D	1.00	1.04	0.97
TL8E100C20UH11	XAH/XAHC48F	1.01	1.05	0.96

Table 46: Heat multiplier furnace - 3 ton

Furnace model	Indoor coil model	MBH	COP	kW
TL8E100C20UH11	XAH/XAHD48F	1.01	1.05	0.96
TL9E060B12UH11	XAF/XAF/XAUB36D	1.06	1.08	0.98
TL9E060B12UH11	XAF/XAF/XAUC48F	1.03	1.03	1.00
TL9E060B12UH11	XAF/XAFC36D	1.05	1.04	1.01
TL9E060B12UH11	XAH/XAHC48F	1.05	1.06	0.98
TL9E080C16UH11	XAF/XAF/XAUC48F	1.02	1.03	0.99
TL9E080C16UH11	XAF/XAFC36D	1.02	1.03	0.99
TL9E080C16UH11	XAF/XAFD48F	1.02	1.03	0.98
TL9E080C16UH11	XAH/XAHC36D	1.02	1.04	0.98
TL9E080C16UH11	XAH/XAHC48F	1.01	1.02	0.99
TL9E080C16UH11	XAH/XAHD48F	1.01	1.02	0.99
TL9E100C20UH11	XAF/XAFC36D	1.02	1.06	0.96
TL9E100C20UH11	XAH/XAHC36D	1.00	1.03	0.97
TM8E040A12MP11	XAF/XAF/XAUB36D	1.04	1.06	0.98
TM8E040A12MP11	XAFA30D	1.05	1.06	0.99
TM8E040A12MP11	XAH/XAHB36D	1.02	1.04	0.98
TM8E060A12MP11	XAFA30D	1.05	1.05	1.00
TM8E060A12MP11	XAH/XAHB36D	1.02	1.02	0.99
TM8E080B12MP11	XAF/XAF/XAUB36D	1.03	1.03	1.01
TM8E080B12MP11	XAF/XAF/XAUC48F	1.03	1.02	1.01
TM8E080B12MP11	XAF/XAFC36D	1.03	1.03	1.01
TM8E080B12MP11	XAH/XAHB36D	1.02	1.02	0.99
TM8E080B12MP11	XAH/XAHC48F	1.03	1.04	0.99
TM8E080C16MP11	XAF/XAF/XAUC48F	1.03	1.07	0.96
TM8E080C16MP11	XAF/XAFC36D	1.03	1.07	0.96
TM8E080C16MP11	XAF/XAFD48F	1.03	1.07	0.96
TM8E080C16MP11	XAH/XAHC36D	1.01	1.05	0.97
TM8E080C16MP11	XAH/XAHC48F	1.02	1.06	0.96
TM8E080C16MP11	XAH/XAHD48F	1.02	1.06	0.96
TM8E100B12MP11	XAF/XAF/XAUB36D	1.04	1.05	0.98
TM8E100B12MP11	XAF/XAF/XAUC48F	1.03	1.05	0.98
TM8E100B12MP11	XAF/XAFC36D	1.03	1.05	0.98
TM8E100B12MP11	XAH/XAHB36D	1.02	1.03	0.99
TM8E100B12MP11	XAH/XAHC36D	1.02	1.05	0.97
TM8E100B12MP11	XAH/XAHC48F	1.02	1.04	0.98
TM8E100C16MP11	XAF/XAF/XAUC48F	1.02	1.06	0.96
TM8E100C16MP11	XAF/XAFD48F	1.02	1.06	0.96
TM8E100C16MP11	XAH/XAHC36D	1.01	1.04	0.97
TM8E100C16MP11	XAH/XAHC48F	1.02	1.06	0.96

Table 46: Heat multiplier furnace - 3 ton

Furnace model	Indoor coil model	MBH	COP	kW
TM8E100C16MP11	XAH/XAHD48F	1.02	1.05	0.97
TM8E120C16MP11	XAF/XAF/XAUC48F	1.02	1.06	0.96
TM8E120C16MP11	XAF/XAFC36D	1.03	1.07	0.96
TM8E120C16MP11	XAF/XAFD48F	1.02	1.06	0.96
TM8E120C16MP11	XAH/XAHC36D	1.01	1.04	0.97
TM8E120C16MP11	XAH/XAHC48F	1.02	1.06	0.96
TM8E120C16MP11	XAH/XAHD48F	1.02	1.06	0.96
TM8V060A12MP12C	XAF/XAF/XAUB36D	1.03	1.02	1.01
TM8V060A12MP12C	XAFA30D	1.04	1.03	1.02
TM8V060A12MP12C	XAH/XAHB36D	1.02	1.01	1.01
TM8V080B12MP12C	XAF/XAF/XAUB36D	1.05	1.05	1.00
TM8V080B12MP12C	XAF/XAF/XAUC48F	1.04	1.03	1.01
TM8V080B12MP12C	XAF/XAFC36D	1.05	1.03	1.01
TM8V080B12MP12C	XAH/XAHB36D	1.03	1.02	1.01
TM8V080B12MP12C	XAH/XAHC36D	1.03	1.03	1.00
TM8V080B12MP12C	XAH/XAHC48F	1.04	1.05	1.00
TM8V080C16MP12C	XAF/XAF/XAUC48F	1.01	1.03	0.98
TM8V080C16MP12C	XAF/XAFD48F	1.01	1.02	0.99
TM8V080C16MP12C	XAH/XAHC36D	1.00	1.03	0.97
TM8V080C16MP12C	XAH/XAHC48F	1.02	1.05	0.97
TM8V080C16MP12C	XAH/XAHD48F	1.02	1.04	0.97
TM8V100C16MP12C	XAF/XAF/XAUC48F	1.01	1.02	0.98
TM8V100C16MP12C	XAF/XAFC36D	1.01	1.02	0.99
TM8V100C16MP12C	XAF/XAFD48F	1.01	1.02	0.99
TM8V100C16MP12C	XAH/XAHC36D	1.00	1.03	0.97
TM8V100C16MP12C	XAH/XAHC48F	1.02	1.05	0.97
TM8V100C16MP12C	XAH/XAHD48F	1.02	1.04	0.97
TM8V100C20MP12C	XAH/XAHC48F	1.00	1.03	0.97
TM8V120C20MP12C	XAH/XAHC48F	1.00	1.03	0.97
TM8Y060A12MP11	XAF/XAF/XAUB36D	1.05	1.07	0.98
TM8Y060A12MP11	XAH/XAHB36D	1.03	1.03	0.99
TM8Y080B12MP11	XAF/XAF/XAUB36D	1.05	1.07	0.98
TM8Y080B12MP11	XAF/XAF/XAUC48F	1.04	1.06	0.98
TM8Y080B12MP11	XAF/XAFC36D	1.04	1.07	0.98
TM8Y080B12MP11	XAH/XAHB36D	1.02	1.04	0.98
TM8Y080B12MP11	XAH/XAHC36D	1.02	1.04	0.98
TM8Y080B12MP11	XAH/XAHC48F	1.03	1.05	0.98
TM8Y080C16MP11	XAF/XAF/XAUC48F	1.01	1.02	0.99
TM8Y080C16MP11	XAF/XAFC36D	1.02	1.06	0.97

Table 46: Heat multiplier furnace - 3 ton

Furnace model	Indoor coil model	MBH	COP	kW
TM8Y080C16MP11	XAF/XAFD48F	1.01	1.02	0.99
TM8Y080C16MP11	XAH/XAHC36D	1.01	1.03	0.98
TM8Y080C16MP11	XAH/XAHC48F	1.01	1.04	0.97
TM8Y080C16MP11	XAH/XAHD48F	1.02	1.04	0.97
TM8Y100C16MP11	XAF/XAF/XAUC48F	1.01	1.02	0.99
TM8Y100C16MP11	XAF/XAFC36D	1.02	1.06	0.97
TM8Y100C16MP11	XAF/XAFD48F	1.01	1.02	0.99
TM8Y100C16MP11	XAH/XAHC36D	1.01	1.03	0.98
TM8Y100C16MP11	XAH/XAHC48F	1.01	1.04	0.97
TM8Y100C16MP11	XAH/XAHD48F	1.01	1.04	0.97
TM8Y100C20MP11	XAF/XAF/XAUC48F	1.01	1.04	0.97
TM8Y100C20MP11	XAF/XAFC36D	1.02	1.07	0.96
TM8Y100C20MP11	XAF/XAFD48F	1.02	1.06	0.96
TM8Y100C20MP11	XAH/XAHC36D	1.01	1.04	0.96
TM8Y100C20MP11	XAH/XAHC48F	1.01	1.06	0.96
TM8Y100C20MP11	XAH/XAHD48F	1.01	1.06	0.96
TM8Y120C20MP11	XAF/XAF/XAUC48F	1.01	1.04	0.97
TM8Y120C20MP11	XAF/XAFD48F	1.02	1.06	0.96
TM8Y120C20MP11	XAH/XAHC36D	1.01	1.04	0.96
TM8Y120C20MP11	XAH/XAHC48F	1.01	1.06	0.96
TM8Y120C20MP11	XAH/XAHD48F	1.01	1.06	0.96
TM9E060A10MP12	XAF/XAF/XAUB36D	1.05	1.05	1.00
TM9E060A10MP12	XAH/XAHB36D	1.03	1.04	0.99
TM9E060B12MP12	XAF/XAF/XAUB36D	1.04	1.03	1.01
TM9E060B12MP12	XAF/XAF/XAUC48F	1.04	1.02	1.02
TM9E060B12MP12	XAF/XAFC36D	1.04	1.03	1.01
TM9E060B12MP12	XAH/XAHB36D	1.03	1.01	1.01
TM9E060B12MP12	XAH/XAHC36D	1.02	1.01	1.01
TM9E060B12MP12	XAH/XAHC48F	1.04	1.05	0.99
TM9E080B12MP12	XAF/XAF/XAUB36D	1.03	1.03	1.01
TM9E080B12MP12	XAF/XAF/XAUC48F	1.02	1.03	1.00
TM9E080B12MP12	XAH/XAHB36D	1.02	1.02	1.00
TM9E080B12MP12	XAH/XAHC36D	1.02	1.01	1.01
TM9E080B12MP12	XAH/XAHC48F	1.03	1.04	0.99
TM9E080C16MP12	XAF/XAF/XAUC48F	1.01	1.00	1.01
TM9E080C16MP12	XAF/XAFC36D	1.02	1.01	1.00
TM9E080C16MP12	XAF/XAFD48F	1.01	1.00	1.01
TM9E080C16MP12	XAH/XAHC36D	1.02	1.04	0.98
TM9E080C16MP12	XAH/XAHC48F	1.02	1.05	0.97

Table 46: Heat multiplier furnace - 3 ton

Furnace model	Indoor coil model	MBH	COP	kW
TM9E080C16MP12	XAH/XAHD48F	1.02	1.05	0.97
TM9E100C16MP12	XAF/XAF/XAUC48F	1.02	1.06	0.96
TM9E100C16MP12	XAF/XAFC36D	1.03	1.07	0.97
TM9E100C16MP12	XAF/XAFD48F	1.02	1.06	0.96
TM9E100C16MP12	XAH/XAHC36D	1.02	1.04	0.98
TM9E100C16MP12	XAH/XAHC48F	1.02	1.05	0.97
TM9E100C16MP12	XAH/XAHD48F	1.02	1.05	0.97
TM9V060B12MP12C	XAF/XAF/XAUB36D	1.04	1.03	1.01
TM9V060B12MP12C	XAF/XAF/XAUC48F	1.03	1.03	1.00
TM9V060B12MP12C	XAF/XAFC36D	1.04	1.04	1.00
TM9V060B12MP12C	XAH/XAHB36D	1.03	1.02	1.01
TM9V060B12MP12C	XAH/XAHC36D	1.02	1.01	1.01
TM9V060B12MP12C	XAH/XAHC48F	1.04	1.05	0.99
TM9V080B12MP12C	XAF/XAF/XAUB36D	1.03	1.03	1.01
TM9V080B12MP12C	XAF/XAF/XAUC48F	1.03	1.03	0.99
TM9V080B12MP12C	XAF/XAFC36D	1.03	1.03	1.00
TM9V080B12MP12C	XAH/XAHB36D	1.02	1.01	1.01
TM9V080B12MP12C	XAH/XAHC36D	1.02	1.01	1.01
TM9V080B12MP12C	XAH/XAHC48F	1.03	1.05	0.98
TM9V080C16MP12C	XAF/XAF/XAUC48F	1.01	1.01	1.00
TM9V080C16MP12C	XAF/XAFC36D	1.01	1.00	1.01
TM9V080C16MP12C	XAF/XAFD48F	1.01	1.01	1.00
TM9V080C16MP12C	XAH/XAHC36D	1.01	0.99	1.02
TM9V080C16MP12C	XAH/XAHC48F	1.02	1.03	0.98
TM9V080C16MP12C	XAH/XAHD48F	1.02	1.03	0.98
TM9V100C16MP12C	XAF/XAF/XAUC48F	1.01	1.05	0.96
TM9V100C16MP12C	XAF/XAFC36D	1.01	1.04	0.97
TM9V100C16MP12C	XAF/XAFD48F	1.01	1.05	0.96
TM9V100C16MP12C	XAH/XAHC36D	1.01	1.04	0.97
TM9V100C16MP12C	XAH/XAHC48F	1.01	1.04	0.96
TM9V100C16MP12C	XAH/XAHD48F	1.01	1.04	0.96
TM9V100C20MP12C	XAF/XAF/XAUC48F	1.01	1.03	0.98
TM9V100C20MP12C	XAF/XAFC36D	1.01	1.02	0.98
TM9V100C20MP12C	XAF/XAFD48F	1.01	1.04	0.97
TM9V100C20MP12C	XAH/XAHC48F	1.00	1.02	0.98
TM9V100C20MP12C	XAH/XAHD48F	1.00	1.02	0.98
TM9V120D20MP12C	XAF/XAFD48F	1.00	1.04	0.96
TM9V120D20MP12C	XAH/XAHD48F	1.01	1.05	0.96
TM9Y060B12MP11	XAF/XAF/XAUB36D	1.05	1.04	1.01

Table 46: Heat multiplier furnace - 3 ton

Furnace model	Indoor coil model	MBH	COP	kW
TM9Y060B12MP11	XAF/XAF/XAUC48F	1.04	1.03	1.01
TM9Y060B12MP11	XAF/XAFC36D	1.05	1.03	1.01
TM9Y060B12MP11	XAH/XAHC36D	1.03	1.01	1.01
TM9Y060B12MP11	XAH/XAHC48F	1.04	1.05	0.99
TM9Y080B12MP11	XAF/XAF/XAUB36D	1.04	1.03	1.01
TM9Y080B12MP11	XAF/XAF/XAUC48F	1.03	1.02	1.01
TM9Y080B12MP11	XAF/XAFC36D	1.04	1.03	1.01
TM9Y080B12MP11	XAH/XAHB36D	1.03	1.03	1.00
TM9Y080B12MP11	XAH/XAHC36D	1.02	1.01	1.01
TM9Y080B12MP11	XAH/XAHC48F	1.03	1.05	0.98
TM9Y080C16MP11	XAF/XAF/XAUC48F	1.02	1.03	0.99
TM9Y080C16MP11	XAF/XAFD48F	1.03	1.05	0.97
TM9Y080C16MP11	XAH/XAHC36D	1.01	1.04	0.98
TM9Y080C16MP11	XAH/XAHC48F	1.02	1.02	0.99
TM9Y080C16MP11	XAH/XAHD48F	1.02	1.02	0.99
TM9Y100C16MP11	XAF/XAF/XAUC48F	1.02	1.03	0.99
TM9Y100C16MP11	XAF/XAFC36D	1.03	1.03	0.99
TM9Y100C16MP11	XAF/XAFD48F	1.02	1.03	0.99
TM9Y100C16MP11	XAH/XAHC48F	1.02	1.02	0.99
TM9Y100C16MP11	XAH/XAHD48F	1.02	1.02	0.99
TM9Y120D20MP11	XAF/XAFD48F	1.01	1.06	0.96
TM9Y120D20MP11	XAH/XAHD48F	1.01	1.04	0.97
TMLE040A12MP11	XAF/XAF/XAUB36D	1.04	1.06	0.98
TMLE040A12MP11	XAFA30D	1.05	1.06	0.99
TMLE060A12MP11	XAFA30D	1.05	1.05	1.00
TMLE060A12MP11	XAH/XAHB36D	1.02	1.02	0.99
TMLE080B12MP11	XAF/XAF/XAUB36D	1.03	1.03	1.01
TMLE080B12MP11	XAF/XAF/XAUC48F	1.03	1.02	1.01
TMLE080B12MP11	XAF/XAFC36D	1.03	1.03	1.01
TMLE080B12MP11	XAH/XAHB36D	1.02	1.02	0.99
TMLE080B12MP11	XAH/XAHC48F	1.03	1.04	0.99
TMLE080C16MP11	XAF/XAF/XAUC48F	1.03	1.07	0.96
TMLE080C16MP11	XAF/XAFC36D	1.03	1.07	0.96
TMLE080C16MP11	XAF/XAFD48F	1.03	1.07	0.96
TMLE080C16MP11	XAH/XAHC36D	1.01	1.05	0.97
TMLE080C16MP11	XAH/XAHC48F	1.02	1.06	0.96
TMLE080C16MP11	XAH/XAHD48F	1.02	1.06	0.96
TMLE100B12MP11	XAF/XAF/XAUB36D	1.04	1.05	0.98
TMLE100B12MP11	XAF/XAF/XAUC48F	1.03	1.05	0.98

Table 46: Heat multiplier furnace - 3 ton

Furnace model	Indoor coil model	MBH	COP	kW
TMLE100B12MP11	XAF/XAFC36D	1.03	1.05	0.98
TMLE100B12MP11	XAH/XAHB36D	1.02	1.03	0.99
TMLE100B12MP11	XAH/XAHC36D	1.02	1.05	0.97
TMLE100B12MP11	XAH/XAHC48F	1.02	1.04	0.98
TMLE100C16MP11	XAF/XAF/XAUC48F	1.02	1.06	0.96
TMLE100C16MP11	XAF/XAFC36D	1.03	1.07	0.96
TMLE100C16MP11	XAF/XAFD48F	1.02	1.06	0.96
TMLE100C16MP11	XAH/XAHC36D	1.01	1.04	0.97
TMLE100C16MP11	XAH/XAHC48F	1.02	1.06	0.96
TMLE100C16MP11	XAH/XAHD48F	1.02	1.05	0.97
TMLE120C16MP11	XAF/XAF/XAUC48F	1.02	1.06	0.96
TMLE120C16MP11	XAF/XAFC36D	1.03	1.07	0.96
TMLE120C16MP11	XAF/XAFD48F	1.02	1.06	0.96
TMLE120C16MP11	XAH/XAHC36D	1.01	1.04	0.97
TMLE120C16MP11	XAH/XAHC48F	1.02	1.06	0.96
TMLE120C16MP11	XAH/XAHD48F	1.02	1.06	0.96
TMLV060A12MP12C	XAF/XAF/XAUB36D	1.03	1.02	1.01
TMLV060A12MP12C	XAFA30D	1.04	1.03	1.02
TMLV060A12MP12C	XAH/XAHB36D	1.02	1.01	1.01
TMLV100C16MP12C	XAF/XAF/XAUC48F	1.01	1.02	0.98
TMLV100C16MP12C	XAF/XAFC36D	1.01	1.02	0.99
TMLV100C16MP12C	XAF/XAFD48F	1.01	1.02	0.99
TMLV100C16MP12C	XAH/XAHC36D	1.00	1.03	0.97
TMLV100C16MP12C	XAH/XAHC48F	1.02	1.05	0.97
TMLV100C16MP12C	XAH/XAHD48F	1.02	1.04	0.97
TMLV120C20MP12C	XAH/XAHC48F	1.00	1.03	0.97
TP9C060B12MP13C	XAF/XAF/XAUB36D	1.04	1.03	1.01
TP9C060B12MP13C	XAF/XAF/XAUC48F	1.03	1.03	1.00
TP9C060B12MP13C	XAF/XAFC36D	1.04	1.04	1.00
TP9C060B12MP13C	XAH/XAHB36D	1.03	1.02	1.01
TP9C060B12MP13C	XAH/XAHC36D	1.02	1.01	1.01
TP9C060B12MP13C	XAH/XAHC48F	1.04	1.05	0.99
TP9C080B12MP13C	XAF/XAF/XAUB36D	1.03	1.03	1.01
TP9C080B12MP13C	XAF/XAF/XAUC48F	1.03	1.03	0.99
TP9C080B12MP13C	XAF/XAFC36D	1.03	1.03	1.00
TP9C080B12MP13C	XAH/XAHB36D	1.02	1.01	1.01
TP9C080B12MP13C	XAH/XAHC36D	1.02	1.01	1.01
TP9C080B12MP13C	XAH/XAHC48F	1.03	1.05	0.98
TP9C080C16MP13C	XAF/XAF/XAUC48F	1.01	1.01	1.00

Table 46: Heat multiplier furnace - 3 ton

Furnace model	Indoor coil model	MBH	COP	kW
TP9C080C16MP13C	XAF/XAFD48F	1.01	1.01	1.00
TP9C080C16MP13C	XAH/XAHC36D	1.01	0.99	1.02
TP9C080C16MP13C	XAH/XAHC48F	1.02	1.03	0.98
TP9C080C16MP13C	XAH/XAHD48F	1.02	1.03	0.98
TP9C100C16MP13C	XAF/XAF/XAUC48F	1.01	1.05	0.96
TP9C100C16MP13C	XAF/XAFC36D	1.01	1.04	0.97
TP9C100C16MP13C	XAF/XAFD48F	1.01	1.05	0.96
TP9C100C16MP13C	XAH/XAHC36D	1.01	1.04	0.97
TP9C100C16MP13C	XAH/XAHC48F	1.01	1.04	0.96
TP9C100C16MP13C	XAH/XAHD48F	1.01	1.04	0.96
TP9C100C20MP13C	XAF/XAF/XAUC48F	1.01	1.03	0.98
TP9C100C20MP13C	XAF/XAFC36D	1.01	1.02	0.98
TP9C100C20MP13C	XAF/XAFD48F	1.01	1.04	0.97
TP9C100C20MP13C	XAH/XAHC48F	1.00	1.02	0.98
TP9C100C20MP13C	XAH/XAHD48F	1.00	1.02	0.98
TP9C120D20MP13C	XAF/XAFD48F	1.00	1.04	0.96
TP9C120D20MP13C	XAH/XAHD48F	1.01	1.05	0.96
TPLC060A12MP13C	XAF/XAF/XAUB36D	1.03	1.02	1.01
TPLC060A12MP13C	XAFA30D	1.04	1.03	1.02
TPLC060A12MP13C	XAH/XAHB36D	1.02	1.01	1.01
TPLC080B12MP13C	XAF/XAF/XAUB36D	1.05	1.05	1.00
TPLC080B12MP13C	XAF/XAF/XAUC48F	1.04	1.03	1.01
TPLC080B12MP13C	XAF/XAFC36D	1.05	1.03	1.01
TPLC080B12MP13C	XAH/XAHB36D	1.03	1.02	1.01
TPLC080B12MP13C	XAH/XAHC36D	1.03	1.03	1.00
TPLC080B12MP13C	XAH/XAHC48F	1.04	1.05	1.00
TPLC080C16MP13C	XAF/XAF/XAUC48F	1.01	1.02	0.98
TPLC080C16MP13C	XAF/XAFC36D	1.01	1.02	0.99
TPLC080C16MP13C	XAF/XAFD48F	1.01	1.02	0.99
TPLC080C16MP13C	XAH/XAHC36D	1.00	1.03	0.97
TPLC080C16MP13C	XAH/XAHC48F	1.02	1.05	0.97
TPLC080C16MP13C	XAH/XAHD48F	1.02	1.04	0.97
TPLC100C16MP13C	XAF/XAF/XAUC48F	1.01	1.02	0.98
TPLC100C16MP13C	XAF/XAFD48F	1.01	1.02	0.99
TPLC100C16MP13C	XAH/XAHC36D	1.00	1.03	0.97
TPLC100C16MP13C	XAH/XAHC48F	1.02	1.05	0.97
TPLC100C16MP13C	XAH/XAHD48F	1.02	1.04	0.97
TPLC100C20MP13C	XAH/XAHC48F	1.00	1.03	0.97
TPLC120C20MP13C	XAH/XAHC48F	1.00	1.03	0.97

Table 46: Heat multiplier furnace - 3 ton

Furnace model	Indoor coil model	MBH	COP	kW
YP9C060B12MP13C	XAF/XAF/XAUB36D	1.04	1.03	1.01
YP9C060B12MP13C	XAF/XAF/XAUC48F	1.03	1.03	1.00
YP9C060B12MP13C	XAF/XAFC36D	1.04	1.04	1.00
YP9C060B12MP13C	XAH/XAHB36D	1.03	1.02	1.01
YP9C060B12MP13C	XAH/XAHC36D	1.02	1.01	1.01
YP9C060B12MP13C	XAH/XAHC48F	1.04	1.05	0.99
YP9C080B12MP13C	XAF/XAF/XAUB36D	1.03	1.03	1.01
YP9C080B12MP13C	XAF/XAF/XAUC48F	1.03	1.03	0.99
YP9C080B12MP13C	XAF/XAFC36D	1.03	1.03	1.00
YP9C080B12MP13C	XAH/XAHB36D	1.02	1.01	1.01
YP9C080B12MP13C	XAH/XAHC36D	1.02	1.01	1.01
YP9C080B12MP13C	XAH/XAHC48F	1.03	1.05	0.98
YP9C080C16MP13C	XAF/XAF/XAUC48F	1.01	1.01	1.00
YP9C080C16MP13C	XAF/XAFD48F	1.01	1.01	1.00
YP9C080C16MP13C	XAH/XAHC36D	1.01	0.99	1.02
YP9C080C16MP13C	XAH/XAHC48F	1.02	1.03	0.98
YP9C080C16MP13C	XAH/XAHD48F	1.02	1.03	0.98
YP9C100C16MP13C	XAF/XAF/XAUC48F	1.01	1.05	0.96
YP9C100C16MP13C	XAF/XAFC36D	1.01	1.04	0.97
YP9C100C16MP13C	XAF/XAFD48F	1.01	1.05	0.96
YP9C100C16MP13C	XAH/XAHC36D	1.01	1.04	0.97
YP9C100C16MP13C	XAH/XAHC48F	1.01	1.04	0.96
YP9C100C16MP13C	XAH/XAHD48F	1.01	1.04	0.96
YP9C100C20MP13C	XAF/XAF/XAUC48F	1.01	1.03	0.98
YP9C100C20MP13C	XAF/XAFC36D	1.01	1.02	0.98
YP9C100C20MP13C	XAF/XAFD48F	1.01	1.04	0.97
YP9C100C20MP13C	XAH/XAHC48F	1.00	1.02	0.98
YP9C100C20MP13C	XAH/XAHD48F	1.00	1.02	0.98
YP9C120D20MP13C	XAF/XAFD48F	1.00	1.04	0.96
YP9C120D20MP13C	XAH/XAHD48F	1.01	1.05	0.96
YPLC060A12MP13C	XAF/XAF/XAUB36D	1.03	1.02	1.01
YPLC060A12MP13C	XAFA30D	1.04	1.03	1.02
YPLC060A12MP13C	XAH/XAHB36D	1.02	1.01	1.01
YPLC080B12MP13C	XAF/XAF/XAUB36D	1.05	1.05	1.00
YPLC080B12MP13C	XAF/XAF/XAUC48F	1.04	1.03	1.01
YPLC080B12MP13C	XAF/XAFC36D	1.05	1.03	1.01
YPLC080B12MP13C	XAH/XAHB36D	1.03	1.02	1.01
YPLC080B12MP13C	XAH/XAHC36D	1.03	1.03	1.00
YPLC080B12MP13C	XAH/XAHC48F	1.04	1.05	1.00

Table 46: Heat multiplier furnace - 3 ton

Furnace model	Indoor coil model	MBH	COP	kW
YPLC080C16MP13C	XAF/XAF/XAUC48F	1.01	1.02	0.98
YPLC080C16MP13C	XAF/XAFD48F	1.01	1.02	0.99
YPLC080C16MP13C	XAH/XAHC36D	1.00	1.03	0.97
YPLC080C16MP13C	XAH/XAHC48F	1.02	1.05	0.97
YPLC080C16MP13C	XAH/XAHD48F	1.02	1.04	0.97
YPLC100C16MP13C	XAF/XAF/XAUC48F	1.01	1.02	0.98
YPLC100C16MP13C	XAF/XAFD48F	1.01	1.02	0.99
YPLC100C16MP13C	XAH/XAHC48F	1.02	1.05	0.97
YPLC100C16MP13C	XAH/XAHD48F	1.02	1.04	0.97
YPLC100C20MP13C	XAH/XAHC48F	1.00	1.03	0.97
YPLC120C20MP13C	XAH/XAHC48F	1.00	1.03	0.97

Performance data 3.5 ton

Condenser only performance data - 3.5 ton

Table 47: Condenser only performance data - 3.5 ton

Saturated suction at compressor		Outdoor temperature															
Temperature	Pressure	55°F		65°F		75°F		85°F		95°F		105°F		115°F		125°F	
(°F)	(psig)	MBH	kW	MBH	kW	MBH	kW	MBH	kW	MBH	kW	MBH	kW	MBH	kW	MBH	kW
35	107	42.1	1.99	39.7	2.19	37.4	2.42	35.0	2.69	32.4	3.01	29.8	3.37	26.8	3.79	23.7	4.26
40	118	46.2	2.01	43.7	2.21	41.1	2.45	38.5	2.72	35.8	3.04	33.0	3.40	29.9	3.81	27.6	4.28
45	130	50.5	2.04	47.8	2.24	45.1	2.48	42.3	2.75	39.4	3.07	36.3	3.43	33.1	3.84	29.5	4.31
50	143	55.2	2.07	52.3	2.27	49.3	2.51	46.3	2.78	43.2	3.10	39.9	3.47	36.4	3.88	32.7	4.34
55	156	60.1	2.10	57.0	2.30	53.8	2.53	50.6	2.81	47.2	3.13	43.7	3.50	40.0	3.91	36.0	4.37
60	170	65.6	2.10	61.9	2.32	58.7	2.53	55.0	2.84	51.5	3.16	47.7	3.53	43.7	3.95	39.5	4.40

Condenser only data table notes

**Note:**

1. For Outdoor Unit (Condenser) performance only. Data does not include the effects of air handler power or heat.
2. Performance based on 15°F subcooling and 15°F superheat at the Outdoor Unit base valves.
 - a. Increase capacity by 1% for each 2°F increase in subcooling.
 - b. Decrease capacity by 1% for each 2°F decrease in subcooling.
3. Maximum recommended condensing temperature is 140°F.

Cooling performance data - 3.5 ton

Table 48: Cooling performance data - 3.5 ton

Air temperature entering outdoor unit (°F)	Indoor CFM	1050						1400						1750					
		80		75		80		80		75		80		80		75		80	
		ID DB (°F)	ID WB (°F)	62	67	62	67	57	62	62	67	62	67	57	62	62	67	62	67
55	TC	38.5	42.0	42.5	45.9	49.5	41.0	43.7	44.1	47.5	50.8	44.5	45.5	45.7	49.1	52.1			
	SC	38.3	34.1	29.7	29.0	24.3	41.0	38.4	32.3	31.5	25.4	44.2	42.7	34.9	34.0	26.5			
	kW	2.27	2.29	2.30	2.31	2.33	2.43	2.43	2.43	2.45	2.47	2.55	2.56	2.57	2.59	2.61			
65	TC	37.8	40.8	41.3	44.7	48.4	40.1	42.4	42.8	46.2	49.7	43.6	44.0	44.3	47.7	51.0			
	SC	37.6	34.0	29.4	28.8	23.9	40.1	37.8	32.2	31.5	25.2	43.3	41.7	34.9	34.1	26.5			
	kW	2.47	2.49	2.49	2.50	2.53	2.62	2.62	2.63	2.64	2.67	2.75	2.76	2.76	2.78	2.81			
75	TC	36.9	39.4	39.9	43.3	47.0	39.1	41.0	41.2	44.7	48.3	42.5	42.5	42.6	46.0	49.6			
	SC	36.7	33.6	29.0	28.5	23.3	39.1	37.1	31.8	31.2	24.8	42.1	40.6	34.7	34.0	26.3			
	kW	2.71	2.73	2.74	2.75	2.78	2.87	2.87	2.87	2.89	2.92	3.00	3.00	3.01	3.03	3.05			
85	TC	35.8	37.9	38.2	41.7	45.4	37.8	39.3	39.5	42.9	46.6	41.1	40.8	40.8	44.2	47.8			
	SC	35.6	33.0	28.4	27.9	22.6	37.8	36.2	31.3	30.8	24.3	40.6	39.4	34.2	33.6	25.9			
	kW	3.01	3.03	3.03	3.05	3.08	3.16	3.16	3.17	3.19	3.21	3.29	3.30	3.30	3.32	3.35			
95	TC	34.5	36.1	36.4	39.8	43.5	36.4	37.6	37.6	40.9	44.6	39.5	39.0	38.7	42.1	45.7			
	SC	34.2	32.2	27.5	27.1	21.8	36.4	35.1	30.5	30.0	23.5	38.9	38.0	33.5	33.0	25.3			
	kW	3.36	3.37	3.38	3.40	3.42	3.51	3.51	3.52	3.53	3.56	3.64	3.65	3.65	3.67	3.70			
105	TC	32.9	34.2	34.4	37.6	41.3	34.8	35.6	35.5	38.7	42.3	37.6	37.0	36.5	39.8	43.3			
	SC	32.7	31.1	26.5	26.1	20.8	34.8	33.8	29.5	29.1	22.6	37.0	36.4	32.5	32.1	24.4			
	kW	3.76	3.77	3.78	3.80	3.82	3.91	3.91	3.91	3.93	3.96	4.04	4.05	4.05	4.07	4.09			
115	TC	31.1	32.1	32.2	35.2	38.9	33.1	33.5	33.1	36.2	39.7	35.4	35.0	34.0	37.2	40.5			
	SC	30.9	29.9	25.3	24.8	19.7	33.1	32.3	28.2	27.8	21.5	34.8	34.7	31.1	30.8	23.3			
	kW	4.22	4.22	4.23	4.26	4.27	4.36	4.36	4.36	4.39	4.40	4.49	4.50	4.50	4.52	4.54			
125	TC	29.2	29.8	29.9	32.5	36.2	31.1	31.3	30.6	33.5	36.8	33.0	32.8	31.4	34.4	37.4			
	SC	28.9	28.3	23.9	23.3	18.4	31.1	30.6	26.7	26.3	20.2	32.4	32.8	29.5	29.3	22.0			
	kW	4.73	4.73	4.73	4.77	4.76	4.86	4.86	4.86	4.89	4.90	4.99	5.00	5.00	5.01	5.03			

Cooling multipliers for determining the performance with other indoor sections

For dry bulb temperatures different than those listed (between 73 °F - 87 °F), sensible capacity increases by 1060 Btuh per 1000 CFM per degree above the listed temperature and decreases by 1060 Btuh per 1000 CFM per degree below the listed temperature.

Cool multiplier airhandler - 3.5 ton

Table 49: Cool multiplier air handler - 3.5 ton

Air handler model	Indoor coil model	TC	SC	kW
JHETC42FBCS2N1	—	1.03	1.03	0.94
JHVTC42FBCC2N1	—	1.02	1.04	0.95
JHVTD42FBCC2N1	—	1.02	1.04	0.94
JMET12CS2N1A	XAF/XAF/XAUC48F	1.02	1.04	0.95
JMET12CS2N1A	XAH/XAHC48F	1.02	1.03	0.93
JMET12CS4N1A	XAF/XAF/XAUC48F	1.02	1.04	0.95
JMET12CS4N1A	XAH/XAHC48F	1.03	1.03	0.94
JMET16CS2N1A	XAF/XAF/XAUC48F	1.01	1.03	0.96
JMET16CS2N1A	XAH/XAHC48F	1.02	1.03	0.96
JMET16CS4N1A	XAF/XAF/XAUC48F	1.02	1.04	0.95
JMET16CS4N1A	XAH/XAHC48F	1.03	1.04	0.93
JMET18DS2N1A	XAF/XAFD48F	1.02	1.04	0.95

Table 49: Cool multiplier air handler - 3.5 ton

Air handler model	Indoor coil model	TC	SC	kW
JMET18DS2N1A	XAH/XAHD48F	1.03	1.03	0.94
JMET18DS4N1A	XAF/XAFD48F	1.03	1.05	0.96
JMET18DS4N1A	XAH/XAHD48F	1.03	1.03	0.94
JMVT16CC2N1A	XAF/XAF/XAUC48F	1.03	1.05	0.95
JMVT16CC2N1A	XAH/XAHC48F	1.03	1.03	0.93
JMVT17CC2N1A	XAF/XAF/XAUC48F	1.03	1.05	0.95
JMVT17CC2N1A	XAH/XAHC48F	1.03	1.03	0.93
JMVT20DC2N1A	XAF/XAFD48F	1.02	1.04	0.94
JMVT20DC2N1A	XAH/XAHD48F	1.02	1.03	0.92

Cool multiplier furnace - 3.5 ton

Table 50: Cool multiplier furnace - 3.5 ton

Furnace model	Indoor coil model	TC	SC	kW
TL8E080C16UH11	XAF/XAF/XAUC48F	1.01	1.03	0.97
TL8E080C16UH11	XAF/XAFD48F	1.01	1.03	0.97
TL8E080C16UH11	XAH/XAHC48F	1.02	1.03	0.95
TL8E080C16UH11	XAH/XAHD48F	1.01	1.02	0.96
TL8E100C20UH11	XAF/XAF/XAUC48F	1.02	1.04	0.98
TL8E100C20UH11	XAF/XAFD48F	1.02	1.04	0.98
TL8E100C20UH11	XAH/XAHC48F	1.02	1.03	0.96
TL8E100C20UH11	XAH/XAHD48F	1.02	1.03	0.96
TL9E060B12UH11	XAH/XAHC48F	1.01	1.01	0.98
TL9E080C16UH11	XAF/XAF/XAUC48F	1.01	1.03	0.98
TL9E080C16UH11	XAF/XAFD48F	1.01	1.03	0.98
TL9E080C16UH11	XAH/XAHC48F	1.01	1.01	0.97
TL9E080C16UH11	XAH/XAHD48F	1.01	1.01	0.97
TL9E100C20UH11	XAF/XAF/XAUC48F	1.01	1.03	0.99
TL9E100C20UH11	XAF/XAFD48F	1.01	1.02	0.98
TL9E100C20UH11	XAH/XAHC48F	1.01	1.01	0.97
TL9E100C20UH11	XAH/XAHD48F	1.02	1.03	0.97
TM8E080B12MP11	XAF/XAF/XAUC48F	1.02	1.04	1.01
TM8E080B12MP11	XAH/XAHC48F	1.01	1.01	0.96
TM8E080C16MP11	XAF/XAF/XAUC48F	1.01	1.03	1
TM8E080C16MP11	XAF/XAFD48F	1.01	1.02	0.99
TM8E080C16MP11	XAH/XAHC48F	1.01	1.01	0.98
TM8E080C16MP11	XAH/XAHD48F	1.01	1.01	0.98
TM8E080C20MP11	XAF/XAF/XAUC48F	1.01	1.03	0.97
TM8E080C20MP11	XAF/XAFD48F	1.01	1.03	0.97
TM8E080C20MP11	XAH/XAHC48F	1.01	1.02	0.95

Table 50: Cool multiplier furnace - 3.5 ton

Furnace model	Indoor coil model	TC	SC	kW
TM8E080C20MP11	XAH/XAHD48F	1.01	1.02	0.95
TM8E100B12MP11	XAH/XAHC48F	1.01	1.01	0.96
TM8E100C16MP11	XAF/XAF/XAUC48F	1.01	1.03	1
TM8E100C16MP11	XAF/XAFD48F	1.01	1.03	1
TM8E100C16MP11	XAH/XAHC48F	1.01	1.01	0.98
TM8E100C16MP11	XAH/XAHD48F	1.01	1.01	0.98
TM8E100C20MP11	XAF/XAF/XAUC48F	1.02	1.04	0.97
TM8E100C20MP11	XAF/XAFD48F	1.02	1.04	0.97
TM8E100C20MP11	XAH/XAHC48F	1.02	1.02	0.96
TM8E100C20MP11	XAH/XAHD48F	1.02	1.02	0.96
TM8E120C16MP11	XAF/XAF/XAUC48F	1.01	1.03	1
TM8E120C16MP11	XAF/XAFD48F	1.01	1.02	0.99
TM8E120C16MP11	XAH/XAHC48F	1.01	1.01	0.98
TM8E120C16MP11	XAH/XAHD48F	1.01	1.01	0.97
TM8E120C20MP11	XAF/XAF/XAUC48F	1.02	1.04	0.97
TM8E120C20MP11	XAF/XAFD48F	1.02	1.04	0.97
TM8E120C20MP11	XAH/XAHC48F	1.02	1.02	0.95
TM8E120C20MP11	XAH/XAHD48F	1.02	1.02	0.95
TM8E130D20MP11	XAF/XAFD48F	1.02	1.04	0.98
TM8E130D20MP11	XAH/XAHD48F	1.02	1.03	0.97
TM8V080B12MP12C	XAH/XAHC48F	1.01	1.02	1
TM8V080C16MP12C	XAF/XAF/XAUC48F	1.02	1.04	0.98
TM8V080C16MP12C	XAF/XAFD48F	1.01	1.03	0.99
TM8V080C16MP12C	XAH/XAHC48F	1.01	1.02	0.98
TM8V080C16MP12C	XAH/XAHD48F	1.02	1.02	0.98
TM8V100C16MP12C	XAF/XAF/XAUC48F	1.02	1.04	0.98
TM8V100C16MP12C	XAF/XAFD48F	1.01	1.03	0.99
TM8V100C16MP12C	XAH/XAHC48F	1.01	1.02	0.98
TM8V100C16MP12C	XAH/XAHD48F	1.01	1.02	0.97
TM8V100C20MP12C	XAH/XAHC48F	1.01	1.02	0.96
TM8V120C20MP12C	XAH/XAHC48F	1.01	1.02	0.96
TM8Y080B12MP11	XAH/XAHC48F	1.02	1.02	0.95
TM8Y080C16MP11	XAF/XAF/XAUC48F	1.02	1.04	0.97
TM8Y080C16MP11	XAF/XAFD48F	1.02	1.04	0.97
TM8Y080C16MP11	XAH/XAHC48F	1.01	1.02	0.97
TM8Y080C16MP11	XAH/XAHD48F	1.02	1.02	0.95
TM8Y100C16MP11	XAF/XAF/XAUC48F	1.02	1.04	0.97
TM8Y100C16MP11	XAF/XAFD48F	1.02	1.04	0.97
TM8Y100C16MP11	XAH/XAHC48F	1.01	1.02	0.97

Table 50: Cool multiplier furnace - 3.5 ton

Furnace model	Indoor coil model	TC	SC	kW
TM8Y100C16MP11	XAH/XAHD48F	1.02	1.02	0.95
TM8Y100C20MP11	XAF/XAF/XAUC48F	1.02	1.04	0.98
TM8Y100C20MP11	XAF/XAFD48F	1.01	1.03	0.97
TM8Y100C20MP11	XAH/XAHC48F	1.01	1.02	0.95
TM8Y100C20MP11	XAH/XAHD48F	1.01	1.02	0.95
TM8Y120C20MP11	XAF/XAF/XAUC48F	1.02	1.04	0.98
TM8Y120C20MP11	XAF/XAFD48F	1.01	1.03	0.97
TM8Y120C20MP11	XAH/XAHC48F	1.01	1.02	0.95
TM8Y120C20MP11	XAH/XAHD48F	1.01	1.02	0.95
TM9E060B12MP12	XAH/XAHC48F	1.01	1.01	0.98
TM9E080B12MP12	XAF/XAF/XAUC48F	1.02	1.04	1.01
TM9E080B12MP12	XAH/XAHC48F	1.01	1.01	0.97
TM9E080C16MP12	XAF/XAF/XAUC48F	1.01	1.03	0.99
TM9E080C16MP12	XAF/XAFD48F	1.01	1.03	1
TM9E080C16MP12	XAH/XAHC48F	1.01	1.02	0.98
TM9E080C16MP12	XAH/XAHD48F	1.01	1.02	0.98
TM9E080C20MP12	XAF/XAF/XAUC48F	1.02	1.04	0.98
TM9E080C20MP12	XAF/XAFD48F	1.02	1.04	0.97
TM9E080C20MP12	XAH/XAHC48F	1.02	1.03	0.96
TM9E080C20MP12	XAH/XAHD48F	1.02	1.03	0.96
TM9E100C16MP12	XAF/XAF/XAUC48F	1.01	1.02	1.02
TM9E100C16MP12	XAF/XAFD48F	1.01	1.02	1.01
TM9E100C16MP12	XAH/XAHC48F	1.01	1.01	1
TM9E100C16MP12	XAH/XAHD48F	1.01	1.01	1
TM9E100C20MP12	XAF/XAF/XAUC48F	1.02	1.04	0.98
TM9E100C20MP12	XAF/XAFD48F	1.02	1.04	0.97
TM9E100C20MP12	XAH/XAHC48F	1.02	1.03	0.96
TM9E100C20MP12	XAH/XAHD48F	1.02	1.03	0.96
TM9E120D20MP12	XAF/XAFD48F	1.02	1.04	0.97
TM9E120D20MP12	XAH/XAHD48F	1.01	1.01	0.97
TM9V060B12MP12C	XAH/XAHC48F	1.01	1.01	0.98
TM9V080B12MP12C	XAF/XAF/XAUC48F	1.01	1.02	1
TM9V080B12MP12C	XAH/XAHC48F	1.01	1	0.98
TM9V080C16MP12C	XAF/XAF/XAUC48F	1.02	1.04	0.99
TM9V080C16MP12C	XAF/XAFD48F	1.02	1.04	0.99
TM9V080C16MP12C	XAH/XAHC48F	1.02	1.02	0.97
TM9V080C16MP12C	XAH/XAHD48F	1.02	1.02	0.97
TM9V100C16MP12C	XAF/XAF/XAUC48F	1.01	1.03	0.97
TM9V100C16MP12C	XAF/XAFD48F	1.02	1.04	0.98

Table 50: Cool multiplier furnace - 3.5 ton

Furnace model	Indoor coil model	TC	SC	kW
TM9V100C16MP12C	XAH/XAHC48F	1.01	1.02	0.95
TM9V100C16MP12C	XAH/XAHD48F	1.02	1.03	0.97
TM9V100C20MP12C	XAF/XAF/XAUC48F	1.02	1.04	0.99
TM9V100C20MP12C	XAF/XAFD48F	1.02	1.04	0.99
TM9V100C20MP12C	XAH/XAHC48F	1.02	1.02	0.97
TM9V100C20MP12C	XAH/XAHD48F	1.02	1.02	0.97
TM9V120D20MP12C	XAF/XAFD48F	1.01	1.03	0.97
TM9V120D20MP12C	XAH/XAHD48F	1.01	1.02	0.95
TM9Y060B12MP11	XAH/XAHC48F	1.01	1.01	0.99
TM9Y080B12MP11	XAF/XAF/XAUC48F	1.01	1.02	1
TM9Y080B12MP11	XAH/XAHC48F	1.01	1	0.98
TM9Y080C16MP11	XAF/XAF/XAUC48F	1.01	1.03	1
TM9Y080C16MP11	XAF/XAFD48F	1.01	1.03	0.99
TM9Y080C16MP11	XAH/XAHC48F	1.01	1.01	0.95
TM9Y080C16MP11	XAH/XAHD48F	1.01	1.01	0.95
TM9Y100C16MP11	XAF/XAF/XAUC48F	1.01	1.03	1
TM9Y100C16MP11	XAF/XAFD48F	1.01	1.03	0.99
TM9Y100C16MP11	XAH/XAHC48F	1.02	1.03	0.96
TM9Y100C16MP11	XAH/XAHD48F	1.01	1.01	0.97
TM9Y100C20MP11	XAF/XAF/XAUC48F	1.02	1.04	1
TM9Y100C20MP11	XAF/XAFD48F	1.01	1.03	0.99
TM9Y100C20MP11	XAF/XAFD48F	1.01	1.03	0.99
TM9Y100C20MP11	XAH/XAHC48F	1.02	1.02	0.98
TM9Y100C20MP11	XAH/XAHD48F	1.02	1.02	0.98
TM9Y120D20MP11	XAF/XAFD48F	1.01	1.03	0.98
TM9Y120D20MP11	XAH/XAHD48F	1.01	1.01	0.96
TMLE080B12MP11	XAF/XAF/XAUC48F	1.02	1.04	1.01
TMLE080B12MP11	XAH/XAHC48F	1.01	1.01	0.96
TMLE080C16MP11	XAF/XAF/XAUC48F	1.01	1.03	1
TMLE080C16MP11	XAF/XAFD48F	1.01	1.02	0.99
TMLE080C16MP11	XAH/XAHC48F	1.01	1.01	0.98
TMLE080C16MP11	XAH/XAHD48F	1.01	1.01	0.98
TMLE080C20MP11	XAF/XAF/XAUC48F	1.01	1.03	0.97
TMLE080C20MP11	XAF/XAFD48F	1.01	1.03	0.97
TMLE080C20MP11	XAH/XAHC48F	1.01	1.02	0.95
TMLE080C20MP11	XAH/XAHD48F	1.01	1.02	0.95
TMLE100B12MP11	XAH/XAHC48F	1.01	1.01	0.96
TMLE100C16MP11	XAF/XAF/XAUC48F	1.01	1.03	1
TMLE100C16MP11	XAF/XAFD48F	1.01	1.03	1

Table 50: Cool multiplier furnace - 3.5 ton

Furnace model	Indoor coil model	TC	SC	kW
TMLE100C16MP11	XAH/XAHC48F	1.01	1.01	0.98
TMLE100C16MP11	XAH/XAHD48F	1.01	1.01	0.98
TMLE100C20MP11	XAF/XAF/XAUC48F	1.02	1.04	0.97
TMLE100C20MP11	XAF/XAFD48F	1.02	1.04	0.97
TMLE100C20MP11	XAH/XAHC48F	1.02	1.02	0.96
TMLE100C20MP11	XAH/XAHD48F	1.02	1.02	0.96
TMLE120C16MP11	XAF/XAF/XAUC48F	1.01	1.03	1
TMLE120C16MP11	XAF/XAFD48F	1.01	1.02	0.99
TMLE120C16MP11	XAH/XAHC48F	1.01	1.01	0.98
TMLE120C16MP11	XAH/XAHD48F	1.01	1.01	0.97
TMLE120C20MP11	XAF/XAF/XAUC48F	1.02	1.04	0.97
TMLE120C20MP11	XAF/XAFD48F	1.02	1.04	0.97
TMLE120C20MP11	XAH/XAHC48F	1.02	1.02	0.95
TMLE120C20MP11	XAH/XAHD48F	1.02	1.02	0.95
TMLE130D20MP11	XAF/XAFD48F	1.02	1.04	0.98
TMLE130D20MP11	XAH/XAHD48F	1.02	1.03	0.97
TMLV100C16MP12C	XAF/XAF/XAUC48F	1.02	1.04	0.98
TMLV100C16MP12C	XAF/XAFD48F	1.01	1.03	0.99
TMLV100C16MP12C	XAH/XAHC48F	1.01	1.02	0.98
TMLV100C16MP12C	XAH/XAHD48F	1.01	1.02	0.97
TMLV120C20MP12C	XAH/XAHC48F	1.01	1.02	0.96
TP9C060B12MP13C	XAH/XAHC48F	1.01	1.01	0.98
TP9C080B12MP13C	XAF/XAF/XAUC48F	1.01	1.02	1
TP9C080B12MP13C	XAH/XAHC48F	1.01	1	0.98
TP9C080C16MP13C	XAF/XAF/XAUC48F	1.02	1.04	0.99
TP9C080C16MP13C	XAF/XAFD48F	1.02	1.04	0.99
TP9C080C16MP13C	XAH/XAHC48F	1.02	1.02	0.97
TP9C080C16MP13C	XAH/XAHD48F	1.02	1.02	0.97
TP9C100C16MP13C	XAF/XAF/XAUC48F	1.01	1.03	0.97
TP9C100C16MP13C	XAF/XAFD48F	1.02	1.04	0.98
TP9C100C16MP13C	XAH/XAHC48F	1.01	1.02	0.95
TP9C100C16MP13C	XAH/XAHD48F	1.02	1.03	0.97
TP9C100C20MP13C	XAF/XAF/XAUC48F	1.02	1.04	0.99
TP9C100C20MP13C	XAF/XAFD48F	1.02	1.04	0.99
TP9C100C20MP13C	XAH/XAHC48F	1.02	1.02	0.97
TP9C100C20MP13C	XAH/XAHD48F	1.02	1.02	0.97
TP9C120D20MP13C	XAF/XAFD48F	1.01	1.03	0.97
TP9C120D20MP13C	XAH/XAHD48F	1.01	1.02	0.95
TPLC080B12MP13C	XAH/XAHC48F	1.01	1.02	1

Table 50: Cool multiplier furnace - 3.5 ton

Furnace model	Indoor coil model	TC	SC	kW
TPLC080C16MP13C	XAF/XAF/XAUC48F	1.02	1.04	0.98
TPLC080C16MP13C	XAF/XAFD48F	1.01	1.03	0.99
TPLC080C16MP13C	XAH/XAHC48F	1.01	1.02	0.98
TPLC080C16MP13C	XAH/XAHD48F	1.01	1.02	0.97
TPLC100C16MP13C	XAF/XAF/XAUC48F	1.02	1.04	0.98
TPLC100C16MP13C	XAF/XAFD48F	1.01	1.03	0.99
TPLC100C16MP13C	XAH/XAHC48F	1.01	1.02	0.98
TPLC100C16MP13C	XAH/XAHD48F	1.01	1.02	0.97
TPLC100C20MP13C	XAH/XAHC48F	1.01	1.02	0.96
TPLC120C20MP13C	XAH/XAHC48F	1.01	1.02	0.96
YP9C060B12MP13C	XAH/XAHC48F	1.01	1.01	0.98
YP9C080B12MP13C	XAF/XAF/XAUC48F	1.01	1.02	1
YP9C080B12MP13C	XAH/XAHC48F	1.01	1	0.98
YP9C080C16MP13C	XAF/XAF/XAUC48F	1.02	1.04	0.99
YP9C080C16MP13C	XAF/XAFD48F	1.02	1.04	0.99
YP9C080C16MP13C	XAH/XAHC48F	1.02	1.02	0.97
YP9C080C16MP13C	XAH/XAHD48F	1.02	1.02	0.97
YP9C100C16MP13C	XAF/XAF/XAUC48F	1.01	1.03	0.97
YP9C100C16MP13C	XAF/XAFD48F	1.02	1.04	0.98
YP9C100C16MP13C	XAH/XAHC48F	1.01	1.02	0.95
YP9C100C16MP13C	XAH/XAHD48F	1.02	1.03	0.97
YP9C100C20MP13C	XAF/XAF/XAUC48F	1.02	1.04	0.99
YP9C100C20MP13C	XAF/XAFD48F	1.02	1.04	0.99
YP9C100C20MP13C	XAH/XAHC48F	1.02	1.02	0.97
YP9C100C20MP13C	XAH/XAHD48F	1.02	1.02	0.97
YP9C120D20MP13C	XAF/XAFD48F	1.01	1.03	0.97
YP9C120D20MP13C	XAH/XAHD48F	1.01	1.02	0.95
YPLC080B12MP13C	XAH/XAHC48F	1.01	1.02	1
YPLC080C16MP13C	XAF/XAF/XAUC48F	1.02	1.04	0.98
YPLC080C16MP13C	XAF/XAFD48F	1.01	1.03	0.99
YPLC080C16MP13C	XAH/XAHC48F	1.01	1.02	0.98
YPLC080C16MP13C	XAH/XAHD48F	1.01	1.02	0.97
YPLC100C16MP13C	XAF/XAF/XAUC48F	1.02	1.04	0.98
YPLC100C16MP13C	XAF/XAFD48F	1.01	1.03	0.99
YPLC100C16MP13C	XAH/XAHC48F	1.01	1.02	0.98
YPLC100C16MP13C	XAH/XAHD48F	1.01	1.02	0.97
YPLC100C20MP13C	XAH/XAHC48F	1.01	1.02	0.96
YPLC120C20MP13C	XAH/XAHC48F	1.01	1.02	0.96

Heating performance data - 3.5 ton

Table 51: Heating performance data - 3.5 ton

Air temperature entering outdoor unit (°F)	Air temperature entering indoor unit (°F)	ID CFM								
		1500			1750			2000		
		MBH	COP	kW	MBH	COP	kW	MBH	COP	kW
60	60	45.50	4.11	3.24	47.00	4.36	3.16	48.50	4.61	3.08
	70	44.70	3.70	3.54	46.10	3.92	3.44	47.40	4.15	3.35
	80	43.40	3.27	3.88	44.50	3.46	3.77	45.60	3.65	3.66
47	60	39.50	3.74	3.10	40.80	3.93	3.05	42.10	4.12	3.00
	70	38.80	3.37	3.38	40.00	3.53	3.32	41.20	3.70	3.26
	80	37.70	2.98	3.71	38.60	3.12	3.63	39.50	3.26	3.55
40	60	36.30	3.52	3.02	37.50	3.68	2.99	38.70	3.84	2.96
	70	35.70	3.17	3.30	36.70	3.31	3.25	37.80	3.45	3.21
	80	34.70	2.82	3.61	35.40	2.93	3.55	36.20	3.04	3.49
30	60	31.70	3.19	2.91	32.80	3.31	2.91	33.90	3.42	2.90
	70	31.10	2.87	3.17	32.10	2.98	3.16	33.00	3.08	3.14
	80	30.40	2.56	3.48	30.90	2.63	3.44	31.50	2.71	3.41
17	60	25.80	2.73	2.77	26.70	2.79	2.80	27.60	2.86	2.82
	70	25.20	2.45	3.01	26.00	2.51	3.03	26.80	2.58	3.05
	80	24.70	2.20	3.30	25.10	2.23	3.30	25.40	2.26	3.31
10	60	22.60	2.45	2.70	23.40	2.50	2.74	24.20	2.55	2.78
	70	22.00	2.21	2.93	22.70	2.25	2.96	23.40	2.29	3.00
	80	21.70	1.98	3.21	21.90	1.99	3.23	22.20	2.00	3.25
0	60	18.00	2.04	2.59	18.60	2.06	2.65	19.30	2.08	2.72
	70	17.50	1.83	2.81	18.10	1.85	2.87	18.70	1.87	2.93
	80	17.40	1.66	3.07	17.40	1.64	3.12	17.50	1.62	3.17

Heating multipliers for determining the performance with other indoor sections

Heat multiplier air handler - 3.5 ton

Table 52: Heat multiplier air handler - 3.5 ton

Air handler model	Indoor coil model	MBH	COP	kW
JHETC42FBCS2N1	—	1.15	1.35	0.87
JHVTC42FBCC2N1	—	1.01	1.08	0.93
JHVTD42FBCC2N1	—	1.01	1.09	0.92
JMET12CS2N1A	XAF/XAF/XAUC48F	1.01	1.09	0.93
JMET12CS2N1A	XAH/XAHC48F	1.02	1.10	0.93
JMET12CS4N1A	XAF/XAF/XAUC48F	1.01	1.08	0.94
JMET12CS4N1A	XAH/XAHC48F	1.03	1.10	0.93
JMET16CS2N1A	XAF/XAF/XAUC48F	1.01	1.06	0.95
JMET16CS2N1A	XAH/XAHC48F	1.02	1.08	0.94
JMET16CS4N1A	XAF/XAF/XAUC48F	1.00	1.07	0.94
JMET16CS4N1A	XAH/XAHC48F	1.03	1.11	0.92
JMET18DS2N1A	XAF/XAFD48F	1.00	1.08	0.93
JMET18DS2N1A	XAH/XAHD48F	1.01	1.10	0.92
JMET18DS4N1A	XAF/XAFD48F	1.00	1.08	0.93
JMET18DS4N1A	XAH/XAHD48F	1.01	1.10	0.92
JMVT16CC2N1A	XAF/XAF/XAUC48F	1.01	1.09	0.93

Table 52: Heat multiplier air handler - 3.5 ton

Air handler model	Indoor coil model	MBH	COP	kW
JMVT16CC2N1A	XAH/XAHC48F	1.01	1.11	0.91
JMVT17CC2N1A	XAF/XAF/XAUC48F	1.01	1.09	0.93
JMVT17CC2N1A	XAH/XAHC48F	1.01	1.11	0.91
JMVT20DC2N1A	XAF/XAFD48F	1.00	1.10	0.91
JMVT20DC2N1A	XAH/XAHD48F	1.01	1.12	0.90

Heat multiplier furnace - 3.5 ton

Table 53: Heat multiplier furnace - 3.5 ton

Furnace model	Indoor coil model	MBH	COP	kW
TL8E080C16UH11	XAF/XAF/XAUC48F	1.03	1.06	0.96
TL8E080C16UH11	XAF/XAFD48F	1.03	1.06	0.96
TL8E080C16UH11	XAH/XAHC48F	1.02	1.09	0.94
TL8E080C16UH11	XAH/XAHD48F	1.03	1.08	0.95
TL8E100C20UH11	XAF/XAFD48F	1.02	1.06	0.96
TL8E100C20UH11	XAH/XAHD48F	1.03	1.08	0.96
TL9E080C16UH11	XAF/XAF/XAUC48F	1.02	1.06	0.97
TL9E080C16UH11	XAF/XAFD48F	1.02	1.06	0.97
TL9E080C16UH11	XAH/XAHC48F	1.03	1.07	0.97
TL9E080C16UH11	XAH/XAHD48F	1.03	1.07	0.97
TL9E100C20UH11	XAF/XAF/XAUC48F	1.02	1.05	0.98
TL9E100C20UH11	XAF/XAFD48F	1.02	1.05	0.97
TL9E100C20UH11	XAH/XAHC48F	1.03	1.07	0.97
TL9E100C20UH11	XAH/XAHD48F	1.03	1.07	0.96
TM8E080B12MP11	XAF/XAF/XAUC48F	1.03	1.05	0.98
TM8E080C16MP11	XAF/XAF/XAUC48F	1.02	1.04	0.98
TM8E080C16MP11	XAH/XAHC48F	1.03	1.06	0.98
TM8E080C16MP11	XAH/XAHD48F	1.03	1.06	0.98
TM8E080C20MP11	XAF/XAF/XAUC48F	1.01	1.06	0.96
TM8E080C20MP11	XAH/XAHC48F	1.03	1.08	0.95
TM8E080C20MP11	XAH/XAHD48F	1.03	1.08	0.95
TM8E100B12MP11	XAH/XAHC48F	1.04	1.08	0.96
TM8E100C16MP11	XAF/XAF/XAUC48F	1.02	1.04	0.98
TM8E100C16MP11	XAF/XAFD48F	1.02	1.04	0.98
TM8E100C16MP11	XAH/XAHC48F	1.03	1.06	0.98
TM8E100C16MP11	XAH/XAHD48F	1.03	1.06	0.98
TM8E100C20MP11	XAF/XAF/XAUC48F	1.01	1.06	0.95
TM8E100C20MP11	XAF/XAFD48F	1.01	1.06	0.95
TM8E100C20MP11	XAH/XAHC48F	1.03	1.08	0.95
TM8E100C20MP11	XAH/XAHD48F	1.03	1.08	0.95

Table 53: Heat multiplier furnace - 3.5 ton

Furnace model	Indoor coil model	MBH	COP	kW
TM8E120C16MP11	XAF/XAFD48F	1.02	1.04	0.98
TM8E120C16MP11	XAH/XAHC48F	1.03	1.06	0.98
TM8E120C16MP11	XAH/XAHD48F	1.03	1.06	0.97
TM8E120C20MP11	XAF/XAF/XAUC48F	1.02	1.07	0.95
TM8E120C20MP11	XAF/XAFD48F	1.01	1.07	0.95
TM8E120C20MP11	XAH/XAHD48F	1.03	1.08	0.95
TM8E130D20MP11	XAF/XAFD48F	1.02	1.05	0.96
TM8V080B12MP12C	XAH/XAHC48F	1.04	1.06	0.98
TM8V080C16MP12C	XAF/XAF/XAUC48F	1.02	1.07	0.95
TM8V080C16MP12C	XAH/XAHC48F	1.03	1.07	0.96
TM8V080C16MP12C	XAH/XAHD48F	1.03	1.07	0.96
TM8V100C16MP12C	XAF/XAF/XAUC48F	1.02	1.07	0.95
TM8V100C16MP12C	XAH/XAHC48F	1.03	1.07	0.96
TM8V100C16MP12C	XAH/XAHD48F	1.03	1.07	0.96
TM8V100C20MP12C	XAH/XAHC48F	1.02	1.08	0.95
TM8V120C20MP12C	XAH/XAHC48F	1.02	1.08	0.95
TM8Y080B12MP11	XAH/XAHC48F	1.03	1.08	0.95
TM8Y080C16MP11	XAF/XAF/XAUC48F	1.02	1.07	0.95
TM8Y080C16MP11	XAF/XAFD48F	1.02	1.07	0.95
TM8Y080C16MP11	XAH/XAHC48F	1.04	1.06	0.97
TM8Y080C16MP11	XAH/XAHD48F	1.03	1.08	0.95
TM8Y100C16MP11	XAF/XAF/XAUC48F	1.02	1.07	0.95
TM8Y100C16MP11	XAF/XAFD48F	1.02	1.07	0.95
TM8Y100C16MP11	XAH/XAHC48F	1.04	1.06	0.97
TM8Y100C16MP11	XAH/XAHD48F	1.03	1.08	0.95
TM8Y100C20MP11	XAF/XAF/XAUC48F	1.01	1.06	0.95
TM8Y100C20MP11	XAF/XAFD48F	1.01	1.06	0.95
TM8Y100C20MP11	XAH/XAHC48F	1.03	1.08	0.95
TM8Y100C20MP11	XAH/XAHD48F	1.03	1.08	0.95
TM8Y120C20MP11	XAF/XAF/XAUC48F	1.01	1.06	0.95
TM8Y120C20MP11	XAF/XAFD48F	1.01	1.06	0.95
TM8Y120C20MP11	XAH/XAHC48F	1.03	1.08	0.95
TM9E060B12MP12	XAH/XAHC48F	1.04	1.06	0.97
TM9E080B12MP12	XAF/XAF/XAUC48F	1.03	1.05	0.98
TM9E080C16MP12	XAF/XAF/XAUC48F	1.02	1.03	0.99
TM9E080C16MP12	XAF/XAFD48F	1.02	1.03	0.99
TM9E080C16MP12	XAH/XAHC48F	1.04	1.05	0.99
TM9E080C16MP12	XAH/XAHD48F	1.04	1.05	0.99
TM9E080C20MP12	XAF/XAF/XAUC48F	1.02	1.07	0.95

Table 53: Heat multiplier furnace - 3.5 ton

Furnace model	Indoor coil model	MBH	COP	kW
TM9E080C20MP12	XAF/XAFD48F	1.01	1.07	0.95
TM9E080C20MP12	XAH/XAHC48F	1.03	1.08	0.96
TM9E080C20MP12	XAH/XAHD48F	1.03	1.08	0.96
TM9E100C16MP12	XAF/XAF/XAUC48F	1.03	1.02	1.00
TM9E100C16MP12	XAH/XAHC48F	1.03	1.04	0.99
TM9E100C16MP12	XAH/XAHD48F	1.03	1.04	0.99
TM9E100C20MP12	XAF/XAF/XAUC48F	1.02	1.07	0.95
TM9E100C20MP12	XAF/XAFD48F	1.01	1.07	0.95
TM9E100C20MP12	XAH/XAHC48F	1.03	1.08	0.95
TM9E100C20MP12	XAH/XAHD48F	1.03	1.08	0.95
TM9E120D20MP12	XAF/XAFD48F	1.02	1.07	0.95
TM9V060B12MP12C	XAH/XAHC48F	1.04	1.06	0.97
TM9V080B12MP12C	XAH/XAHC48F	1.03	1.07	0.96
TM9V080C16MP12C	XAF/XAF/XAUC48F	1.03	1.06	0.97
TM9V080C16MP12C	XAF/XAFD48F	1.03	1.06	0.97
TM9V080C16MP12C	XAH/XAHC48F	1.03	1.07	0.96
TM9V080C16MP12C	XAH/XAHD48F	1.03	1.07	0.96
TM9V100C16MP12C	XAF/XAF/XAUC48F	1.01	1.07	0.95
TM9V100C16MP12C	XAF/XAFD48F	1.02	1.07	0.95
TM9V100C16MP12C	XAH/XAHC48F	1.03	1.09	0.94
TM9V100C20MP12C	XAF/XAF/XAUC48F	1.01	1.06	0.96
TM9V100C20MP12C	XAF/XAFD48F	1.01	1.06	0.96
TM9V100C20MP12C	XAH/XAHD48F	1.03	1.07	0.96
TM9V120D20MP12C	XAF/XAFD48F	1.01	1.07	0.95
TM9V120D20MP12C	XAH/XAHD48F	1.03	1.08	0.95
TM9Y060B12MP11	XAH/XAHC48F	1.04	1.05	0.98
TM9Y080B12MP11	XAF/XAF/XAUC48F	1.03	1.04	0.99
TM9Y080B12MP11	XAH/XAHC48F	1.04	1.05	0.99
TM9Y080C16MP11	XAF/XAF/XAUC48F	1.03	1.05	0.97
TM9Y080C16MP11	XAF/XAFD48F	1.02	1.05	0.97
TM9Y080C16MP11	XAH/XAHC48F	1.04	1.08	0.96
TM9Y080C16MP11	XAH/XAHD48F	1.04	1.08	0.96
TM9Y100C16MP11	XAF/XAF/XAUC48F	1.03	1.05	0.97
TM9Y100C16MP11	XAH/XAHC48F	1.04	1.09	0.95
TM9Y100C16MP11	XAH/XAHD48F	1.04	1.07	0.97
TM9Y100C20MP11	XAF/XAF/XAUC48F	1.03	1.04	0.98
TM9Y100C20MP11	XAF/XAFD48F	1.03	1.05	0.98
TM9Y100C20MP11	XAF/XAFD48F	1.03	1.05	0.98
TM9Y100C20MP11	XAH/XAHD48F	1.03	1.06	0.97

Table 53: Heat multiplier furnace - 3.5 ton

Furnace model	Indoor coil model	MBH	COP	kW
TM9Y120D20MP11	XAF/XAFD48F	1.02	1.05	0.97
TM9Y120D20MP11	XAH/XAHD48F	1.03	1.07	0.97
TMLE080B12MP11	XAF/XAF/XAUC48F	1.03	1.05	0.98
TMLE080C16MP11	XAF/XAF/XAUC48F	1.02	1.04	0.98
TMLE080C16MP11	XAF/XAFD48F	1.02	1.04	0.98
TMLE080C16MP11	XAH/XAHC48F	1.03	1.06	0.98
TMLE080C16MP11	XAH/XAHD48F	1.03	1.06	0.98
TMLE080C20MP11	XAF/XAF/XAUC48F	1.01	1.06	0.96
TMLE080C20MP11	XAH/XAHC48F	1.03	1.08	0.95
TMLE080C20MP11	XAH/XAHD48F	1.03	1.08	0.95
TMLE100B12MP11	XAH/XAHC48F	1.04	1.08	0.96
TMLE100C16MP11	XAF/XAFD48F	1.02	1.04	0.98
TMLE100C16MP11	XAH/XAHC48F	1.03	1.06	0.98
TMLE100C16MP11	XAH/XAHD48F	1.03	1.06	0.98
TMLE100C20MP11	XAF/XAF/XAUC48F	1.01	1.06	0.95
TMLE100C20MP11	XAF/XAFD48F	1.01	1.06	0.95
TMLE100C20MP11	XAH/XAHC48F	1.03	1.08	0.95
TMLE100C20MP11	XAH/XAHD48F	1.03	1.08	0.95
TMLE120C16MP11	XAF/XAF/XAUC48F	1.02	1.04	0.98
TMLE120C16MP11	XAF/XAFD48F	1.02	1.04	0.98
TMLE120C16MP11	XAH/XAHC48F	1.03	1.06	0.98
TMLE120C16MP11	XAH/XAHD48F	1.03	1.06	0.97
TMLE120C20MP11	XAF/XAF/XAUC48F	1.02	1.07	0.95
TMLE120C20MP11	XAF/XAFD48F	1.01	1.07	0.95
TMLE120C20MP11	XAH/XAHD48F	1.03	1.08	0.95
TMLE130D20MP11	XAF/XAFD48F	1.02	1.05	0.96
TMLE130D20MP11	XAH/XAHD48F	1.03	1.07	0.96
TMLV100C16MP12C	XAF/XAF/XAUC48F	1.02	1.07	0.95
TMLV100C16MP12C	XAF/XAFD48F	1.01	1.05	0.96
TMLV100C16MP12C	XAH/XAHC48F	1.03	1.07	0.96
TMLV100C16MP12C	XAH/XAHD48F	1.03	1.07	0.96
TMLV120C20MP12C	XAH/XAHC48F	1.02	1.08	0.95
TP9C060B12MP13C	XAH/XAHC48F	1.04	1.06	0.97
TP9C080B12MP13C	XAH/XAHC48F	1.03	1.07	0.96
TP9C080C16MP13C	XAF/XAF/XAUC48F	1.03	1.06	0.97
TP9C080C16MP13C	XAF/XAFD48F	1.03	1.06	0.97
TP9C080C16MP13C	XAH/XAHC48F	1.03	1.07	0.96
TP9C080C16MP13C	XAH/XAHD48F	1.03	1.07	0.96
TP9C100C16MP13C	XAF/XAF/XAUC48F	1.01	1.07	0.95

Table 53: Heat multiplier furnace - 3.5 ton

Furnace model	Indoor coil model	MBH	COP	kW
TP9C100C16MP13C	XAF/XAFD48F	1.02	1.07	0.95
TP9C100C16MP13C	XAH/XAHC48F	1.03	1.09	0.94
TP9C100C16MP13C	XAH/XAHD48F	1.03	1.08	0.95
TP9C100C20MP13C	XAF/XAF/XAUC48F	1.01	1.06	0.96
TP9C100C20MP13C	XAF/XAFD48F	1.01	1.06	0.96
TP9C100C20MP13C	XAH/XAHD48F	1.03	1.07	0.96
TP9C120D20MP13C	XAF/XAFD48F	1.01	1.07	0.95
TP9C120D20MP13C	XAH/XAHD48F	1.03	1.08	0.95
TPLC080B12MP13C	XAH/XAHC48F	1.04	1.06	0.98
TPLC080C16MP13C	XAF/XAF/XAUC48F	1.02	1.07	0.95
TPLC080C16MP13C	XAF/XAFD48F	1.01	1.05	0.96
TPLC080C16MP13C	XAH/XAHD48F	1.03	1.07	0.96
TPLC100C16MP13C	XAF/XAF/XAUC48F	1.02	1.07	0.95
TPLC100C16MP13C	XAF/XAFD48F	1.01	1.05	0.96
TPLC100C16MP13C	XAH/XAHD48F	1.03	1.07	0.96
TPLC100C20MP13C	XAH/XAHC48F	1.02	1.08	0.95
YP9C060B12MP13C	XAH/XAHC48F	1.04	1.06	0.97
YP9C080B12MP13C	XAH/XAHC48F	1.03	1.07	0.96
YP9C080C16MP13C	XAF/XAF/XAUC48F	1.03	1.06	0.97
YP9C080C16MP13C	XAF/XAFD48F	1.03	1.06	0.97
YP9C080C16MP13C	XAH/XAHC48F	1.03	1.07	0.96
YP9C100C16MP13C	XAF/XAF/XAUC48F	1.01	1.07	0.95
YP9C100C16MP13C	XAF/XAFD48F	1.02	1.07	0.95
YP9C100C16MP13C	XAH/XAHC48F	1.03	1.09	0.94
YP9C100C16MP13C	XAH/XAHD48F	1.03	1.08	0.95
YP9C100C20MP13C	XAF/XAF/XAUC48F	1.01	1.06	0.96
YP9C100C20MP13C	XAF/XAFD48F	1.01	1.06	0.96
YP9C100C20MP13C	XAH/XAHD48F	1.03	1.07	0.96
YP9C120D20MP13C	XAF/XAFD48F	1.01	1.07	0.95
YP9C120D20MP13C	XAH/XAHD48F	1.03	1.08	0.95
YPLC080B12MP13C	XAH/XAHC48F	1.04	1.06	0.98
YPLC080C16MP13C	XAF/XAF/XAUC48F	1.02	1.07	0.95
YPLC080C16MP13C	XAF/XAFD48F	1.01	1.05	0.96
YPLC080C16MP13C	XAH/XAHD48F	1.03	1.07	0.96
YPLC100C16MP13C	XAF/XAF/XAUC48F	1.02	1.07	0.95
YPLC100C16MP13C	XAF/XAFD48F	1.01	1.05	0.96
YPLC100C16MP13C	XAH/XAHD48F	1.03	1.07	0.96
YPLC100C20MP13C	XAH/XAHC48F	1.02	1.08	0.95
YPLC120C20MP13C	XAH/XAHC48F	1.02	1.08	0.95

Performance data 4 ton

Condenser only performance data - 4 ton

Table 54: Condenser only performance data - 4 ton

Saturated suction at compressor		Outdoor temperature															
Temperature	Pressure	55°F		65°F		75°F		85°F		95°F		105°F		115°F		125°F	
(°F)	(psig)	MBH	kW	MBH	kW	MBH	kW	MBH	kW	MBH	kW	MBH	kW	MBH	kW	MBH	kW
35	107	49.7	2.25	47.1	2.51	44.5	2.80	42.0	3.13	39.3	3.51	36.4	3.93	33.3	4.42	30.0	4.97
40	118	54.4	2.30	51.6	2.56	48.8	2.85	46.0	3.17	43.1	3.55	40.0	3.98	36.7	4.47	33.1	5.03
45	130	59.4	2.35	56.3	2.61	53.3	2.90	50.2	3.22	47.2	3.60	43.8	4.04	40.3	4.53	36.5	5.09
50	143	64.7	2.41	61.4	2.66	58.1	2.95	54.8	3.28	51.5	3.66	47.8	4.09	44.0	4.59	40.0	5.15
55	156	70.2	2.47	66.7	2.72	63.1	3.01	59.5	3.34	55.8	3.71	52.1	4.15	48.0	4.65	43.6	5.21
60	170	76.1	2.53	72.2	2.78	68.4	3.07	64.5	3.40	60.8	3.78	56.8	4.20	52.1	4.72	47.5	5.28

Condenser only data table notes



Note:

1. For Outdoor Unit (Condenser) performance only. Data does not include the effects of air handler power or heat.
2. Performance based on 15°F subcooling and 15°F superheat at the Outdoor Unit base valves.
 - a. Increase capacity by 1% for each 2°F increase in subcooling.
 - b. Decrease capacity by 1% for each 2°F decrease in subcooling.
3. Maximum recommended condensing temperature is 140°F.

Cooling performance data - 4 ton

Table 55: Cooling performance data - 4 ton

Air temperature entering outdoor unit (°F)	Indoor CFM	1200						1500						1800																	
		ID DB (°F)		80		75		80		80		75		80		80		75		80		80									
		ID WB (°F)	57	62	62	67	72	57	62	62	67	72	57	62	62	67	72	57	62	62	67	72									
55	TC	42.5	46.4	47.0	51.0	55.4	45.3	48.3	48.8	52.5	56.2	47.9	50.2	50.5	54.1	57.0	42.5	39.9	34.2	33.4	27.8	45.3	43.0	36.1	34.6	27.9	47.9	46.1	38.0	35.7	27.9
	SC	2.50	2.53	2.53	2.56	2.61	2.65	2.65	2.66	2.69	2.73	2.76	2.78	2.78	2.81	2.86	2.50	2.53	2.53	2.56	2.61	2.65	2.65	2.66	2.69	2.73	2.76	2.78	2.78	2.81	2.86
	kW	41.9	45.3	45.7	50.4	54.4	44.5	47.1	47.5	51.7	55.4	47.1	48.8	49.3	53.0	56.5	41.9	39.8	33.7	33.4	27.5	44.5	42.7	35.7	34.6	27.7	47.1	45.5	37.7	35.8	27.9
65	TC	41.1	43.9	44.1	49.2	52.9	43.5	45.6	45.9	50.4	54.2	46.0	47.2	47.7	51.6	55.5	41.1	39.4	33.0	33.1	26.9	43.5	42.0	35.0	34.3	27.2	46.0	44.6	37.1	35.5	27.6
	SC	3.02	3.04	3.05	3.07	3.11	3.17	3.17	3.18	3.20	3.24	3.28	3.29	3.30	3.32	3.36	3.02	3.04	3.05	3.07	3.11	3.17	3.17	3.18	3.20	3.24	3.28	3.29	3.30	3.32	3.36
	kW	40.0	42.3	42.5	47.4	51.1	42.1	43.8	44.2	48.5	52.5	44.5	45.3	45.8	49.7	53.8	40.0	38.8	32.2	32.3	26.2	42.1	41.1	34.2	33.6	26.6	44.5	43.5	36.2	34.8	27.0
85	TC	38.6	40.4	40.8	45.0	48.9	40.5	41.8	42.2	46.2	50.3	42.8	43.2	43.6	47.4	51.6	38.6	37.8	31.3	31.1	25.2	40.5	39.9	33.1	32.5	25.6	42.8	42.0	34.9	33.8	26.1
	SC	3.78	3.80	3.81	3.83	3.86	3.92	3.92	3.93	3.95	3.98	4.04	4.04	4.05	4.07	4.10	3.78	3.80	3.81	3.83	3.86	3.92	3.92	3.93	3.95	3.98	4.04	4.04	4.05	4.07	4.10
	kW	36.9	38.2	38.9	42.0	46.4	38.6	39.5	39.9	43.3	47.6	40.8	40.8	41.0	44.6	48.8	36.9	36.5	30.2	29.4	24.0	38.6	38.4	31.8	30.9	24.4	40.8	40.3	33.4	32.5	24.9
105	TC	34.9	35.7	36.9	38.5	43.4	36.4	37.0	37.4	39.9	44.4	38.4	38.2	38.0	41.4	45.5	34.9	34.8	29.0	27.3	22.6	36.4	36.5	30.2	29.0	23.0	38.4	38.3	31.4	30.7	23.3
	SC	4.79	4.79	4.80	4.82	4.84	4.91	4.91	4.92	4.94	4.96	5.04	5.02	5.04	5.06	5.09	4.79	4.79	4.80	4.82	4.84	4.91	4.91	4.92	4.94	4.96	5.04	5.02	5.04	5.06	5.09
	kW	32.6	33.0	34.7	34.3	40.1	34.0	34.2	34.7	36.1	40.8	35.8	35.4	34.7	37.8	41.5	32.6	32.8	27.7	24.7	21.0	34.0	34.3	28.4	26.6	21.3	35.8	35.9	29.2	28.5	21.5
125	TC	5.38	5.38	5.38	5.41	5.42	5.49	5.49	5.50	5.53	5.55	5.63	5.60	5.62	5.67	5.38	5.38	5.38	5.41	5.42	5.49	5.49	5.50	5.53	5.55	5.63	5.60	5.62	5.64	5.67	
	SC	32.6	33.0	34.7	34.3	40.1	34.0	34.2	34.7	36.1	40.8	35.8	35.4	34.7	37.8	41.5	32.6	32.8	27.7	24.7	21.0	34.0	34.3	28.4	26.6	21.3	35.8	35.9	29.2	28.5	21.5
	kW	32.6	33.0	34.7	34.3	40.1	34.0	34.2	34.7	36.1	40.8	35.8	35.4	34.7	37.8	41.5	32.6	32.8	27.7	24.7	21.0	34.0	34.3	28.4	26.6	21.3	35.8	35.9	29.2	28.5	21.5

Cooling multipliers for determining the performance with other indoor sections

For dry bulb temperatures different than those listed (between 73 °F - 87 °F), sensible capacity increases by 1060 Btuh per 1000 CFM per degree above the listed temperature and decreases by 1060 Btuh per 1000 CFM per degree below the listed temperature.

Cool multiplier airhandler - 4 ton

Table 56: Cool multiplier air handler - 4 ton

Air handler model	Indoor coil model	TC	SC	kW
—	XAH/XAHC60H	1.01	1.06	1.03
—	XAH/XAHD60H	1.01	1.06	1.03
JHETC48GBCS2N1	—	1.00	1.01	1
JHETC60HBCS2N1	—	1.02	1.05	1.01
JHETD48GBCS2N1	—	1.01	1	0.99
JHETD60HBCS2N1	—	1.02	1.05	0.98
JHVTC48GBCC2N1	—	1.01	1.02	1
JHVTC60HBCC2N1	—	1.01	1.03	0.98
JHVTD48GBCC2N1	—	1.01	0.99	0.99
JHVTD60HBCC2N1	—	1.01	1.03	0.96
JMET12CS2N1A	XAF/XAF/XAUC60G	1.01	1	1
JMET12CS2N1A	XAF/XAFC60H	1.02	1.02	0.98
JMET12CS2N1A	XAH/XAHC60G	1.03	1.04	0.97
JMET12CS2N1A	XAH/XAHC60H	1.02	1.06	0.98
JMET12CS4N1A	XAF/XAF/XAUC60G	1.01	0.99	1
JMET12CS4N1A	XAH/XAHC60G	1.04	1.05	0.99
JMET12CS4N1A	XAH/XAHC60H	1.03	1.07	0.98
JMET16CS2N1A	XAF/XAF/XAUC60G	1.01	1.03	1.02
JMET16CS2N1A	XAF/XAFC60H	1.02	1.01	0.97
JMET16CS2N1A	XAH/XAHC60G	1.03	1.07	0.99
JMET16CS2N1A	XAH/XAHC60H	1.02	1.04	0.97
JMET16CS4N1A	XAF/XAF/XAUC60G	1.00	1.01	1
JMET16CS4N1A	XAF/XAFC60H	1.02	1.03	0.98
JMET16CS4N1A	XAH/XAHC60G	1.03	1.09	1
JMET16CS4N1A	XAH/XAHC60H	1.02	1.08	0.98
JMET18DS2N1A	XAF/XAF/XAUD60G	1.01	1.03	1
JMET18DS2N1A	XAF/XAF/XAUD60H	1.01	1.03	0.97
JMET18DS2N1A	XAH/XAHD60G	1.03	1.07	0.98
JMET18DS2N1A	XAH/XAHD60H	1.02	1.09	0.98
JMET18DS4N1A	XAF/XAF/XAUD60G	1.00	1.04	1.01
JMET18DS4N1A	XAF/XAF/XAUD60H	1.01	1.03	0.97
JMET18DS4N1A	XAH/XAHD60G	1.03	1.07	0.98
JMET18DS4N1A	XAH/XAHD60H	1.03	1.09	0.99

Table 56: Cool multiplier air handler - 4 ton

Air handler model	Indoor coil model	TC	SC	kW
JMVT16CC2N1A	XAF/XAF/XAUC60G	1.00	1	0.99
JMVT16CC2N1A	XAF/XAFC60H	1.02	1.03	0.98
JMVT16CC2N1A	XAH/XAHC60G	1.03	1.07	0.98
JMVT16CC2N1A	XAH/XAHC60H	1.02	1.08	0.98
JMVT17CC2N1A	XAF/XAF/XAUC60G	1.01	0.99	0.99
JMVT17CC2N1A	XAF/XAFC60H	1.02	1.03	0.98
JMVT17CC2N1A	XAH/XAHC60G	1.03	1.07	0.98
JMVT17CC2N1A	XAH/XAHC60H	1.02	1.08	0.98
JMVT20DC2N1A	XAF/XAF/XAUD60G	1.01	1.02	0.99
JMVT20DC2N1A	XAF/XAF/XAUD60H	1.02	1.05	0.97
JMVT20DC2N1A	XAH/XAHD60G	1.03	1.07	0.98
JMVT20DC2N1A	XAH/XAHD60H	1.02	1.09	0.97

Cool multiplier furnace - 4 ton

Table 57: Cool multiplier furnace - 4 ton

Furnace model	Indoor coil model	TC	SC	kW
TL8E080C16UH11	XAF/XAF/XAUC60G	1.00	0.99	1.05
TL8E080C16UH11	XAF/XAF/XAUD60G	1.00	1	1.05
TL8E080C16UH11	XAF/XAF/XAUD60H	1.02	1	0.99
TL8E080C16UH11	XAF/XAFC60H	1.02	1	0.99
TL8E080C16UH11	XAH/XAHC60G	1.03	1.02	1
TL8E080C16UH11	XAH/XAHC60H	1.03	1.04	1
TL8E080C16UH11	XAH/XAHD60G	1.03	1.02	1.01
TL8E080C16UH11	XAH/XAHD60H	1.02	1.02	0.99
TL8E100C20UH11	XAF/XAF/XAUC60G	1.00	1	1.02
TL8E100C20UH11	XAF/XAF/XAUD60G	1.01	1.01	1.02
TL8E100C20UH11	XAF/XAF/XAUD60H	1.02	1.01	0.99
TL8E100C20UH11	XAF/XAFC60H	1.02	1.01	0.98
TL8E100C20UH11	XAH/XAHC60G	1.03	1.05	1
TL8E100C20UH11	XAH/XAHC60H	1.03	1.06	0.99
TL8E100C20UH11	XAH/XAHD60G	1.03	1.05	1.01
TL8E100C20UH11	XAH/XAHD60H	1.03	1.06	0.99
TL9E060B12UH11	XAH/XAHC60H	1.01	1.01	1.03
TL9E080C16UH11	XAF/XAF/XAUC60G	0.99	0.98	1.05
TL9E080C16UH11	XAF/XAF/XAUD60G	0.99	0.98	1.05
TL9E080C16UH11	XAF/XAF/XAUD60H	1.01	0.98	0.99
TL9E080C16UH11	XAF/XAFC60H	1.02	1	1
TL9E080C16UH11	XAH/XAHC60G	1.02	1.04	1.04
TL9E080C16UH11	XAH/XAHC60H	1.02	1.02	1

Table 57: Cool multiplier furnace - 4 ton

Furnace model	Indoor coil model	TC	SC	kW
TL9E080C16UH11	XAH/XAHD60G	1.02	1.02	1.01
TL9E080C16UH11	XAH/XAHD60H	1.02	1.02	1.01
TL9E100C20UH11	XAF/XAF/XAUC60G	1.00	1	1.03
TL9E100C20UH11	XAF/XAF/XAUD60G	1.00	1	1.03
TL9E100C20UH11	XAF/XAF/XAUD60H	1.02	1.01	0.99
TL9E100C20UH11	XAF/XAFC60H	1.02	1.01	0.99
TL9E100C20UH11	XAH/XAHC60G	1.03	1.02	0.99
TL9E100C20UH11	XAH/XAHC60H	1.02	1.06	0.99
TL9E100C20UH11	XAH/XAHD60G	1.03	1.02	0.99
TL9E100C20UH11	XAH/XAHD60H	1.02	1.04	0.99
TM8E080B12MP11	XAF/XAF/XAUC60G	1.00	0.97	1.05
TM8E080B12MP11	XAF/XAFC60H	1.01	1	1.03
TM8E080B12MP11	XAH/XAHC60G	1.03	1.02	1.03
TM8E080B12MP11	XAH/XAHC60H	1.02	1.02	1.01
TM8E080C16MP11	XAF/XAF/XAUC60G	1.00	1	1.04
TM8E080C16MP11	XAF/XAF/XAUD60G	1.00	1	1.04
TM8E080C16MP11	XAF/XAF/XAUD60H	1.02	1	0.99
TM8E080C16MP11	XAF/XAFC60H	1.02	1	0.99
TM8E080C16MP11	XAH/XAHC60G	1.02	1.04	1.02
TM8E080C16MP11	XAH/XAHC60H	1.03	1.04	0.99
TM8E080C16MP11	XAH/XAHD60G	1.02	1.04	1.02
TM8E080C16MP11	XAH/XAHD60H	1.02	1.02	0.99
TM8E080C20MP11	XAF/XAF/XAUC60G	1.00	1.01	1.04
TM8E080C20MP11	XAF/XAF/XAUD60G	1.00	1.01	1.04
TM8E080C20MP11	XAF/XAF/XAUD60H	1.01	1.02	0.99
TM8E080C20MP11	XAF/XAFC60H	1.01	1.02	0.99
TM8E080C20MP11	XAH/XAHC60G	1.02	1.04	0.99
TM8E080C20MP11	XAH/XAHC60H	1.01	1.06	0.99
TM8E080C20MP11	XAH/XAHD60G	1.03	1.04	1
TM8E080C20MP11	XAH/XAHD60H	1.01	1.06	0.99
TM8E100B12MP11	XAF/XAFC60H	1.01	0.98	1
TM8E100B12MP11	XAH/XAHC60H	1.02	1.02	1
TM8E100C16MP11	XAF/XAF/XAUC60G	1.00	1	1.04
TM8E100C16MP11	XAF/XAF/XAUD60G	1.00	1	1.04
TM8E100C16MP11	XAF/XAF/XAUD60H	1.02	1	0.99
TM8E100C16MP11	XAF/XAFC60H	1.02	1	0.98
TM8E100C16MP11	XAH/XAHC60G	1.02	1.04	1.02
TM8E100C16MP11	XAH/XAHC60H	1.02	1.04	0.99
TM8E100C16MP11	XAH/XAHD60G	1.02	1.04	1.02

Table 57: Cool multiplier furnace - 4 ton

Furnace model	Indoor coil model	TC	SC	kW
TM8E100C16MP11	XAH/XAHD60H	1.02	1.03	0.99
TM8E100C20MP11	XAF/XAF/XAUC60G	1.00	1.01	1.05
TM8E100C20MP11	XAF/XAF/XAUD60G	1.00	1.01	1.04
TM8E100C20MP11	XAF/XAF/XAUD60H	1.01	1.01	0.99
TM8E100C20MP11	XAF/XAFC60H	1.02	1.02	0.99
TM8E100C20MP11	XAH/XAHC60G	1.03	1.04	0.99
TM8E100C20MP11	XAH/XAHC60H	1.02	1.06	0.99
TM8E100C20MP11	XAH/XAHD60G	1.03	1.04	1
TM8E100C20MP11	XAH/XAHD60H	1.02	1.06	1
TM8E120C16MP11	XAF/XAF/XAUC60G	1.00	1	1.04
TM8E120C16MP11	XAF/XAF/XAUD60G	1.00	1	1.04
TM8E120C16MP11	XAF/XAF/XAUD60H	1.02	1	0.98
TM8E120C16MP11	XAF/XAFC60H	1.01	1	0.98
TM8E120C16MP11	XAH/XAHC60G	1.02	1.04	1.01
TM8E120C16MP11	XAH/XAHC60H	1.02	1.04	0.99
TM8E120C16MP11	XAH/XAHD60G	1.02	1.04	1.02
TM8E120C16MP11	XAH/XAHD60H	1.03	1.04	1
TM8E120C20MP11	XAF/XAF/XAUC60G	1.00	1.01	1.04
TM8E120C20MP11	XAF/XAF/XAUD60G	0.99	1.01	1.04
TM8E120C20MP11	XAF/XAF/XAUD60H	1.02	1.02	0.99
TM8E120C20MP11	XAF/XAFC60H	1.02	1.02	0.99
TM8E120C20MP11	XAH/XAHC60G	1.03	1.04	0.99
TM8E120C20MP11	XAH/XAHC60H	1.02	1.06	0.98
TM8E120C20MP11	XAH/XAHD60G	1.03	1.04	1
TM8E120C20MP11	XAH/XAHD60H	1.02	1.06	0.99
TM8E130D20MP11	XAF/XAF/XAUD60G	0.99	1.01	1.04
TM8E130D20MP11	XAF/XAF/XAUD60H	1.01	1.02	1
TM8E130D20MP11	XAH/XAHD60G	1.03	1.05	1.01
TM8E130D20MP11	XAH/XAHD60H	1.02	1.08	1.01
TM8V080C16MP12C	XAF/XAF/XAUC60G	1.00	1	1.05
TM8V080C16MP12C	XAF/XAF/XAUD60G	1.00	1	1.05
TM8V080C16MP12C	XAF/XAF/XAUD60H	1.02	1	1
TM8V080C16MP12C	XAF/XAFC60H	1.02	1	0.99
TM8V080C16MP12C	XAH/XAHC60G	1.03	1.02	1
TM8V080C16MP12C	XAH/XAHC60H	1.03	1.04	1
TM8V080C16MP12C	XAH/XAHD60G	1.03	1.02	1.01
TM8V080C16MP12C	XAH/XAHD60H	1.02	1.02	1
TM8V100C16MP12C	XAF/XAF/XAUC60G	1.00	1	1.05
TM8V100C16MP12C	XAF/XAF/XAUD60G	1.00	1	1.05

Table 57: Cool multiplier furnace - 4 ton

Furnace model	Indoor coil model	TC	SC	kW
TM8V100C16MP12C	XAF/XAF/XAUD60H	1.02	1	1
TM8V100C16MP12C	XAF/XAFC60H	1.02	1	0.99
TM8V100C16MP12C	XAH/XAHC60G	1.03	1.02	1
TM8V100C16MP12C	XAH/XAHC60H	1.03	1.04	1
TM8V100C16MP12C	XAH/XAHD60G	1.03	1.02	1.01
TM8V100C16MP12C	XAH/XAHD60H	1.02	1.02	1
TM8V100C20MP12C	XAF/XAF/XAUC60G	1.00	1	1.03
TM8V100C20MP12C	XAF/XAF/XAUD60G	1.00	1.02	1.06
TM8V100C20MP12C	XAF/XAF/XAUD60H	1.00	1.03	1.02
TM8V100C20MP12C	XAF/XAFC60H	1.02	1.01	0.99
TM8V100C20MP12C	XAH/XAHC60G	1.02	1.04	1
TM8V100C20MP12C	XAH/XAHC60H	1.02	1.06	0.99
TM8V100C20MP12C	XAH/XAHD60G	1.02	1.07	1.04
TM8V100C20MP12C	XAH/XAHD60H	1.02	1.06	0.99
TM8V120C20MP12C	XAF/XAF/XAUC60G	1.00	1	1.03
TM8V120C20MP12C	XAF/XAF/XAUD60H	1.00	1.03	1.02
TM8V120C20MP12C	XAF/XAFC60H	1.01	1.01	0.98
TM8V120C20MP12C	XAH/XAHC60G	1.02	1.04	1
TM8V120C20MP12C	XAH/XAHC60H	1.02	1.06	0.99
TM8V120C20MP12C	XAH/XAHD60H	1.02	1.06	0.99
TM8Y080B12MP11	XAH/XAHC60H	1.02	1.02	1.01
TM8Y080C16MP11	XAF/XAF/XAUC60G	1.00	1	1.04
TM8Y080C16MP11	XAF/XAF/XAUD60G	0.99	0.98	1.03
TM8Y080C16MP11	XAF/XAF/XAUD60H	1.01	1	0.99
TM8Y080C16MP11	XAF/XAFC60H	1.01	1	0.99
TM8Y080C16MP11	XAH/XAHC60G	1.03	1.02	0.99
TM8Y080C16MP11	XAH/XAHC60H	1.02	1.04	0.99
TM8Y080C16MP11	XAH/XAHD60G	1.03	1.02	1.01
TM8Y080C16MP11	XAH/XAHD60H	1.02	1.04	1
TM8Y100C16MP11	XAF/XAF/XAUC60G	1.00	1	1.04
TM8Y100C16MP11	XAF/XAF/XAUD60G	1.00	1	1.04
TM8Y100C16MP11	XAF/XAF/XAUD60H	1.01	1	0.99
TM8Y100C16MP11	XAF/XAFC60H	1.02	1.01	0.99
TM8Y100C16MP11	XAH/XAHC60G	1.03	1.02	0.99
TM8Y100C16MP11	XAH/XAHC60H	1.02	1.04	0.99
TM8Y100C16MP11	XAH/XAHD60G	1.03	1.02	1
TM8Y100C16MP11	XAH/XAHD60H	1.02	1.04	1
TM8Y100C20MP11	XAF/XAF/XAUC60G	0.99	1.01	1.05
TM8Y100C20MP11	XAF/XAF/XAUD60G	0.99	1.01	1.04

Table 57: Cool multiplier furnace - 4 ton

Furnace model	Indoor coil model	TC	SC	kW
TM8Y100C20MP11	XAF/XAF/XAUD60H	1.02	1.01	0.98
TM8Y100C20MP11	XAF/XAFC60H	1.02	1.01	0.98
TM8Y100C20MP11	XAH/XAHC60G	1.03	1.06	1
TM8Y100C20MP11	XAH/XAHC60H	1.02	1.04	0.98
TM8Y100C20MP11	XAH/XAHD60G	1.03	1.04	1
TM8Y100C20MP11	XAH/XAHD60H	1.02	1.04	0.99
TM8Y120C20MP11	XAF/XAF/XAUC60G	0.99	1.01	1.05
TM8Y120C20MP11	XAF/XAF/XAUD60G	0.99	1.01	1.04
TM8Y120C20MP11	XAF/XAF/XAUD60H	1.02	1.01	0.98
TM8Y120C20MP11	XAF/XAFC60H	1.02	1.01	0.98
TM8Y120C20MP11	XAH/XAHC60G	1.03	1.06	1
TM8Y120C20MP11	XAH/XAHC60H	1.02	1.04	0.98
TM8Y120C20MP11	XAH/XAHD60G	1.03	1.04	1
TM8Y120C20MP11	XAH/XAHD60H	1.02	1.04	0.99
TM9E060B12MP12	XAH/XAHC60H	1.01	1.01	1.03
TM9E080B12MP12	XAF/XAF/XAUC60G	1.00	0.97	1.05
TM9E080B12MP12	XAF/XAFC60H	1.01	1	1.02
TM9E080B12MP12	XAH/XAHC60G	1.03	1.02	1.02
TM9E080B12MP12	XAH/XAHC60H	1.02	1.02	1.01
TM9E080C16MP12	XAF/XAF/XAUC60G	1.00	1	1.05
TM9E080C16MP12	XAF/XAF/XAUD60G	1.00	1	1.05
TM9E080C16MP12	XAF/XAF/XAUD60H	1.01	0.98	0.99
TM9E080C16MP12	XAF/XAFC60H	1.02	1	1
TM9E080C16MP12	XAH/XAHC60G	1.02	1.04	1.02
TM9E080C16MP12	XAH/XAHC60H	1.02	1.02	0.99
TM9E080C16MP12	XAH/XAHD60G	1.02	1.04	1.02
TM9E080C16MP12	XAH/XAHD60H	1.02	1.02	1
TM9E080C20MP12	XAF/XAF/XAUC60G	1.00	1.01	1.05
TM9E080C20MP12	XAF/XAF/XAUD60G	0.99	1.01	1.04
TM9E080C20MP12	XAF/XAF/XAUD60H	1.02	1.01	0.99
TM9E080C20MP12	XAF/XAFC60H	1.02	1.02	1
TM9E080C20MP12	XAH/XAHC60G	1.03	1.04	1
TM9E080C20MP12	XAH/XAHC60H	1.02	1.06	0.99
TM9E080C20MP12	XAH/XAHD60G	1.03	1.04	1
TM9E080C20MP12	XAH/XAHD60H	1.02	1.04	0.99
TM9E100C16MP12	XAF/XAF/XAUC60G	1.00	1	1.06
TM9E100C16MP12	XAF/XAF/XAUD60G	1.00	1	1.06
TM9E100C16MP12	XAF/XAF/XAUD60H	1.02	1	1
TM9E100C16MP12	XAF/XAFC60H	1.02	1	1

Table 57: Cool multiplier furnace - 4 ton

Furnace model	Indoor coil model	TC	SC	kW
TM9E100C16MP12	XAH/XAHC60G	1.02	1.04	1.03
TM9E100C16MP12	XAH/XAHC60H	1.02	1.02	0.99
TM9E100C16MP12	XAH/XAHD60G	1.02	1.04	1.04
TM9E100C16MP12	XAH/XAHD60H	1.02	1.02	1
TM9E100C20MP12	XAF/XAF/XAUC60G	1.00	1.01	1.05
TM9E100C20MP12	XAF/XAF/XAUD60G	1.00	1.01	1.04
TM9E100C20MP12	XAF/XAF/XAUD60H	1.02	1.01	0.99
TM9E100C20MP12	XAF/XAFC60H	1.02	1.01	0.98
TM9E100C20MP12	XAH/XAHC60G	1.03	1.04	1
TM9E100C20MP12	XAH/XAHC60H	1.02	1.06	0.99
TM9E100C20MP12	XAH/XAHD60G	1.03	1.04	1
TM9E100C20MP12	XAH/XAHD60H	1.02	1.06	1
TM9E120D20MP12	XAF/XAF/XAUD60G	1.00	1.01	1.05
TM9E120D20MP12	XAF/XAF/XAUD60H	1.01	1.01	0.99
TM9E120D20MP12	XAH/XAHD60G	1.02	1.04	1.01
TM9E120D20MP12	XAH/XAHD60H	1.01	1.08	1.03
TM9V080B12MP12C	XAF/XAF/XAUC60G	1.00	0.97	1.06
TM9V080B12MP12C	XAF/XAFC60H	1.01	0.98	1.01
TM9V080B12MP12C	XAH/XAHC60G	1.02	1.01	1.03
TM9V080B12MP12C	XAH/XAHC60H	1.02	1.02	1.02
TM9V080C16MP12C	XAF/XAF/XAUC60G	0.99	0.98	1.06
TM9V080C16MP12C	XAF/XAF/XAUD60G	0.98	0.98	1.06
TM9V080C16MP12C	XAF/XAF/XAUD60H	1.01	1	1.01
TM9V080C16MP12C	XAF/XAFC60H	1.01	1	1
TM9V080C16MP12C	XAH/XAHC60G	1.02	1.04	1.04
TM9V080C16MP12C	XAH/XAHC60H	1.01	1.02	1
TM9V080C16MP12C	XAH/XAHD60G	1.02	1.04	1.05
TM9V080C16MP12C	XAH/XAHD60H	1.02	1.02	1.01
TM9V100C16MP12C	XAF/XAF/XAUC60G	0.98	0.99	1.06
TM9V100C16MP12C	XAF/XAF/XAUD60G	0.99	1.01	1.06
TM9V100C16MP12C	XAF/XAF/XAUD60H	1.01	1	0.99
TM9V100C16MP12C	XAF/XAFC60H	1.01	1	0.98
TM9V100C16MP12C	XAH/XAHC60G	1.03	1.04	1.01
TM9V100C16MP12C	XAH/XAHC60H	1.02	1.04	0.99
TM9V100C16MP12C	XAH/XAHD60G	1.03	1.04	1.01
TM9V100C16MP12C	XAH/XAHD60H	1.02	1.04	1
TM9V100C20MP12C	XAF/XAF/XAUC60G	0.99	1	1.06
TM9V100C20MP12C	XAF/XAF/XAUD60G	0.99	1	1.05
TM9V100C20MP12C	XAF/XAF/XAUD60H	1.02	1	0.99

Table 57: Cool multiplier furnace - 4 ton

Furnace model	Indoor coil model	TC	SC	kW
TM9V100C20MP12C	XAF/XAFC60H	1.02	1	0.99
TM9V100C20MP12C	XAH/XAHC60G	1.02	1.02	1
TM9V100C20MP12C	XAH/XAHC60H	1.02	1.04	1
TM9V100C20MP12C	XAH/XAHD60G	1.02	1.06	1.04
TM9V100C20MP12C	XAH/XAHD60H	1.02	1.02	1
TM9V120D20MP12C	XAF/XAF/XAUD60G	0.99	1.01	1.03
TM9V120D20MP12C	XAF/XAF/XAUD60H	1.01	1.01	0.99
TM9V120D20MP12C	XAH/XAHD60G	1.03	1.04	1
TM9V120D20MP12C	XAH/XAHD60H	1.02	1.06	1
TM9Y080B12MP11	XAF/XAF/XAUC60G	1.00	0.97	1.05
TM9Y080B12MP11	XAH/XAHC60G	1.02	1	1.02
TM9Y080B12MP11	XAH/XAHC60H	1.01	1.02	1.03
TM9Y080C16MP11	XAF/XAF/XAUC60G	0.99	0.97	1.03
TM9Y080C16MP11	XAF/XAF/XAUD60G	0.99	0.97	1.03
TM9Y080C16MP11	XAF/XAF/XAUD60H	1.01	0.98	1
TM9Y080C16MP11	XAF/XAFC60H	1.02	1	1
TM9Y080C16MP11	XAH/XAHC60G	1.02	1.02	1.01
TM9Y080C16MP11	XAH/XAHC60H	1.02	1.02	1
TM9Y080C16MP11	XAH/XAHD60G	1.03	1.02	1.02
TM9Y080C16MP11	XAH/XAHD60H	1.02	1.02	1.01
TM9Y100C16MP11	XAF/XAF/XAUC60G	0.99	0.97	1.03
TM9Y100C16MP11	XAF/XAF/XAUD60G	0.99	0.97	1.03
TM9Y100C16MP11	XAF/XAF/XAUD60H	1.01	0.98	0.99
TM9Y100C16MP11	XAF/XAFC60H	1.02	1	1
TM9Y100C16MP11	XAH/XAHC60G	1.02	1.02	1.01
TM9Y100C16MP11	XAH/XAHC60H	1.02	1.02	0.99
TM9Y100C16MP11	XAH/XAHD60G	1.03	1.02	1.02
TM9Y100C16MP11	XAH/XAHD60H	1.02	1.02	1
TM9Y100C20MP11	XAF/XAF/XAUC60G	0.99	1	1.06
TM9Y100C20MP11	XAF/XAF/XAUD60G	0.99	1	1.06
TM9Y100C20MP11	XAF/XAF/XAUD60H	1.00	1.01	1.01
TM9Y100C20MP11	XAF/XAFC60H	1.00	1.01	1.01
TM9Y100C20MP11	XAH/XAHC60G	1.03	1.04	1.02
TM9Y100C20MP11	XAH/XAHC60H	1.01	1.06	1.01
TM9Y100C20MP11	XAH/XAHD60G	1.02	1.04	1.04
TM9Y100C20MP11	XAH/XAHD60H	1.02	1.06	1.02
TM9Y120D20MP11	XAF/XAF/XAUD60G	0.99	1.01	1.06
TM9Y120D20MP11	XAF/XAF/XAUD60H	1.02	1.01	0.99
TM9Y120D20MP11	XAH/XAHD60G	1.03	1.02	1

Table 57: Cool multiplier furnace - 4 ton

Furnace model	Indoor coil model	TC	SC	kW
TM9Y120D20MP11	XAH/XAHD60H	1.02	1.04	0.99
TMLE080B12MP11	XAF/XAF/XAUC60G	1.00	0.97	1.05
TMLE080B12MP11	XAF/XAFC60H	1.01	1	1.03
TMLE080B12MP11	XAH/XAHC60G	1.03	1.02	1.03
TMLE080B12MP11	XAH/XAHC60H	1.02	1.02	1.01
TMLE080C16MP11	XAF/XAF/XAUC60G	1.00	1	1.04
TMLE080C16MP11	XAF/XAF/XAUD60G	1.00	1	1.04
TMLE080C16MP11	XAF/XAF/XAUD60H	1.02	1	0.99
TMLE080C16MP11	XAF/XAFC60H	1.02	1	0.99
TMLE080C16MP11	XAH/XAHC60G	1.02	1.04	1.02
TMLE080C16MP11	XAH/XAHC60H	1.03	1.04	0.99
TMLE080C16MP11	XAH/XAHD60G	1.02	1.04	1.02
TMLE080C16MP11	XAH/XAHD60H	1.02	1.02	0.99
TMLE080C20MP11	XAF/XAF/XAUC60G	1.00	1.01	1.04
TMLE080C20MP11	XAF/XAF/XAUD60G	1.00	1.01	1.04
TMLE080C20MP11	XAF/XAF/XAUD60H	1.01	1.02	0.99
TMLE080C20MP11	XAF/XAFC60H	1.01	1.02	0.99
TMLE080C20MP11	XAH/XAHC60G	1.02	1.04	0.99
TMLE080C20MP11	XAH/XAHC60H	1.01	1.06	0.99
TMLE080C20MP11	XAH/XAHD60G	1.03	1.04	1
TMLE080C20MP11	XAH/XAHD60H	1.01	1.06	0.99
TMLE100B12MP11	XAF/XAFC60H	1.01	0.98	1
TMLE100B12MP11	XAH/XAHC60H	1.02	1.02	1
TMLE100C16MP11	XAF/XAF/XAUC60G	1.00	1	1.04
TMLE100C16MP11	XAF/XAF/XAUD60G	1.00	1	1.04
TMLE100C16MP11	XAF/XAF/XAUD60H	1.02	1	0.99
TMLE100C16MP11	XAF/XAFC60H	1.02	1	0.98
TMLE100C16MP11	XAH/XAHC60G	1.02	1.04	1.02
TMLE100C16MP11	XAH/XAHC60H	1.02	1.04	0.99
TMLE100C16MP11	XAH/XAHD60G	1.02	1.04	1.02
TMLE100C16MP11	XAH/XAHD60H	1.02	1.03	0.99
TMLE100C20MP11	XAF/XAF/XAUC60G	1.00	1.01	1.05
TMLE100C20MP11	XAF/XAF/XAUD60G	1.00	1.01	1.04
TMLE100C20MP11	XAF/XAF/XAUD60H	1.01	1.01	0.99
TMLE100C20MP11	XAF/XAFC60H	1.02	1.02	0.99
TMLE100C20MP11	XAH/XAHC60G	1.03	1.04	0.99
TMLE100C20MP11	XAH/XAHC60H	1.02	1.06	0.99
TMLE100C20MP11	XAH/XAHD60G	1.03	1.04	1
TMLE100C20MP11	XAH/XAHD60H	1.02	1.06	1

Table 57: Cool multiplier furnace - 4 ton

Furnace model	Indoor coil model	TC	SC	kW
TMLE120C16MP11	XAF/XAF/XAUC60G	1.00	1	1.04
TMLE120C16MP11	XAF/XAF/XAUD60G	1.00	1	1.04
TMLE120C16MP11	XAF/XAF/XAUD60H	1.02	1	0.98
TMLE120C16MP11	XAF/XAFC60H	1.01	1	0.98
TMLE120C16MP11	XAH/XAHC60G	1.02	1.04	1.01
TMLE120C16MP11	XAH/XAHC60H	1.02	1.04	0.99
TMLE120C16MP11	XAH/XAHD60G	1.02	1.04	1.02
TMLE120C16MP11	XAH/XAHD60H	1.03	1.04	1
TMLE120C20MP11	XAF/XAF/XAUC60G	1.00	1.01	1.04
TMLE120C20MP11	XAF/XAF/XAUD60G	0.99	1.01	1.04
TMLE120C20MP11	XAF/XAF/XAUD60H	1.02	1.02	0.99
TMLE120C20MP11	XAF/XAFC60H	1.02	1.02	0.99
TMLE120C20MP11	XAH/XAHC60G	1.03	1.04	0.99
TMLE120C20MP11	XAH/XAHC60H	1.02	1.06	0.98
TMLE120C20MP11	XAH/XAHD60G	1.03	1.04	1
TMLE120C20MP11	XAH/XAHD60H	1.02	1.06	0.99
TMLE130D20MP11	XAF/XAF/XAUD60G	0.99	1.01	1.04
TMLE130D20MP11	XAF/XAF/XAUD60H	1.01	1.02	1
TMLE130D20MP11	XAH/XAHD60G	1.03	1.05	1.01
TMLE130D20MP11	XAH/XAHD60H	1.02	1.08	1.01
TMLV100C16MP12C	XAF/XAF/XAUC60G	1.00	1	1.05
TMLV100C16MP12C	XAF/XAF/XAUD60G	1.00	1	1.05
TMLV100C16MP12C	XAF/XAF/XAUD60H	1.02	1	1
TMLV100C16MP12C	XAF/XAFC60H	1.02	1	0.99
TMLV100C16MP12C	XAH/XAHC60G	1.03	1.02	1
TMLV100C16MP12C	XAH/XAHC60H	1.03	1.04	1
TMLV100C16MP12C	XAH/XAHD60G	1.03	1.02	1.01
TMLV100C16MP12C	XAH/XAHD60H	1.02	1.02	1
TMLV120C20MP12C	XAF/XAF/XAUC60G	1.00	1	1.03
TMLV120C20MP12C	XAF/XAF/XAUD60H	1.00	1.03	1.02
TMLV120C20MP12C	XAF/XAFC60H	1.01	1.01	0.98
TMLV120C20MP12C	XAH/XAHC60G	1.02	1.04	1
TMLV120C20MP12C	XAH/XAHC60H	1.02	1.06	0.99
TMLV120C20MP12C	XAH/XAHD60H	1.02	1.06	0.99
TP9C080B12MP13C	XAF/XAF/XAUC60G	1.00	0.97	1.06
TP9C080B12MP13C	XAF/XAFC60H	1.01	0.98	1.01
TP9C080B12MP13C	XAH/XAHC60G	1.02	1.01	1.03
TP9C080B12MP13C	XAH/XAHC60H	1.02	1.02	1.02
TP9C080C16MP13C	XAF/XAF/XAUC60G	0.99	0.98	1.06

Table 57: Cool multiplier furnace - 4 ton

Furnace model	Indoor coil model	TC	SC	kW
TP9C080C16MP13C	XAF/XAF/XAUD60G	0.98	0.98	1.06
TP9C080C16MP13C	XAF/XAF/XAUD60H	1.01	1	1.01
TP9C080C16MP13C	XAF/XAFC60H	1.01	1	1
TP9C080C16MP13C	XAH/XAHC60G	1.02	1.04	1.04
TP9C080C16MP13C	XAH/XAHC60H	1.01	1.02	1
TP9C080C16MP13C	XAH/XAHD60G	1.02	1.04	1.05
TP9C080C16MP13C	XAH/XAHD60H	1.02	1.02	1.01
TP9C100C16MP13C	XAF/XAF/XAUC60G	0.98	0.99	1.06
TP9C100C16MP13C	XAF/XAF/XAUD60G	0.99	1.01	1.06
TP9C100C16MP13C	XAF/XAF/XAUD60H	1.01	1	0.99
TP9C100C16MP13C	XAF/XAFC60H	1.01	1	0.98
TP9C100C16MP13C	XAH/XAHC60G	1.03	1.04	1.01
TP9C100C16MP13C	XAH/XAHC60H	1.02	1.04	0.99
TP9C100C16MP13C	XAH/XAHD60G	1.03	1.04	1.01
TP9C100C16MP13C	XAH/XAHD60H	1.02	1.04	1
TP9C100C20MP13C	XAF/XAF/XAUC60G	0.99	1	1.06
TP9C100C20MP13C	XAF/XAF/XAUD60G	0.99	1	1.05
TP9C100C20MP13C	XAF/XAF/XAUD60H	1.02	1	0.99
TP9C100C20MP13C	XAF/XAFC60H	1.02	1	0.99
TP9C100C20MP13C	XAH/XAHC60G	1.02	1.02	1
TP9C100C20MP13C	XAH/XAHC60H	1.02	1.04	1
TP9C100C20MP13C	XAH/XAHD60G	1.02	1.06	1.04
TP9C100C20MP13C	XAH/XAHD60H	1.02	1.02	1
TP9C120D20MP13C	XAF/XAF/XAUD60G	0.99	1.01	1.03
TP9C120D20MP13C	XAF/XAF/XAUD60H	1.01	1.01	0.99
TP9C120D20MP13C	XAH/XAHD60G	1.03	1.04	1
TP9C120D20MP13C	XAH/XAHD60H	1.02	1.06	1
TPLC080C16MP13C	XAF/XAF/XAUC60G	1.00	1	1.05
TPLC080C16MP13C	XAF/XAF/XAUD60G	1.00	1	1.05
TPLC080C16MP13C	XAF/XAF/XAUD60H	1.02	1	1
TPLC080C16MP13C	XAF/XAFC60H	1.02	1	0.99
TPLC080C16MP13C	XAH/XAHC60G	1.03	1.02	1
TPLC080C16MP13C	XAH/XAHC60H	1.03	1.04	1
TPLC080C16MP13C	XAH/XAHD60G	1.03	1.02	1.01
TPLC080C16MP13C	XAH/XAHD60H	1.02	1.02	1
TPLC100C16MP13C	XAF/XAF/XAUC60G	1.00	1	1.05
TPLC100C16MP13C	XAF/XAF/XAUD60G	1.00	1	1.05
TPLC100C16MP13C	XAF/XAF/XAUD60H	1.02	1	1
TPLC100C16MP13C	XAF/XAFC60H	1.02	1	0.99

Table 57: Cool multiplier furnace - 4 ton

Furnace model	Indoor coil model	TC	SC	kW
TPLC100C16MP13C	XAH/XAHC60G	1.03	1.02	1
TPLC100C16MP13C	XAH/XAHC60H	1.03	1.04	1
TPLC100C16MP13C	XAH/XAHD60G	1.03	1.02	1.01
TPLC100C16MP13C	XAH/XAHD60H	1.02	1.02	1
TPLC100C20MP13C	XAF/XAF/XAUC60G	1.00	1	1.03
TPLC100C20MP13C	XAF/XAF/XAUD60H	1.00	1.03	1.02
TPLC100C20MP13C	XAF/XAFC60H	1.01	1.01	0.98
TPLC100C20MP13C	XAH/XAHC60G	1.02	1.04	1
TPLC100C20MP13C	XAH/XAHC60H	1.02	1.06	0.99
TPLC100C20MP13C	XAH/XAHD60H	1.02	1.06	0.99
TPLC120C20MP13C	XAF/XAF/XAUC60G	1.00	1	1.03
TPLC120C20MP13C	XAF/XAF/XAUD60H	1.00	1.03	1.02
TPLC120C20MP13C	XAF/XAFC60H	1.01	1.01	0.98
TPLC120C20MP13C	XAH/XAHC60G	1.02	1.04	1
TPLC120C20MP13C	XAH/XAHC60H	1.02	1.06	0.99
TPLC120C20MP13C	XAH/XAHD60H	1.02	1.06	0.99
YP9C080B12MP13C	XAF/XAF/XAUC60G	1.00	0.97	1.06
YP9C080B12MP13C	XAF/XAFC60H	1.01	0.98	1.01
YP9C080B12MP13C	XAH/XAHC60G	1.02	1.01	1.03
YP9C080B12MP13C	XAH/XAHC60H	1.02	1.02	1.02
YP9C080C16MP13C	XAF/XAF/XAUC60G	0.99	0.98	1.06
YP9C080C16MP13C	XAF/XAF/XAUD60G	0.98	0.98	1.06
YP9C080C16MP13C	XAF/XAF/XAUD60H	1.01	1	1.01
YP9C080C16MP13C	XAF/XAFC60H	1.01	1	1
YP9C080C16MP13C	XAH/XAHC60G	1.02	1.04	1.04
YP9C080C16MP13C	XAH/XAHC60H	1.01	1.02	1
YP9C080C16MP13C	XAH/XAHD60G	1.02	1.04	1.05
YP9C080C16MP13C	XAH/XAHD60H	1.02	1.02	1.01
YP9C100C16MP13C	XAF/XAF/XAUC60G	0.98	0.99	1.06
YP9C100C16MP13C	XAF/XAF/XAUD60G	0.99	1.01	1.06
YP9C100C16MP13C	XAF/XAF/XAUD60H	1.01	1	0.99
YP9C100C16MP13C	XAF/XAFC60H	1.01	1	0.98
YP9C100C16MP13C	XAH/XAHC60G	1.03	1.04	1.01
YP9C100C16MP13C	XAH/XAHC60H	1.02	1.04	0.99
YP9C100C16MP13C	XAH/XAHD60G	1.03	1.04	1.01
YP9C100C16MP13C	XAH/XAHD60H	1.02	1.04	1
YP9C100C20MP13C	XAF/XAF/XAUC60G	0.99	1	1.06
YP9C100C20MP13C	XAF/XAF/XAUD60G	0.99	1	1.05
YP9C100C20MP13C	XAF/XAF/XAUD60H	1.02	1	0.99

Table 57: Cool multiplier furnace - 4 ton

Furnace model	Indoor coil model	TC	SC	kW
YP9C100C20MP13C	XAF/XAFC60H	1.02	1	0.99
YP9C100C20MP13C	XAH/XAHC60G	1.02	1.02	1
YP9C100C20MP13C	XAH/XAHC60H	1.02	1.04	1
YP9C100C20MP13C	XAH/XAHD60G	1.02	1.06	1.04
YP9C100C20MP13C	XAH/XAHD60H	1.02	1.02	1
YP9C120D20MP13C	XAF/XAF/XAUD60G	0.99	1.01	1.03
YP9C120D20MP13C	XAF/XAF/XAUD60H	1.01	1.01	0.99
YP9C120D20MP13C	XAH/XAHD60G	1.03	1.04	1
YP9C120D20MP13C	XAH/XAHD60H	1.02	1.06	1
YPLC080C16MP13C	XAF/XAF/XAUC60G	1.00	1	1.05
YPLC080C16MP13C	XAF/XAF/XAUD60G	1.00	1	1.05
YPLC080C16MP13C	XAF/XAF/XAUD60H	1.02	1	1
YPLC080C16MP13C	XAF/XAFC60H	1.02	1	0.99
YPLC080C16MP13C	XAH/XAHC60G	1.03	1.02	1
YPLC080C16MP13C	XAH/XAHC60H	1.03	1.04	1
YPLC080C16MP13C	XAH/XAHD60G	1.03	1.02	1.01
YPLC080C16MP13C	XAH/XAHD60H	1.02	1.02	1
YPLC100C16MP13C	XAF/XAF/XAUC60G	1.00	1	1.05
YPLC100C16MP13C	XAF/XAF/XAUD60G	1.00	1	1.05
YPLC100C16MP13C	XAF/XAF/XAUD60H	1.02	1	1
YPLC100C16MP13C	XAF/XAFC60H	1.02	1	0.99
YPLC100C16MP13C	XAH/XAHC60G	1.03	1.02	1
YPLC100C16MP13C	XAH/XAHC60H	1.03	1.04	1
YPLC100C16MP13C	XAH/XAHD60G	1.03	1.02	1.01
YPLC100C16MP13C	XAH/XAHD60H	1.02	1.02	1
YPLC100C20MP13C	XAF/XAF/XAUC60G	1.00	1	1.03
YPLC100C20MP13C	XAF/XAF/XAUD60H	1.00	1.03	1.02
YPLC100C20MP13C	XAF/XAFC60H	1.01	1.01	0.98
YPLC100C20MP13C	XAH/XAHC60G	1.02	1.04	1
YPLC100C20MP13C	XAH/XAHC60H	1.02	1.06	0.99
YPLC100C20MP13C	XAH/XAHD60H	1.02	1.06	0.99
YPLC120C20MP13C	XAF/XAF/XAUC60G	1.00	1	1.03
YPLC120C20MP13C	XAF/XAF/XAUD60H	1.00	1.03	1.02
YPLC120C20MP13C	XAF/XAFC60H	1.01	1.01	0.98
YPLC120C20MP13C	XAH/XAHC60G	1.02	1.04	1
YPLC120C20MP13C	XAH/XAHC60H	1.02	1.06	0.99
YPLC120C20MP13C	XAH/XAHD60H	1.02	1.06	0.99

Heating performance data - 4 ton

Table 58: Heating performance data - 4 ton

Air temperature entering outdoor unit (°F)	Air temperature entering indoor unit (°F)	ID CFM								
		1500			1750			2000		
		MBH	COP	kW	MBH	COP	kW	MBH	COP	kW
60	60	53.60	4.34	3.63	54.60	4.54	3.53	55.60	4.75	3.43
	70	51.50	3.85	3.92	52.80	4.04	3.84	54.20	4.23	3.76
	80	49.90	3.38	4.32	51.50	3.59	4.21	53.10	3.79	4.11
47	60	47.00	3.99	3.45	47.80	4.14	3.39	48.50	4.29	3.32
	70	45.30	3.56	3.73	46.30	3.69	3.68	47.30	3.82	3.63
	80	44.10	3.12	4.13	45.40	3.28	4.05	46.70	3.44	3.97
40	60	43.50	3.79	3.36	44.10	3.91	3.31	44.70	4.02	3.26
	70	42.00	3.39	3.63	42.80	3.48	3.60	43.50	3.58	3.56
	80	40.90	2.97	4.03	42.10	3.11	3.97	43.20	3.25	3.90
30	60	38.40	3.49	3.22	38.80	3.56	3.20	39.30	3.63	3.17
	70	37.30	3.13	3.49	37.70	3.18	3.48	38.20	3.23	3.47
	80	36.50	2.75	3.89	37.40	2.85	3.84	38.30	2.96	3.80
17	60	31.80	3.05	3.05	32.00	3.07	3.05	32.20	3.09	3.05
	70	31.20	2.76	3.31	31.20	2.75	3.32	31.20	2.74	3.34
	80	30.60	2.43	3.70	31.30	2.49	3.68	31.90	2.55	3.67
10	60	28.20	2.80	2.96	28.30	2.79	2.97	28.40	2.78	2.99
	70	27.90	2.55	3.21	27.70	2.50	3.24	27.50	2.46	3.28
	80	27.50	2.24	3.60	28.00	2.28	3.60	28.40	2.32	3.59
0	60	23.10	2.40	2.82	23.00	2.36	2.86	22.90	2.32	2.90
	70	23.20	2.22	3.06	22.70	2.13	3.12	22.10	2.04	3.18
	80	23.00	1.95	3.45	23.20	1.96	3.47	23.50	1.97	3.49

Heating multipliers for determining the performance with other indoor sections

Heat multiplier air handler - 4 ton

Table 59: Heat multiplier air handler - 4 ton

Air handler model	Indoor coil model	MBH	COP	kW
—	XAH/XAHC60H	0.99	1.01	0.97
—	XAH/XAHD60H	0.99	1.01	0.97
JHETC48GBCS2N1	—	1.02	1.02	1.00
JHETC60HBCS2N1	—	1.10	1.25	0.89
JHETD48GBCS2N1	—	1.02	1.03	0.99
JHETD60HBCS2N1	—	0.95	1.03	0.92
JHVTC48GBCC2N1	—	1.02	1.04	0.98
JHVTC60HBCC2N1	—	0.96	1.02	0.94
JHVTD48GBCC2N1	—	1.03	1.05	0.98
JHVTD60HBCC2N1	—	0.95	1.04	0.91
JMET12CS2N1A	XAF/XAF/XAUC60G	1.03	1.03	0.99
JMET12CS2N1A	XAF/XAFC60H	0.95	1.02	0.93
JMET12CS2N1A	XAH/XAHC60G	0.98	1.02	0.97
JMET12CS2N1A	XAH/XAHC60H	0.96	1.06	0.91
JMET12CS4N1A	XAF/XAF/XAUC60G	1.03	1.03	0.99
JMET12CS4N1A	XAH/XAHC60G	0.99	1.01	0.97

Table 59: Heat multiplier air handler - 4 ton

Air handler model	Indoor coil model	MBH	COP	kW
JMET12CS4N1A	XAH/XAHC60H	0.97	1.06	0.92
JMET16CS2N1A	XAF/XAF/XAUC60G	1.03	1.02	1.01
JMET16CS2N1A	XAF/XAFC60H	0.96	1.03	0.93
JMET16CS2N1A	XAH/XAHC60H	0.97	1.07	0.91
JMET16CS4N1A	XAF/XAF/XAUC60G	1.02	1.03	1.00
JMET16CS4N1A	XAF/XAFC60H	0.95	1.02	0.93
JMET16CS4N1A	XAH/XAHC60G	0.99	1.00	0.99
JMET18DS2N1A	XAF/XAF/XAUD60H	0.95	1.02	0.93
JMET18DS2N1A	XAH/XAHD60G	0.99	1.01	0.98
JMET18DS2N1A	XAH/XAHD60H	0.97	1.06	0.92
JMET18DS4N1A	XAF/XAF/XAUD60G	1.02	1.02	1.00
JMET18DS4N1A	XAF/XAF/XAUD60H	0.96	1.02	0.94
JMET18DS4N1A	XAH/XAHD60G	0.99	1.01	0.98
JMET18DS4N1A	XAH/XAHD60H	0.97	1.05	0.92
JMVT16CC2N1A	XAF/XAF/XAUC60G	1.02	1.04	0.99
JMVT16CC2N1A	XAF/XAFC60H	0.95	1.02	0.93
JMVT16CC2N1A	XAH/XAHC60G	0.99	1.01	0.97
JMVT16CC2N1A	XAH/XAHC60H	0.96	1.06	0.91
JMVT17CC2N1A	XAF/XAF/XAUC60G	1.03	1.05	0.98
JMVT17CC2N1A	XAF/XAFC60H	0.95	1.02	0.93
JMVT17CC2N1A	XAH/XAHC60G	0.99	1.01	0.97
JMVT17CC2N1A	XAH/XAHC60H	0.96	1.06	0.91
JMVT20DC2N1A	XAF/XAF/XAUD60G	1.02	1.04	0.98
JMVT20DC2N1A	XAF/XAF/XAUD60H	0.95	1.03	0.92
JMVT20DC2N1A	XAH/XAHD60G	0.99	1.02	0.97
JMVT20DC2N1A	XAH/XAHD60H	0.97	1.06	0.91

Heat multiplier furnace - 4 ton

Table 60: Heat multiplier furnace - 4 ton

Furnace model	Indoor coil model	MBH	COP	kW
TL8E080C16UH11	XAF/XAF/XAUC60G	1.04	1.00	1.04
TL8E080C16UH11	XAF/XAF/XAUD60G	1.04	1.00	1.04
TL8E080C16UH11	XAF/XAF/XAUD60H	0.97	1.02	0.95
TL8E080C16UH11	XAF/XAFC60H	0.97	1.02	0.95
TL8E080C16UH11	XAH/XAHC60G	1.00	1.00	1.00
TL8E080C16UH11	XAH/XAHC60H	0.98	1.06	0.92
TL8E080C16UH11	XAH/XAHD60G	1.00	1.00	1.00
TL8E080C16UH11	XAH/XAHD60H	0.98	1.05	0.93
TL8E100C20UH11	XAF/XAF/XAUC60G	1.03	1.01	1.01

Table 60: Heat multiplier furnace - 4 ton

Furnace model	Indoor coil model	MBH	COP	kW
TL8E100C20UH11	XAF/XAF/XAUD60G	1.03	1.01	1.01
TL8E100C20UH11	XAF/XAF/XAUD60H	0.96	1.02	0.94
TL8E100C20UH11	XAF/XAFC60H	0.96	1.02	0.94
TL8E100C20UH11	XAH/XAHC60G	0.99	1.00	0.99
TL8E100C20UH11	XAH/XAHD60G	1.00	0.99	1.00
TL8E100C20UH11	XAH/XAHD60H	0.97	1.05	0.92
TL9E060B12UH11	XAH/XAHC60H	0.99	1.03	0.97
TL9E080C16UH11	XAF/XAF/XAUC60G	1.04	0.98	1.05
TL9E080C16UH11	XAF/XAF/XAUD60G	1.04	0.98	1.05
TL9E080C16UH11	XAF/XAF/XAUD60H	0.97	1.01	0.96
TL9E080C16UH11	XAF/XAFC60H	0.97	1.01	0.96
TL9E080C16UH11	XAH/XAHC60G	1.01	0.97	1.03
TL9E080C16UH11	XAH/XAHC60H	0.98	1.05	0.93
TL9E080C16UH11	XAH/XAHD60G	1.00	0.99	1.00
TL9E080C16UH11	XAH/XAHD60H	0.98	1.05	0.94
TL9E100C20UH11	XAF/XAF/XAUC60G	1.04	1.01	1.03
TL9E100C20UH11	XAF/XAF/XAUD60G	1.03	1.01	1.02
TL9E100C20UH11	XAF/XAF/XAUD60H	0.97	1.01	0.95
TL9E100C20UH11	XAF/XAFC60H	0.96	1.01	0.94
TL9E100C20UH11	XAH/XAHC60G	0.99	1.01	0.98
TL9E100C20UH11	XAH/XAHC60H	0.98	1.06	0.93
TL9E100C20UH11	XAH/XAHD60G	0.99	1.01	0.98
TL9E100C20UH11	XAH/XAHD60H	0.98	1.05	0.93
TM8E080B12MP11	XAF/XAF/XAUC60G	1.05	1.00	1.05
TM8E080B12MP11	XAH/XAHC60G	1.00	0.98	1.02
TM8E080B12MP11	XAH/XAHC60H	0.98	1.04	0.94
TM8E080C16MP11	XAF/XAF/XAUC60G	1.04	1.00	1.04
TM8E080C16MP11	XAF/XAF/XAUD60G	1.04	1.00	1.04
TM8E080C16MP11	XAF/XAF/XAUD60H	0.97	1.02	0.95
TM8E080C16MP11	XAF/XAFC60H	0.97	1.02	0.95
TM8E080C16MP11	XAH/XAHC60G	1.00	0.98	1.01
TM8E080C16MP11	XAH/XAHC60H	0.98	1.06	0.92
TM8E080C16MP11	XAH/XAHD60G	1.00	0.98	1.02
TM8E080C16MP11	XAH/XAHD60H	0.98	1.06	0.93
TM8E080C20MP11	XAF/XAF/XAUC60G	1.04	0.99	1.04
TM8E080C20MP11	XAF/XAF/XAUD60G	1.03	0.99	1.03
TM8E080C20MP11	XAF/XAF/XAUD60H	0.96	1.01	0.95
TM8E080C20MP11	XAF/XAFC60H	0.96	1.01	0.95
TM8E080C20MP11	XAH/XAHC60G	0.99	1.00	0.99

Table 60: Heat multiplier furnace - 4 ton

Furnace model	Indoor coil model	MBH	COP	kW
TM8E080C20MP11	XAH/XAHC60H	0.97	1.05	0.93
TM8E080C20MP11	XAH/XAHD60G	0.99	1.00	0.99
TM8E080C20MP11	XAH/XAHD60H	0.98	1.04	0.94
TM8E100B12MP11	XAF/XAFC60H	0.97	1.01	0.96
TM8E100B12MP11	XAH/XAHC60H	0.98	1.04	0.94
TM8E100C16MP11	XAF/XAF/XAUC60G	1.04	1.00	1.04
TM8E100C16MP11	XAF/XAF/XAUD60G	1.04	1.00	1.04
TM8E100C16MP11	XAF/XAF/XAUD60H	0.97	1.02	0.95
TM8E100C16MP11	XAF/XAFC60H	0.97	1.02	0.95
TM8E100C16MP11	XAH/XAHC60G	1.00	0.98	1.01
TM8E100C16MP11	XAH/XAHC60H	0.98	1.05	0.92
TM8E100C16MP11	XAH/XAHD60G	1.00	0.98	1.02
TM8E100C16MP11	XAH/XAHD60H	0.98	1.05	0.93
TM8E100C20MP11	XAF/XAF/XAUC60G	1.04	0.99	1.04
TM8E100C20MP11	XAF/XAF/XAUD60G	1.04	0.99	1.04
TM8E100C20MP11	XAF/XAF/XAUD60H	0.96	1.01	0.95
TM8E100C20MP11	XAF/XAFC60H	0.96	1.01	0.95
TM8E100C20MP11	XAH/XAHC60G	0.99	1.00	0.99
TM8E100C20MP11	XAH/XAHC60H	0.97	1.05	0.92
TM8E100C20MP11	XAH/XAHD60G	0.99	1.00	0.99
TM8E100C20MP11	XAH/XAHD60H	0.97	1.05	0.93
TM8E120C16MP11	XAF/XAF/XAUC60G	1.04	1.00	1.04
TM8E120C16MP11	XAF/XAF/XAUD60G	1.04	1.00	1.04
TM8E120C16MP11	XAF/XAF/XAUD60H	0.97	1.02	0.95
TM8E120C16MP11	XAF/XAFC60H	0.96	1.02	0.94
TM8E120C16MP11	XAH/XAHC60H	0.98	1.05	0.92
TM8E120C16MP11	XAH/XAHD60G	1.00	0.99	1.01
TM8E120C16MP11	XAH/XAHD60H	0.98	1.05	0.93
TM8E120C20MP11	XAF/XAF/XAUC60G	1.03	0.99	1.03
TM8E120C20MP11	XAF/XAF/XAUD60G	1.04	1.00	1.04
TM8E120C20MP11	XAF/XAF/XAUD60H	0.96	1.01	0.95
TM8E120C20MP11	XAF/XAFC60H	0.96	1.01	0.95
TM8E120C20MP11	XAH/XAHC60H	0.97	1.05	0.92
TM8E120C20MP11	XAH/XAHD60G	0.99	1.00	0.99
TM8E120C20MP11	XAH/XAHD60H	0.97	1.05	0.93
TM8E130D20MP11	XAF/XAF/XAUD60G	1.03	0.99	1.04
TM8E130D20MP11	XAF/XAF/XAUD60H	0.96	1.00	0.96
TM8E130D20MP11	XAH/XAHD60G	1.00	0.99	1.00
TM8E130D20MP11	XAH/XAHD60H	0.97	1.04	0.94

Table 60: Heat multiplier furnace - 4 ton

Furnace model	Indoor coil model	MBH	COP	kW
TM8V080C16MP12C	XAF/XAF/XAUC60G	1.04	1.00	1.04
TM8V080C16MP12C	XAF/XAF/XAUD60G	1.03	1.00	1.03
TM8V080C16MP12C	XAF/XAF/XAUD60H	0.97	1.01	0.95
TM8V080C16MP12C	XAF/XAFC60H	0.97	1.02	0.95
TM8V080C16MP12C	XAH/XAHC60G	1.00	1.00	1.00
TM8V080C16MP12C	XAH/XAHC60H	0.98	1.06	0.92
TM8V080C16MP12C	XAH/XAHD60G	0.99	1.00	0.99
TM8V080C16MP12C	XAH/XAHD60H	0.98	1.05	0.93
TM8V100C16MP12C	XAF/XAF/XAUC60G	1.04	1.00	1.04
TM8V100C16MP12C	XAF/XAF/XAUD60G	1.03	1.00	1.03
TM8V100C16MP12C	XAF/XAF/XAUD60H	0.97	1.01	0.95
TM8V100C16MP12C	XAF/XAFC60H	0.97	1.02	0.95
TM8V100C16MP12C	XAH/XAHC60G	1.00	1.00	1.00
TM8V100C16MP12C	XAH/XAHC60H	0.98	1.06	0.92
TM8V100C16MP12C	XAH/XAHD60G	0.99	1.00	0.99
TM8V100C16MP12C	XAH/XAHD60H	0.98	1.05	0.93
TM8V100C20MP12C	XAF/XAF/XAUC60G	1.03	1.01	1.02
TM8V100C20MP12C	XAF/XAF/XAUD60G	1.03	0.99	1.04
TM8V100C20MP12C	XAF/XAF/XAUD60H	0.96	0.99	0.98
TM8V100C20MP12C	XAF/XAFC60H	0.96	1.02	0.94
TM8V100C20MP12C	XAH/XAHC60G	0.99	1.00	0.99
TM8V100C20MP12C	XAH/XAHC60H	0.97	1.05	0.92
TM8V100C20MP12C	XAH/XAHD60G	1.00	0.97	1.02
TM8V100C20MP12C	XAH/XAHD60H	0.98	1.06	0.93
TM8V120C20MP12C	XAF/XAF/XAUC60G	1.03	1.01	1.02
TM8V120C20MP12C	XAF/XAF/XAUD60H	0.96	0.99	0.98
TM8V120C20MP12C	XAF/XAFC60H	0.96	1.02	0.93
TM8V120C20MP12C	XAH/XAHC60G	0.99	1.00	0.99
TM8V120C20MP12C	XAH/XAHC60H	0.98	1.05	0.93
TM8V120C20MP12C	XAH/XAHD60H	0.98	1.06	0.93
TM8Y080B12MP11	XAH/XAHC60H	0.98	1.05	0.94
TM8Y080C16MP11	XAF/XAF/XAUC60G	1.03	1.00	1.03
TM8Y080C16MP11	XAF/XAF/XAUD60G	1.03	1.00	1.03
TM8Y080C16MP11	XAF/XAF/XAUD60H	0.96	1.01	0.95
TM8Y080C16MP11	XAF/XAFC60H	0.96	1.01	0.95
TM8Y080C16MP11	XAH/XAHC60G	0.99	1.01	0.98
TM8Y080C16MP11	XAH/XAHC60H	0.97	1.05	0.92
TM8Y080C16MP11	XAH/XAHD60G	0.99	1.00	0.99
TM8Y080C16MP11	XAH/XAHD60H	0.97	1.05	0.93

Table 60: Heat multiplier furnace - 4 ton

Furnace model	Indoor coil model	MBH	COP	kW
TM8Y100C16MP11	XAF/XAF/XAUC60G	1.03	1.00	1.03
TM8Y100C16MP11	XAF/XAF/XAUD60G	1.03	1.00	1.03
TM8Y100C16MP11	XAF/XAF/XAUD60H	0.96	1.01	0.95
TM8Y100C16MP11	XAF/XAFC60H	0.96	1.01	0.95
TM8Y100C16MP11	XAH/XAHC60G	0.99	1.01	0.98
TM8Y100C16MP11	XAH/XAHC60H	0.97	1.05	0.92
TM8Y100C16MP11	XAH/XAHD60H	0.97	1.05	0.93
TM8Y100C20MP11	XAF/XAF/XAUC60G	1.03	0.98	1.05
TM8Y100C20MP11	XAF/XAF/XAUD60G	1.03	0.98	1.04
TM8Y100C20MP11	XAF/XAF/XAUD60H	0.96	1.02	0.94
TM8Y100C20MP11	XAF/XAFC60H	0.96	1.02	0.94
TM8Y100C20MP11	XAH/XAHC60G	0.99	1.00	0.99
TM8Y100C20MP11	XAH/XAHC60H	0.97	1.06	0.92
TM8Y100C20MP11	XAH/XAHD60G	0.99	1.00	0.99
TM8Y100C20MP11	XAH/XAHD60H	0.97	1.05	0.92
TM8Y120C20MP11	XAF/XAF/XAUC60G	1.03	0.98	1.05
TM8Y120C20MP11	XAF/XAF/XAUD60G	1.03	0.98	1.04
TM8Y120C20MP11	XAF/XAF/XAUD60H	0.96	1.02	0.94
TM8Y120C20MP11	XAF/XAFC60H	0.96	1.02	0.94
TM8Y120C20MP11	XAH/XAHC60G	0.99	1.00	0.99
TM8Y120C20MP11	XAH/XAHC60H	0.97	1.06	0.92
TM8Y120C20MP11	XAH/XAHD60G	0.99	1.00	0.99
TM8Y120C20MP11	XAH/XAHD60H	0.97	1.05	0.92
TM9E060B12MP12	XAH/XAHC60H	0.99	1.03	0.97
TM9E080B12MP12	XAF/XAF/XAUC60G	1.05	1.00	1.04
TM9E080B12MP12	XAF/XAFC60H	0.97	0.99	0.98
TM9E080B12MP12	XAH/XAHC60G	1.00	0.99	1.01
TM9E080B12MP12	XAH/XAHC60H	0.98	1.04	0.94
TM9E080C16MP12	XAF/XAF/XAUC60G	1.04	0.99	1.05
TM9E080C16MP12	XAF/XAF/XAUD60G	1.04	0.99	1.05
TM9E080C16MP12	XAF/XAF/XAUD60H	0.97	1.01	0.96
TM9E080C16MP12	XAF/XAFC60H	0.97	1.01	0.96
TM9E080C16MP12	XAH/XAHC60G	1.00	0.98	1.02
TM9E080C16MP12	XAH/XAHC60H	0.98	1.05	0.93
TM9E080C16MP12	XAH/XAHD60G	1.00	0.98	1.02
TM9E080C16MP12	XAH/XAHD60H	0.98	1.04	0.94
TM9E080C20MP12	XAF/XAF/XAUC60G	1.04	0.99	1.04
TM9E080C20MP12	XAF/XAF/XAUD60G	1.04	1.00	1.04
TM9E080C20MP12	XAF/XAF/XAUD60H	0.96	1.01	0.94

Table 60: Heat multiplier furnace - 4 ton

Furnace model	Indoor coil model	MBH	COP	kW
TM9E080C20MP12	XAF/XAFC60H	0.96	1.01	0.95
TM9E080C20MP12	XAH/XAHC60G	0.99	1.00	0.99
TM9E080C20MP12	XAH/XAHC60H	0.97	1.05	0.92
TM9E080C20MP12	XAH/XAHD60G	0.99	1.00	0.99
TM9E080C20MP12	XAH/XAHD60H	0.97	1.05	0.92
TM9E100C16MP12	XAF/XAF/XAUC60G	1.04	0.99	1.05
TM9E100C16MP12	XAF/XAF/XAUD60G	1.04	0.99	1.04
TM9E100C16MP12	XAF/XAF/XAUD60H	0.97	1.01	0.96
TM9E100C16MP12	XAF/XAFC60H	0.97	1.02	0.95
TM9E100C16MP12	XAH/XAHC60G	1.00	0.98	1.03
TM9E100C16MP12	XAH/XAHC60H	0.98	1.05	0.93
TM9E100C16MP12	XAH/XAHD60G	1.01	0.97	1.03
TM9E100C16MP12	XAH/XAHD60H	0.98	1.05	0.93
TM9E100C20MP12	XAF/XAF/XAUC60G	1.03	0.99	1.04
TM9E100C20MP12	XAF/XAF/XAUD60G	1.03	1.00	1.03
TM9E100C20MP12	XAF/XAF/XAUD60H	0.96	1.02	0.94
TM9E100C20MP12	XAF/XAFC60H	0.96	1.02	0.94
TM9E100C20MP12	XAH/XAHC60G	0.99	1.00	0.99
TM9E100C20MP12	XAH/XAHC60H	0.97	1.05	0.92
TM9E100C20MP12	XAH/XAHD60G	0.99	1.00	0.99
TM9E100C20MP12	XAH/XAHD60H	0.97	1.05	0.93
TM9E120D20MP12	XAF/XAF/XAUD60G	1.04	0.99	1.04
TM9E120D20MP12	XAF/XAF/XAUD60H	0.97	1.01	0.95
TM9E120D20MP12	XAH/XAHD60G	1.00	0.99	1.01
TM9E120D20MP12	XAH/XAHD60H	0.98	1.01	0.96
TM9V080B12MP12C	XAF/XAF/XAUC60G	1.04	1.00	1.04
TM9V080B12MP12C	XAF/XAFC60H	0.97	1.00	0.97
TM9V080B12MP12C	XAH/XAHC60G	1.00	0.98	1.02
TM9V080B12MP12C	XAH/XAHC60H	0.98	1.04	0.94
TM9V080C16MP12C	XAF/XAF/XAUC60G	1.04	0.99	1.05
TM9V080C16MP12C	XAF/XAF/XAUD60G	1.05	0.98	1.06
TM9V080C16MP12C	XAF/XAF/XAUD60H	0.96	1.00	0.96
TM9V080C16MP12C	XAF/XAFC60H	0.96	1.01	0.95
TM9V080C16MP12C	XAH/XAHC60G	1.01	0.97	1.03
TM9V080C16MP12C	XAH/XAHC60H	0.98	1.05	0.93
TM9V080C16MP12C	XAH/XAHD60G	1.01	0.97	1.03
TM9V080C16MP12C	XAH/XAHD60H	0.98	1.05	0.94
TM9V100C16MP12C	XAF/XAF/XAUC60G	1.04	0.99	1.05
TM9V100C16MP12C	XAF/XAF/XAUD60G	1.04	0.99	1.05

Table 60: Heat multiplier furnace - 4 ton

Furnace model	Indoor coil model	MBH	COP	kW
TM9V100C16MP12C	XAF/XAF/XAUD60H	0.96	1.02	0.94
TM9V100C16MP12C	XAF/XAFC60H	0.96	1.02	0.94
TM9V100C16MP12C	XAH/XAHC60G	0.99	1.00	0.99
TM9V100C16MP12C	XAH/XAHC60H	0.97	1.06	0.92
TM9V100C16MP12C	XAH/XAHD60G	1.00	1.00	0.99
TM9V100C16MP12C	XAH/XAHD60H	0.97	1.05	0.93
TM9V100C20MP12C	XAF/XAF/XAUC60G	1.04	0.99	1.05
TM9V100C20MP12C	XAF/XAF/XAUD60G	1.04	0.99	1.05
TM9V100C20MP12C	XAF/XAF/XAUD60H	0.97	1.02	0.95
TM9V100C20MP12C	XAF/XAFC60H	0.97	1.02	0.95
TM9V100C20MP12C	XAH/XAHC60G	1.00	1.00	1.00
TM9V100C20MP12C	XAH/XAHC60H	0.97	1.05	0.92
TM9V100C20MP12C	XAH/XAHD60G	1.01	0.97	1.03
TM9V100C20MP12C	XAH/XAHD60H	0.98	1.05	0.93
TM9V120D20MP12C	XAF/XAF/XAUD60G	1.03	1.01	1.01
TM9V120D20MP12C	XAF/XAF/XAUD60H	0.97	1.02	0.95
TM9V120D20MP12C	XAH/XAHD60G	0.99	1.00	0.99
TM9V120D20MP12C	XAH/XAHD60H	0.98	1.06	0.93
TM9Y080B12MP11	XAF/XAF/XAUC60G	1.05	1.00	1.05
TM9Y080B12MP11	XAH/XAHC60G	1.00	0.98	1.02
TM9Y080B12MP11	XAH/XAHC60H	0.98	1.02	0.96
TM9Y080C16MP11	XAF/XAF/XAUC60G	1.04	1.00	1.04
TM9Y080C16MP11	XAF/XAF/XAUD60G	1.04	1.00	1.04
TM9Y080C16MP11	XAF/XAF/XAUD60H	0.97	1.01	0.96
TM9Y080C16MP11	XAF/XAFC60H	0.97	1.01	0.96
TM9Y080C16MP11	XAH/XAHC60G	1.00	0.99	1.01
TM9Y080C16MP11	XAH/XAHC60H	0.98	1.04	0.94
TM9Y080C16MP11	XAH/XAHD60G	1.00	0.99	1.01
TM9Y080C16MP11	XAH/XAHD60H	0.98	1.04	0.94
TM9Y100C16MP11	XAF/XAF/XAUD60G	1.04	1.01	1.03
TM9Y100C16MP11	XAF/XAF/XAUD60H	0.97	1.01	0.96
TM9Y100C16MP11	XAF/XAFC60H	0.97	1.01	0.96
TM9Y100C16MP11	XAH/XAHC60G	1.00	0.99	1.00
TM9Y100C16MP11	XAH/XAHC60H	0.98	1.05	0.93
TM9Y100C16MP11	XAH/XAHD60G	1.00	0.99	1.01
TM9Y100C16MP11	XAH/XAHD60H	0.98	1.04	0.94
TM9Y100C20MP11	XAF/XAF/XAUC60G	1.04	0.98	1.06
TM9Y100C20MP11	XAF/XAF/XAUD60G	1.04	0.98	1.06
TM9Y100C20MP11	XAF/XAF/XAUD60H	0.97	0.99	0.97

Table 60: Heat multiplier furnace - 4 ton

Furnace model	Indoor coil model	MBH	COP	kW
TM9Y100C20MP11	XAF/XAFC60H	0.97	1.00	0.97
TM9Y100C20MP11	XAH/XAHC60G	1.00	0.99	1.01
TM9Y100C20MP11	XAH/XAHC60H	0.98	1.03	0.95
TM9Y100C20MP11	XAH/XAHD60G	1.00	0.96	1.04
TM9Y100C20MP11	XAH/XAHD60H	0.98	1.03	0.95
TM9Y120D20MP11	XAF/XAF/XAUD60G	1.04	0.97	1.07
TM9Y120D20MP11	XAF/XAF/XAUD60H	0.96	1.02	0.94
TM9Y120D20MP11	XAH/XAHD60G	0.99	1.00	0.99
TM9Y120D20MP11	XAH/XAHD60H	0.97	1.05	0.92
TMLE080B12MP11	XAF/XAF/XAUC60G	1.05	1.00	1.05
TMLE080B12MP11	XAF/XAFC60H	0.97	0.99	0.98
TMLE080B12MP11	XAH/XAHC60G	1.00	0.98	1.02
TMLE080B12MP11	XAH/XAHC60H	0.98	1.04	0.94
TMLE080C16MP11	XAF/XAF/XAUC60G	1.04	1.00	1.04
TMLE080C16MP11	XAF/XAF/XAUD60G	1.04	1.00	1.04
TMLE080C16MP11	XAF/XAF/XAUD60H	0.97	1.02	0.95
TMLE080C16MP11	XAF/XAFC60H	0.97	1.02	0.95
TMLE080C16MP11	XAH/XAHC60G	1.00	0.98	1.01
TMLE080C16MP11	XAH/XAHC60H	0.98	1.06	0.92
TMLE080C16MP11	XAH/XAHD60G	1.00	0.98	1.02
TMLE080C16MP11	XAH/XAHD60H	0.98	1.06	0.93
TMLE080C20MP11	XAF/XAF/XAUC60G	1.04	0.99	1.04
TMLE080C20MP11	XAF/XAF/XAUD60G	1.03	0.99	1.03
TMLE080C20MP11	XAF/XAF/XAUD60H	0.96	1.01	0.95
TMLE080C20MP11	XAF/XAFC60H	0.96	1.01	0.95
TMLE080C20MP11	XAH/XAHC60G	0.99	1.00	0.99
TMLE080C20MP11	XAH/XAHC60H	0.97	1.05	0.93
TMLE080C20MP11	XAH/XAHD60G	0.99	1.00	0.99
TMLE080C20MP11	XAH/XAHD60H	0.98	1.04	0.94
TMLE100B12MP11	XAF/XAFC60H	0.97	1.01	0.96
TMLE100B12MP11	XAH/XAHC60H	0.98	1.04	0.94
TMLE100C16MP11	XAF/XAF/XAUC60G	1.04	1.00	1.04
TMLE100C16MP11	XAF/XAF/XAUD60G	1.04	1.00	1.04
TMLE100C16MP11	XAF/XAF/XAUD60H	0.97	1.02	0.95
TMLE100C16MP11	XAH/XAHC60G	1.00	0.98	1.01
TMLE100C16MP11	XAH/XAHC60H	0.98	1.05	0.92
TMLE100C16MP11	XAH/XAHD60G	1.00	0.98	1.02
TMLE100C16MP11	XAH/XAHD60H	0.98	1.05	0.93
TMLE100C20MP11	XAF/XAF/XAUC60G	1.04	0.99	1.04

Table 60: Heat multiplier furnace - 4 ton

Furnace model	Indoor coil model	MBH	COP	kW
TMLE100C20MP11	XAF/XAF/XAUD60G	1.04	0.99	1.04
TMLE100C20MP11	XAF/XAF/XAUD60H	0.96	1.01	0.95
TMLE100C20MP11	XAF/XAFC60H	0.96	1.01	0.95
TMLE100C20MP11	XAH/XAHC60G	0.99	1.00	0.99
TMLE100C20MP11	XAH/XAHC60H	0.97	1.05	0.92
TMLE100C20MP11	XAH/XAHD60G	0.99	1.00	0.99
TMLE100C20MP11	XAH/XAHD60H	0.97	1.05	0.93
TMLE120C16MP11	XAF/XAF/XAUC60G	1.04	1.00	1.04
TMLE120C16MP11	XAF/XAF/XAUD60G	1.04	1.00	1.04
TMLE120C16MP11	XAF/XAF/XAUD60H	0.97	1.02	0.95
TMLE120C16MP11	XAF/XAFC60H	0.96	1.02	0.94
TMLE120C16MP11	XAH/XAHC60G	1.00	0.99	1.01
TMLE120C16MP11	XAH/XAHC60H	0.98	1.05	0.92
TMLE120C16MP11	XAH/XAHD60G	1.00	0.99	1.01
TMLE120C16MP11	XAH/XAHD60H	0.98	1.05	0.93
TMLE120C20MP11	XAF/XAF/XAUC60G	1.03	0.99	1.03
TMLE120C20MP11	XAF/XAF/XAUD60G	1.04	1.00	1.04
TMLE120C20MP11	XAF/XAF/XAUD60H	0.96	1.01	0.95
TMLE120C20MP11	XAF/XAFC60H	0.96	1.01	0.95
TMLE120C20MP11	XAH/XAHC60H	0.97	1.05	0.92
TMLE120C20MP11	XAH/XAHD60G	0.99	1.00	0.99
TMLE120C20MP11	XAH/XAHD60H	0.97	1.05	0.93
TMLE130D20MP11	XAF/XAF/XAUD60G	1.03	0.99	1.04
TMLE130D20MP11	XAF/XAF/XAUD60H	0.96	1.00	0.96
TMLE130D20MP11	XAH/XAHD60G	1.00	0.99	1.00
TMLE130D20MP11	XAH/XAHD60H	0.97	1.04	0.94
TMLV100C16MP12C	XAF/XAF/XAUC60G	1.04	1.00	1.04
TMLV100C16MP12C	XAF/XAF/XAUD60G	1.03	1.00	1.03
TMLV100C16MP12C	XAF/XAF/XAUD60H	0.97	1.01	0.95
TMLV100C16MP12C	XAF/XAFC60H	0.97	1.02	0.95
TMLV100C16MP12C	XAH/XAHC60H	0.98	1.06	0.92
TMLV100C16MP12C	XAH/XAHD60G	0.99	1.00	0.99
TMLV100C16MP12C	XAH/XAHD60H	0.98	1.05	0.93
TMLV120C20MP12C	XAF/XAF/XAUC60G	1.03	1.01	1.02
TMLV120C20MP12C	XAF/XAF/XAUD60H	0.96	0.99	0.98
TMLV120C20MP12C	XAF/XAFC60H	0.96	1.02	0.93
TMLV120C20MP12C	XAH/XAHC60G	0.99	1.00	0.99
TMLV120C20MP12C	XAH/XAHC60H	0.98	1.05	0.93
TMLV120C20MP12C	XAH/XAHD60H	0.98	1.06	0.93

Table 60: Heat multiplier furnace - 4 ton

Furnace model	Indoor coil model	MBH	COP	kW
TP9C080B12MP13C	XAF/XAF/XAUC60G	1.04	1.00	1.04
TP9C080B12MP13C	XAF/XAFC60H	0.97	1.00	0.97
TP9C080B12MP13C	XAH/XAHC60G	1.00	0.98	1.02
TP9C080B12MP13C	XAH/XAHC60H	0.98	1.04	0.94
TP9C080C16MP13C	XAF/XAF/XAUC60G	1.04	0.99	1.05
TP9C080C16MP13C	XAF/XAF/XAUD60G	1.05	0.98	1.06
TP9C080C16MP13C	XAF/XAF/XAUD60H	0.96	1.00	0.96
TP9C080C16MP13C	XAF/XAFC60H	0.96	1.01	0.95
TP9C080C16MP13C	XAH/XAHC60G	1.01	0.97	1.03
TP9C080C16MP13C	XAH/XAHC60H	0.98	1.05	0.93
TP9C080C16MP13C	XAH/XAHD60G	1.01	0.97	1.03
TP9C080C16MP13C	XAH/XAHD60H	0.98	1.05	0.94
TP9C100C16MP13C	XAF/XAF/XAUC60G	1.04	0.99	1.05
TP9C100C16MP13C	XAF/XAF/XAUD60G	1.04	0.99	1.05
TP9C100C16MP13C	XAF/XAF/XAUD60H	0.96	1.02	0.94
TP9C100C16MP13C	XAF/XAFC60H	0.96	1.02	0.94
TP9C100C16MP13C	XAH/XAHC60G	0.99	1.00	0.99
TP9C100C16MP13C	XAH/XAHC60H	0.97	1.06	0.92
TP9C100C16MP13C	XAH/XAHD60G	1.00	1.00	0.99
TP9C100C16MP13C	XAH/XAHD60H	0.97	1.05	0.93
TP9C100C20MP13C	XAF/XAF/XAUC60G	1.04	0.99	1.05
TP9C100C20MP13C	XAF/XAF/XAUD60G	1.04	0.99	1.05
TP9C100C20MP13C	XAF/XAF/XAUD60H	0.97	1.02	0.95
TP9C100C20MP13C	XAF/XAFC60H	0.97	1.02	0.95
TP9C100C20MP13C	XAH/XAHC60G	1.00	1.00	1.00
TP9C100C20MP13C	XAH/XAHC60H	0.97	1.05	0.92
TP9C100C20MP13C	XAH/XAHD60G	1.01	0.97	1.03
TP9C100C20MP13C	XAH/XAHD60H	0.98	1.05	0.93
TP9C120D20MP13C	XAF/XAF/XAUD60G	1.03	1.01	1.01
TP9C120D20MP13C	XAF/XAF/XAUD60H	0.97	1.02	0.95
TP9C120D20MP13C	XAH/XAHD60G	0.99	1.00	0.99
TP9C120D20MP13C	XAH/XAHD60H	0.98	1.06	0.93
TPLC080C16MP13C	XAF/XAF/XAUC60G	1.04	1.00	1.04
TPLC080C16MP13C	XAF/XAF/XAUD60G	1.03	1.00	1.03
TPLC080C16MP13C	XAF/XAF/XAUD60H	0.97	1.01	0.95
TPLC080C16MP13C	XAF/XAFC60H	0.97	1.02	0.95
TPLC080C16MP13C	XAH/XAHC60H	0.98	1.06	0.92
TPLC080C16MP13C	XAH/XAHD60G	0.99	1.00	0.99
TPLC080C16MP13C	XAH/XAHD60H	0.98	1.05	0.93

Table 60: Heat multiplier furnace - 4 ton

Furnace model	Indoor coil model	MBH	COP	kW
TPLC100C16MP13C	XAF/XAF/XAUC60G	1.04	1.00	1.04
TPLC100C16MP13C	XAF/XAF/XAUD60G	1.03	1.00	1.03
TPLC100C16MP13C	XAF/XAF/XAUD60H	0.97	1.01	0.95
TPLC100C16MP13C	XAF/XAFC60H	0.97	1.02	0.95
TPLC100C16MP13C	XAH/XAHC60H	0.98	1.06	0.92
TPLC100C16MP13C	XAH/XAHD60G	0.99	1.00	0.99
TPLC100C16MP13C	XAH/XAHD60H	0.98	1.05	0.93
TPLC100C20MP13C	XAF/XAF/XAUC60G	1.03	1.01	1.02
TPLC100C20MP13C	XAF/XAF/XAUD60H	0.96	0.99	0.98
TPLC100C20MP13C	XAF/XAFC60H	0.96	1.02	0.93
TPLC100C20MP13C	XAH/XAHC60G	0.99	1.00	0.99
TPLC100C20MP13C	XAH/XAHC60H	0.98	1.05	0.93
TPLC100C20MP13C	XAH/XAHD60H	0.98	1.06	0.93
TPLC120C20MP13C	XAF/XAF/XAUC60G	1.03	1.01	1.02
TPLC120C20MP13C	XAF/XAF/XAUD60H	0.96	0.99	0.98
TPLC120C20MP13C	XAF/XAFC60H	0.96	1.02	0.93
TPLC120C20MP13C	XAH/XAHC60G	0.99	1.00	0.99
TPLC120C20MP13C	XAH/XAHC60H	0.98	1.05	0.93
TPLC120C20MP13C	XAH/XAHD60H	0.98	1.06	0.93
YP9C080B12MP13C	XAF/XAF/XAUC60G	1.04	1.00	1.04
YP9C080B12MP13C	XAF/XAFC60H	0.97	1.00	0.97
YP9C080B12MP13C	XAH/XAHC60G	1.00	0.98	1.02
YP9C080B12MP13C	XAH/XAHC60H	0.98	1.04	0.94
YP9C080C16MP13C	XAF/XAF/XAUC60G	1.04	0.99	1.05
YP9C080C16MP13C	XAF/XAF/XAUD60G	1.05	0.98	1.06
YP9C080C16MP13C	XAF/XAF/XAUD60H	0.96	1.00	0.96
YP9C080C16MP13C	XAF/XAFC60H	0.96	1.01	0.95
YP9C080C16MP13C	XAH/XAHC60H	0.98	1.05	0.93
YP9C080C16MP13C	XAH/XAHD60G	1.01	0.97	1.03
YP9C080C16MP13C	XAH/XAHD60H	0.98	1.05	0.94
YP9C100C16MP13C	XAF/XAF/XAUC60G	1.04	0.99	1.05
YP9C100C16MP13C	XAF/XAF/XAUD60G	1.04	0.99	1.05
YP9C100C16MP13C	XAF/XAF/XAUD60H	0.96	1.02	0.94
YP9C100C16MP13C	XAF/XAFC60H	0.96	1.02	0.94
YP9C100C16MP13C	XAH/XAHC60G	0.99	1.00	0.99
YP9C100C16MP13C	XAH/XAHC60H	0.97	1.06	0.92
YP9C100C16MP13C	XAH/XAHD60G	1.00	1.00	0.99
YP9C100C16MP13C	XAH/XAHD60H	0.97	1.05	0.93
YP9C100C20MP13C	XAF/XAF/XAUC60G	1.04	0.99	1.05

Table 60: Heat multiplier furnace - 4 ton

Furnace model	Indoor coil model	MBH	COP	kW
YP9C100C20MP13C	XAF/XAF/XAUD60G	1.04	0.99	1.05
YP9C100C20MP13C	XAF/XAF/XAUD60H	0.97	1.02	0.95
YP9C100C20MP13C	XAF/XAFC60H	0.97	1.02	0.95
YP9C100C20MP13C	XAH/XAHC60G	1.00	1.00	1.00
YP9C100C20MP13C	XAH/XAHC60H	0.97	1.05	0.92
YP9C100C20MP13C	XAH/XAHD60G	1.01	0.97	1.03
YP9C100C20MP13C	XAH/XAHD60H	0.98	1.05	0.93
YP9C120D20MP13C	XAF/XAF/XAUD60G	1.03	1.01	1.01
YP9C120D20MP13C	XAF/XAF/XAUD60H	0.97	1.02	0.95
YP9C120D20MP13C	XAH/XAHD60G	0.99	1.00	0.99
YP9C120D20MP13C	XAH/XAHD60H	0.98	1.06	0.93
YPLC080C16MP13C	XAF/XAF/XAUC60G	1.04	1.00	1.04
YPLC080C16MP13C	XAF/XAF/XAUD60G	1.03	1.00	1.03
YPLC080C16MP13C	XAF/XAF/XAUD60H	0.97	1.01	0.95
YPLC080C16MP13C	XAF/XAFC60H	0.97	1.02	0.95
YPLC080C16MP13C	XAH/XAHC60H	0.98	1.06	0.92
YPLC080C16MP13C	XAH/XAHD60G	0.99	1.00	0.99
YPLC080C16MP13C	XAH/XAHD60H	0.98	1.05	0.93
YPLC100C16MP13C	XAF/XAF/XAUC60G	1.04	1.00	1.04
YPLC100C16MP13C	XAF/XAF/XAUD60G	1.03	1.00	1.03
YPLC100C16MP13C	XAF/XAF/XAUD60H	0.97	1.01	0.95
YPLC100C16MP13C	XAF/XAFC60H	0.97	1.02	0.95
YPLC100C16MP13C	XAH/XAHC60H	0.98	1.06	0.92
YPLC100C16MP13C	XAH/XAHD60G	0.99	1.00	0.99
YPLC100C16MP13C	XAH/XAHD60H	0.98	1.05	0.93
YPLC100C20MP13C	XAF/XAF/XAUC60G	1.03	1.01	1.02
YPLC100C20MP13C	XAF/XAF/XAUD60H	0.96	0.99	0.98
YPLC100C20MP13C	XAF/XAFC60H	0.96	1.02	0.93
YPLC100C20MP13C	XAH/XAHC60G	0.99	1.00	0.99
YPLC100C20MP13C	XAH/XAHC60H	0.98	1.05	0.93
YPLC100C20MP13C	XAH/XAHD60H	0.98	1.06	0.93
YPLC120C20MP13C	XAF/XAF/XAUC60G	1.03	1.01	1.02
YPLC120C20MP13C	XAF/XAF/XAUD60H	0.96	0.99	0.98
YPLC120C20MP13C	XAF/XAFC60H	0.96	1.02	0.93
YPLC120C20MP13C	XAH/XAHC60G	0.99	1.00	0.99
YPLC120C20MP13C	XAH/XAHC60H	0.98	1.05	0.93
YPLC120C20MP13C	XAH/XAHD60H	0.98	1.06	0.93

Performance data 5 ton

Condenser only performance data - 5 ton

Table 61: Condenser only performance data - 5 ton

Saturated suction at compressor		Outdoor temperature															
Temperature	Pressure	55°F		65°F		75°F		85°F		95°F		105°F		115°F		125°F	
(°F)	(psig)	MBH	kW	MBH	kW	MBH	kW	MBH	kW	MBH	kW	MBH	kW	MBH	kW	MBH	kW
35	107	58.9	2.74	55.8	3.03	52.7	3.35	49.6	3.71	46.4	4.12	42.9	4.60	39.1	5.16	34.9	5.81
40	118	64.8	2.81	61.4	3.09	58.2	3.40	54.8	3.75	51.3	4.15	47.6	4.62	43.5	5.17	39.1	5.81
45	130	71.1	2.88	67.5	3.16	64.0	3.46	60.3	3.80	56.6	4.20	52.6	4.66	48.3	5.20	43.6	5.82
50	143	77.8	2.97	73.9	3.23	70.1	3.53	66.2	3.87	62.2	4.26	57.9	4.71	53.3	5.24	48.3	5.85
55	156	83.7	3.00	80.8	3.32	76.7	3.61	72.4	3.94	68.1	4.32	63.5	4.77	58.5	5.29	53.3	5.89
60	170	91.0	3.17	88.1	3.41	83.6	3.70	79.1	4.02	74.3	4.40	69.3	4.85	64.1	5.36	58.5	5.95

Condenser only data table notes

Note:

- For Outdoor Unit (Condenser) performance only. Data does not include the effects of air handler power or heat.
- Performance based on 15°F subcooling and 15°F superheat at the Outdoor Unit base valves.
 - Increase capacity by 1% for each 2°F increase in subcooling.
 - Decrease capacity by 1% for each 2°F decrease in subcooling.
- Maximum recommended condensing temperature is 140°F.

Cooling performance data - 5 ton

Table 62: Cooling performance data - 5 ton

Air temperature entering outdoor unit (°F)	Indoor CFM	1500						1750						2000					
		ID DB (°F)		75		80		80		75		80		80		75		80	
		80	80	80	80	80	80	80	80	80	80	80	80	80	80	80	80	80	
55	TC	53.9	57.2	57.5	60.3	61.5	55.9	58.5	58.7	60.7	61.5	58.0	59.8	59.9	61.1	61.5			
	SC	50.1	44.9	37.9	38.1	27.9	52.5	47.7	40.0	38.4	28.4	54.9	50.4	42.1	38.8	28.8			
	kW	3.25	3.31	3.32	3.34	3.34	3.37	3.42	3.43	3.44	3.44	3.49	3.53	3.53	3.54	3.53			
65	TC	52.8	54.5	55.4	59.2	62.7	54.9	55.8	56.6	60.0	62.9	57.0	57.1	57.8	60.8	63.0			
	SC	47.8	43.9	36.8	36.8	27.6	50.6	47.1	39.2	38.3	28.9	53.3	50.3	41.6	39.8	30.2			
	kW	3.54	3.59	3.60	3.64	3.68	3.65	3.70	3.71	3.74	3.78	3.77	3.81	3.82	3.85	3.88			
75	TC	51.8	51.8	53.4	58.0	63.9	53.9	53.1	54.6	59.3	64.3	56.0	54.5	55.8	60.5	64.6			
	SC	45.5	42.9	35.7	35.5	27.2	48.6	46.5	38.4	38.1	29.4	51.7	50.2	41.1	40.8	31.6			
	kW	3.82	3.87	3.88	3.94	4.02	3.94	3.98	3.99	4.05	4.12	4.06	4.09	4.10	4.16	4.22			
85	TC	49.5	49.7	50.5	55.5	62.3	51.8	51.0	51.6	56.6	62.7	54.0	52.3	52.7	57.6	63.2			
	SC	44.4	42.8	35.1	36.0	27.1	47.1	46.6	38.1	39.2	29.3	49.8	50.4	41.1	42.4	31.6			
	kW	4.21	4.23	4.24	4.30	4.37	4.33	4.34	4.35	4.41	4.48	4.44	4.45	4.46	4.51	4.58			
95	TC	47.3	47.6	47.7	52.9	60.6	49.6	48.8	48.6	53.9	61.2	52.0	50.0	49.6	54.8	61.8			
	SC	43.3	42.7	34.4	36.6	26.9	45.6	46.7	37.7	40.3	29.2	47.8	50.0	41.0	44.1	31.5			
	kW	4.61	4.59	4.60	4.66	4.73	4.72	4.70	4.71	4.76	4.84	4.83	4.81	4.82	4.87	4.95			
105	TC	45.7	46.3	46.2	51.4	58.5	47.8	47.4	47.1	52.2	59.1	50.0	48.5	48.0	53.0	59.7			
	SC	41.4	40.8	33.1	34.9	25.7	43.6	44.7	36.2	38.4	27.7	45.9	48.5	39.4	41.8	29.6			
	kW	5.01	5.00	5.01	5.06	5.15	5.12	5.11	5.12	5.17	5.25	5.23	5.22	5.23	5.28	5.36			
115	TC	44.1	45.0	44.7	49.9	56.5	46.0	45.9	45.6	50.6	57.1	48.0	46.9	46.5	51.3	57.7			
	SC	39.5	39.0	31.8	33.2	24.5	41.7	42.7	34.8	36.4	26.1	43.9	46.4	37.7	39.6	27.7			
	kW	5.41	5.41	5.41	5.47	5.56	5.52	5.52	5.52	5.58	5.67	5.63	5.63	5.64	5.69	5.78			
125	TC	42.5	43.7	43.2	48.4	54.4	44.2	44.5	44.1	48.9	55.0	46.0	45.3	45.0	49.5	55.6			
	SC	37.5	37.1	30.4	31.4	23.3	39.7	40.7	33.3	34.4	24.5	41.9	44.3	36.1	37.4	25.8			
	kW	5.81	5.82	5.82	5.88	5.98	5.92	5.93	5.93	5.99	6.08	6.03	6.03	6.04	6.10	6.19			

Cooling multipliers for determining the performance with other indoor sections

For dry bulb temperatures different than those listed (between 73 °F - 87 °F), sensible capacity increases by 1060 Btuh per 1000 CFM per degree above the listed temperature and decreases by 1060 Btuh per 1000 CFM per degree below the listed temperature.

Cool multiplier airhandler - 5 ton

Table 63: Cool multiplier air handler - 5 ton

Air handler model	Indoor coil model	TC	SC	kW
JHETC60HBCS2N1	—	1.02	1.01	0.99
JHETD60HBCS2N1	—	1.07	0.97	0.98
JHETD60JBCS2N1	—	1.07	0.97	0.99
JHVTC60HBCC2N1	—	1.06	0.98	0.99
JHVTD60HBCC2N1	—	1.07	0.96	0.97
JHVTD60JBCC2N1	—	1.07	0.96	0.98
JMET18DS2N1A	XAF/XAF/XAUD60H	1.07	0.96	0.98
JMET18DS2N1A	XAF/XAFD60J	1.07	0.96	0.98
JMET18DS2N1A	XAH/XAHD60H	1.05	1.03	0.98
JMET18DS2N1A	XAH/XAHD60J	1.05	1.04	0.98
JMVT20DC2N1A	XAF/XAF/XAUD60H	1.08	0.95	0.99
JMVT20DC2N1A	XAF/XAFD60J	1.07	0.97	0.99
JMVT20DC2N1A	XAH/XAHD60H	1.05	1.02	0.98
JMVT20DC2N1A	XAH/XAHD60J	1.05	1.04	0.98

Cool multiplier furnace - 5 ton

Table 64: Cool multiplier furnace - 5 ton

Furnace model	Indoor coil model	TC	SC	kW
TL8E100C20UH11	XAF/XAFC60H	1.05	0.99	0.99
TL8E100C20UH11	XAF/XAFD60J	1.05	1	0.99
TL8E100C20UH11	XAH/XAHC60H	1.05	1.04	0.99
TL9E100C20UH11	XAH/XAHC60H	1.05	1.04	1.01
TM8E080C20MP11	XAF/XAF/XAUD60H	1.05	0.97	1.01
TM8E080C20MP11	XAF/XAFC60H	1.05	0.95	1.02
TM8E080C20MP11	XAF/XAFD60J	1.05	0.95	1.01
TM8E080C20MP11	XAH/XAHC60H	1.04	0.99	1.03
TM8E080C20MP11	XAH/XAHD60H	1.05	1.02	1.02
TM8E080C20MP11	XAH/XAHD60J	1.05	1.01	1.03
TM8E100C20MP11	XAF/XAF/XAUD60H	1.05	0.97	1.01
TM8E100C20MP11	XAF/XAFC60H	1.05	0.97	1.01
TM8E100C20MP11	XAF/XAFD60J	1.05	0.95	1.01
TM8E100C20MP11	XAH/XAHC60H	1.04	0.99	1.02
TM8E100C20MP11	XAH/XAHD60H	1.04	1	1.02

Table 64: Cool multiplier furnace - 5 ton

Furnace model	Indoor coil model	TC	SC	kW
TM8E100C20MP11	XAH/XAHD60J	1.05	1.01	1.02
TM8E120C20MP11	XAF/XAF/XAUD60H	1.05	0.96	1
TM8E120C20MP11	XAF/XAFC60H	1.05	0.96	1
TM8E120C20MP11	XAF/XAFD60J	1.05	0.96	1.01
TM8E120C20MP11	XAH/XAHC60H	1.05	1.01	1.01
TM8E120C20MP11	XAH/XAHD60H	1.05	1.01	1.02
TM8E120C20MP11	XAH/XAHD60J	1.05	1.01	1.02
TM8E130D20MP11	XAF/XAF/XAUD60H	1.06	0.96	1
TM8E130D20MP11	XAF/XAFD60J	1.07	0.96	1
TM8E130D20MP11	XAH/XAHD60H	1.05	0.99	1.01
TM8E130D20MP11	XAH/XAHD60J	1.05	1	1
TM8V100C20MP12C	XAH/XAHC60H	1.04	0.98	1.03
TM8V120C20MP12C	XAH/XAHC60H	1.04	0.98	1.03
TM8Y100C20MP11	XAF/XAF/XAUD60H	1.05	0.95	1.02
TM8Y100C20MP11	XAF/XAFC60H	1.05	0.95	1.02
TM8Y100C20MP11	XAF/XAFD60J	1.05	0.95	1.02
TM8Y100C20MP11	XAH/XAHC60H	1.04	0.99	1.03
TM8Y100C20MP11	XAH/XAHD60H	1.04	0.99	1.03
TM8Y100C20MP11	XAH/XAHD60J	1.04	1	1.03
TM8Y120C20MP11	XAF/XAF/XAUD60H	1.05	0.95	1.02
TM8Y120C20MP11	XAF/XAFC60H	1.05	0.95	1.02
TM8Y120C20MP11	XAF/XAFD60J	1.05	0.95	1.02
TM8Y120C20MP11	XAH/XAHC60H	1.04	0.99	1.03
TM8Y120C20MP11	XAH/XAHD60H	1.04	0.99	1.03
TM8Y120C20MP11	XAH/XAHD60J	1.04	1	1.03
TM9E080C20MP12	XAF/XAF/XAUD60H	1.06	0.96	1.01
TM9E080C20MP12	XAF/XAFC60H	1.05	0.97	1.01
TM9E080C20MP12	XAF/XAFD60J	1.06	0.96	1
TM9E080C20MP12	XAH/XAHC60H	1.05	1	1.01
TM9E080C20MP12	XAH/XAHD60H	1.05	1	1.01
TM9E080C20MP12	XAH/XAHD60J	1.05	1.01	1.01
TM9E100C20MP12	XAF/XAFC60H	1.05	0.98	1.01
TM9E100C20MP12	XAF/XAFD60J	1.06	0.97	1.01
TM9E100C20MP12	XAH/XAHC60H	1.05	1.01	1.02
TM9E100C20MP12	XAH/XAHD60H	1.05	1.01	1.01
TM9E100C20MP12	XAH/XAHD60J	1.05	1.01	1.01
TM9E120D20MP12	XAF/XAF/XAUD60H	1.05	0.96	1.01
TM9E120D20MP12	XAF/XAFD60J	1.05	0.96	1.01
TM9E120D20MP12	XAH/XAHD60H	1.04	1.01	1.02

Table 64: Cool multiplier furnace - 5 ton

Furnace model	Indoor coil model	TC	SC	kW
TM9E120D20MP12	XAH/XAHD60J	1.04	1.01	1.02
TM9V100C20MP12C	XAF/XAF/XAUD60H	1.05	0.96	1.03
TM9V100C20MP12C	XAF/XAFC60H	1.05	0.96	1.02
TM9V100C20MP12C	XAF/XAFD60J	1.05	0.96	1.03
TM9V100C20MP12C	XAH/XAHC60H	1.05	1.04	1.01
TM9V100C20MP12C	XAH/XAHD60H	1.05	1.04	1.02
TM9V100C20MP12C	XAH/XAHD60J	1.04	1.01	1.03
TM9V120D20MP12C	XAF/XAF/XAUD60H	1.05	0.96	1.01
TM9V120D20MP12C	XAF/XAFD60J	1.05	0.97	1
TM9V120D20MP12C	XAH/XAHD60H	1.05	1.01	1
TM9V120D20MP12C	XAH/XAHD60J	1.05	1	1.01
TM9Y100C20MP11	XAF/XAF/XAUD60H	1.04	0.97	1.02
TM9Y100C20MP11	XAF/XAFC60H	1.04	0.97	1.03
TM9Y100C20MP11	XAF/XAFD60J	1.04	0.97	1.02
TM9Y100C20MP11	XAH/XAHC60H	1.04	1.01	1.03
TM9Y100C20MP11	XAH/XAHD60H	1.04	1.03	1.04
TM9Y100C20MP11	XAH/XAHD60J	1.04	1.03	1.03
TM9Y120D20MP11	XAF/XAF/XAUD60H	1.05	0.96	1.02
TM9Y120D20MP11	XAF/XAFD60J	1.05	0.96	1.02
TM9Y120D20MP11	XAH/XAHD60H	1.05	1.01	1.03
TM9Y120D20MP11	XAH/XAHD60J	1.04	1	1.03
TMLE080C20MP11	XAF/XAF/XAUD60H	1.05	0.97	1.01
TMLE080C20MP11	XAF/XAFC60H	1.05	0.95	1.02
TMLE080C20MP11	XAF/XAFD60J	1.05	0.95	1.01
TMLE080C20MP11	XAH/XAHC60H	1.04	0.99	1.03
TMLE080C20MP11	XAH/XAHD60H	1.05	1.02	1.02
TMLE080C20MP11	XAH/XAHD60J	1.05	1.01	1.03
TMLE100C20MP11	XAF/XAF/XAUD60H	1.05	0.97	1.01
TMLE100C20MP11	XAF/XAFC60H	1.05	0.97	1.01
TMLE100C20MP11	XAF/XAFD60J	1.05	0.95	1.01
TMLE100C20MP11	XAH/XAHC60H	1.04	0.99	1.02
TMLE100C20MP11	XAH/XAHD60H	1.04	1	1.02
TMLE100C20MP11	XAH/XAHD60J	1.05	1.01	1.02
TMLE120C20MP11	XAF/XAF/XAUD60H	1.05	0.96	1
TMLE120C20MP11	XAF/XAFC60H	1.05	0.96	1
TMLE120C20MP11	XAF/XAFD60J	1.05	0.96	1.01
TMLE120C20MP11	XAH/XAHC60H	1.05	1.01	1.01
TMLE120C20MP11	XAH/XAHD60H	1.05	1.01	1.02
TMLE120C20MP11	XAH/XAHD60J	1.05	1.01	1.02

Table 64: Cool multiplier furnace - 5 ton

Furnace model	Indoor coil model	TC	SC	kW
TMLE130D20MP11	XAF/XAF/XAUD60H	1.06	0.96	1
TMLE130D20MP11	XAF/XAFD60J	1.07	0.96	1
TMLE130D20MP11	XAH/XAHD60H	1.05	0.99	1.01
TMLE130D20MP11	XAH/XAHD60J	1.05	1	1
TMLV120C20MP12C	XAH/XAHC60H	1.04	0.98	1.03
TP9C100C20MP13C	XAF/XAF/XAUD60H	1.05	0.96	1.03
TP9C100C20MP13C	XAF/XAFC60H	1.05	0.96	1.02
TP9C100C20MP13C	XAF/XAFD60J	1.05	0.96	1.03
TP9C100C20MP13C	XAH/XAHC60H	1.05	1.04	1.01
TP9C100C20MP13C	XAH/XAHD60H	1.05	1.04	1.02
TP9C100C20MP13C	XAH/XAHD60J	1.04	1.01	1.03
TP9C120D20MP13C	XAF/XAF/XAUD60H	1.05	0.96	1.01
TP9C120D20MP13C	XAF/XAFD60J	1.05	0.97	1
TP9C120D20MP13C	XAH/XAHD60H	1.05	1.01	1
TP9C120D20MP13C	XAH/XAHD60J	1.05	1	1.01
TPLC100C20MP13C	XAH/XAHC60H	1.04	0.98	1.03
TPLC120C20MP13C	XAH/XAHC60H	1.04	0.98	1.03
YP9C100C20MP13C	XAF/XAF/XAUD60H	1.05	0.96	1.03
YP9C100C20MP13C	XAF/XAFC60H	1.05	0.96	1.02
YP9C100C20MP13C	XAF/XAFD60J	1.05	0.96	1.03
YP9C100C20MP13C	XAH/XAHC60H	1.05	1.04	1.01
YP9C100C20MP13C	XAH/XAHD60H	1.05	1.04	1.02
YP9C100C20MP13C	XAH/XAHD60J	1.04	1.01	1.03
YP9C120D20MP13C	XAF/XAF/XAUD60H	1.05	0.96	1.01
YP9C120D20MP13C	XAF/XAFD60J	1.05	0.97	1
YP9C120D20MP13C	XAH/XAHD60H	1.05	1.01	1
YP9C120D20MP13C	XAH/XAHD60J	1.05	1	1.01
YPLC100C20MP13C	XAH/XAHC60H	1.04	0.98	1.03
YPLC120C20MP13C	XAH/XAHC60H	1.04	0.98	1.03

Heating performance data - 5 ton

Table 65: Heating performance data - 5 ton

Air temperature entering outdoor unit (°F)	Air temperature entering indoor unit (°F)	ID CFM								
		1500			1750			2000		
		MBH	COP	kW	MBH	COP	kW	MBH	COP	kW
60	60	66.30	4.19	4.64	67.00	4.31	4.56	67.80	4.43	4.48
	70	64.20	3.74	5.02	65.10	3.87	4.93	66.00	3.99	4.85
	80	62.00	3.36	5.40	63.10	3.48	5.31	64.30	3.61	5.21
47	60	56.80	3.84	4.34	57.60	3.94	4.29	58.50	4.04	4.24
	70	55.30	3.41	4.75	56.50	3.53	4.69	57.70	3.65	4.63
	80	53.80	3.06	5.16	55.30	3.19	5.09	56.80	3.32	5.02
40	60	50.90	3.53	4.23	51.60	3.62	4.18	52.40	3.71	4.14
	70	51.30	3.25	4.62	51.80	3.31	4.58	52.20	3.37	4.54
	80	51.70	3.02	5.02	51.90	3.05	4.98	52.10	3.08	4.95
30	60	44.00	3.15	4.09	44.70	3.22	4.08	45.50	3.29	4.06
	70	45.30	2.96	4.48	45.70	3.01	4.45	46.10	3.05	4.43
	80	46.50	2.80	4.87	46.60	2.83	4.83	46.70	2.85	4.79
17	60	37.20	2.79	3.91	37.60	2.81	3.92	38.10	2.84	3.93
	70	37.40	2.57	4.27	38.00	2.61	4.27	38.60	2.65	4.27
	80	37.60	2.38	4.63	38.30	2.43	4.61	39.00	2.48	4.60
10	60	32.70	2.53	3.79	33.40	2.56	3.82	34.10	2.60	3.84
	70	33.60	2.38	4.13	34.10	2.41	4.14	34.70	2.44	4.16
	80	34.40	2.26	4.46	34.90	2.29	4.47	35.30	2.31	4.49
0	60	28.30	2.34	3.55	29.20	2.38	3.60	30.00	2.41	3.64
	70	28.80	2.18	3.89	29.40	2.20	3.91	30.00	2.23	3.94
	80	29.30	2.04	4.22	29.70	2.06	4.23	30.10	2.08	4.24

Heating multipliers for determining the performance with other indoor sections

Heat multiplier air handler - 5 ton

Table 66: Heat multiplier air handler - 5 ton

Air handler model	Indoor coil model	MBH	COP	kW
JHETC60HBCS2N1	—	1.14	1.26	0.92
JHETD60HBCS2N1	—	0.99	1.01	0.98
JHETD60JBCS2N1	—	0.99	1.01	0.98
JHVTC60HBCC2N1	—	0.99	1.01	0.98
JHVTD60HBCC2N1	—	0.99	1.02	0.97
JHVTD60JBCC2N1	—	0.99	1.01	0.98
JMET18DS2N1A	XAF/XAF/XAUD60H	0.99	1.01	0.98
JMET18DS2N1A	XAF/XAFD60J	0.99	1.01	0.98
JMET18DS2N1A	XAH/XAHD60H	1.07	1.04	1.03
JMET18DS2N1A	XAH/XAHD60J	1.07	1.04	1.03
JMVT20DC2N1A	XAF/XAF/XAUD60H	1.00	1.01	0.99
JMVT20DC2N1A	XAF/XAFD60J	0.99	1.01	0.97
JMVT20DC2N1A	XAH/XAHD60H	1.07	1.04	1.03
JMVT20DC2N1A	XAH/XAHD60J	1.07	1.04	1.03

Heat multiplier furnace - 5 ton

Table 67: Heat multiplier furnace - 5 ton

Furnace model	Indoor coil model	MBH	COP	kW
TL8E100C20UH11	XAF/XAFC60H	0.99	1.01	0.99
TL8E100C20UH11	XAF/XAFD60J	0.99	1.01	0.99
TL8E100C20UH11	XAH/XAHC60H	1.08	1.02	1.06
TL9E100C20UH11	XAH/XAHC60H	1.08	1.02	1.06
TM8E080C20MP11	XAF/XAF/XAUD60H	1.00	1.00	1.01
TM8E080C20MP11	XAF/XAFC60H	1.00	0.98	1.02
TM8E080C20MP11	XAF/XAFD60J	1.00	0.98	1.02
TM8E080C20MP11	XAH/XAHC60H	1.08	1.00	1.08
TM8E080C20MP11	XAH/XAHD60H	1.08	1.01	1.07
TM8E080C20MP11	XAH/XAHD60J	1.09	1.00	1.09
TM8E100C20MP11	XAF/XAF/XAUD60H	1.00	0.99	1.01
TM8E100C20MP11	XAF/XAFC60H	1.00	0.99	1.01
TM8E100C20MP11	XAF/XAFD60J	1.00	0.99	1.01
TM8E100C20MP11	XAH/XAHC60H	1.08	1.00	1.08
TM8E100C20MP11	XAH/XAHD60H	1.08	1.00	1.09
TM8E100C20MP11	XAH/XAHD60J	1.08	1.01	1.07
TM8E120C20MP11	XAF/XAF/XAUD60H	1.00	1.00	1.00
TM8E120C20MP11	XAF/XAFC60H	1.00	1.00	1.00
TM8E120C20MP11	XAF/XAFD60J	1.00	0.99	1.02
TM8E120C20MP11	XAH/XAHC60H	1.08	1.02	1.06
TM8E120C20MP11	XAH/XAHD60H	1.09	1.00	1.09
TM8E120C20MP11	XAH/XAHD60J	1.08	1.00	1.08
TM8E130D20MP11	XAF/XAF/XAUD60H	1.00	0.99	1.01
TM8E130D20MP11	XAF/XAFD60J	1.00	0.99	1.00
TM8E130D20MP11	XAH/XAHD60H	1.08	1.00	1.07
TM8E130D20MP11	XAH/XAHD60J	1.07	1.02	1.05
TM8V100C20MP12C	XAH/XAHC60H	1.08	1.00	1.07
TM8V120C20MP12C	XAH/XAHC60H	1.08	1.00	1.07
TM8Y100C20MP11	XAF/XAF/XAUD60H	1.00	0.98	1.02
TM8Y100C20MP11	XAF/XAFC60H	1.00	0.98	1.02
TM8Y100C20MP11	XAF/XAFD60J	1.00	0.98	1.02
TM8Y100C20MP11	XAH/XAHC60H	1.08	1.00	1.08
TM8Y100C20MP11	XAH/XAHD60H	1.08	1.00	1.08
TM8Y100C20MP11	XAH/XAHD60J	1.08	1.00	1.08
TM8Y120C20MP11	XAF/XAF/XAUD60H	1.00	0.98	1.02
TM8Y120C20MP11	XAF/XAFC60H	1.00	0.98	1.02
TM8Y120C20MP11	XAF/XAFD60J	1.00	0.98	1.02
TM8Y120C20MP11	XAH/XAHC60H	1.08	1.00	1.08

Table 67: Heat multiplier furnace - 5 ton

Furnace model	Indoor coil model	MBH	COP	kW
TM8Y120C20MP11	XAH/XAHD60H	1.08	1.00	1.08
TM8Y120C20MP11	XAH/XAHD60J	1.08	1.00	1.08
TM9E080C20MP12	XAF/XAF/XAUD60H	1.00	0.99	1.01
TM9E080C20MP12	XAF/XAFC60H	1.00	0.99	1.01
TM9E080C20MP12	XAF/XAFD60J	1.00	1.00	1.00
TM9E080C20MP12	XAH/XAHC60H	1.08	1.00	1.08
TM9E080C20MP12	XAH/XAHD60H	1.08	1.01	1.07
TM9E080C20MP12	XAH/XAHD60J	1.08	1.01	1.06
TM9E100C20MP12	XAF/XAF/XAUD60H	1.00	0.98	1.02
TM9E100C20MP12	XAF/XAFC60H	0.99	0.99	1.00
TM9E100C20MP12	XAF/XAFD60J	1.00	0.99	1.01
TM9E100C20MP12	XAH/XAHC60H	1.08	1.00	1.08
TM9E100C20MP12	XAH/XAHD60H	1.08	1.01	1.08
TM9E100C20MP12	XAH/XAHD60J	1.08	1.01	1.06
TM9E120D20MP12	XAF/XAF/XAUD60H	1.01	0.98	1.03
TM9E120D20MP12	XAF/XAFD60J	1.00	0.99	1.01
TM9E120D20MP12	XAH/XAHD60H	1.08	1.01	1.08
TM9E120D20MP12	XAH/XAHD60J	1.08	1.01	1.08
TM9V100C20MP12C	XAF/XAF/XAUD60H	1.00	0.99	1.01
TM9V100C20MP12C	XAF/XAFC60H	1.00	0.99	1.01
TM9V100C20MP12C	XAF/XAFD60J	1.00	0.98	1.02
TM9V100C20MP12C	XAH/XAHC60H	1.08	1.02	1.06
TM9V100C20MP12C	XAH/XAHD60H	1.08	1.01	1.07
TM9V100C20MP12C	XAH/XAHD60J	1.08	1.00	1.08
TM9V120D20MP12C	XAF/XAF/XAUD60H	1.00	1.00	1.00
TM9V120D20MP12C	XAF/XAFD60J	1.00	1.00	1.00
TM9V120D20MP12C	XAH/XAHD60H	1.08	1.02	1.06
TM9V120D20MP12C	XAH/XAHD60J	1.07	1.02	1.05
TM9Y100C20MP11	XAF/XAF/XAUD60H	1.01	0.98	1.03
TM9Y100C20MP11	XAF/XAFC60H	1.01	0.98	1.03
TM9Y100C20MP11	XAF/XAFD60J	1.01	0.98	1.03
TM9Y100C20MP11	XAH/XAHC60H	1.08	1.00	1.08
TM9Y100C20MP11	XAH/XAHD60H	1.09	0.99	1.09
TM9Y100C20MP11	XAH/XAHD60J	1.09	1.00	1.09
TM9Y120D20MP11	XAF/XAF/XAUD60H	1.01	0.98	1.03
TM9Y120D20MP11	XAF/XAFD60J	1.01	0.98	1.02
TM9Y120D20MP11	XAH/XAHD60H	1.09	1.00	1.09
TM9Y120D20MP11	XAH/XAHD60J	1.09	1.00	1.09
TMLE080C20MP11	XAF/XAF/XAUD60H	1.00	1.00	1.01

Table 67: Heat multiplier furnace - 5 ton

Furnace model	Indoor coil model	MBH	COP	kW
TMLE080C20MP11	XAF/XAFC60H	1.00	0.98	1.02
TMLE080C20MP11	XAF/XAFD60J	1.00	0.98	1.02
TMLE080C20MP11	XAH/XAHC60H	1.08	1.00	1.08
TMLE080C20MP11	XAH/XAHD60H	1.08	1.01	1.07
TMLE080C20MP11	XAH/XAHD60J	1.09	1.00	1.09
TMLE100C20MP11	XAF/XAF/XAUD60H	1.00	0.99	1.01
TMLE100C20MP11	XAF/XAFC60H	1.00	0.99	1.01
TMLE100C20MP11	XAF/XAFD60J	1.00	0.99	1.01
TMLE100C20MP11	XAH/XAHC60H	1.08	1.00	1.08
TMLE100C20MP11	XAH/XAHD60H	1.08	1.00	1.09
TMLE100C20MP11	XAH/XAHD60J	1.08	1.01	1.07
TMLE120C20MP11	XAF/XAF/XAUD60H	1.00	1.00	1.00
TMLE120C20MP11	XAF/XAFC60H	1.00	1.00	1.00
TMLE120C20MP11	XAF/XAFD60J	1.00	0.99	1.02
TMLE120C20MP11	XAH/XAHC60H	1.08	1.02	1.06
TMLE120C20MP11	XAH/XAHD60H	1.09	1.00	1.09
TMLE120C20MP11	XAH/XAHD60J	1.08	1.00	1.08
TMLE130D20MP11	XAF/XAF/XAUD60H	1.00	0.99	1.01
TMLE130D20MP11	XAF/XAFD60J	1.00	0.99	1.00
TMLE130D20MP11	XAH/XAHD60H	1.08	1.00	1.07
TMLE130D20MP11	XAH/XAHD60J	1.07	1.02	1.05
TMLV120C20MP12C	XAH/XAHC60H	1.08	1.00	1.07
TP9C100C20MP13C	XAF/XAF/XAUD60H	1.00	0.99	1.01
TP9C100C20MP13C	XAF/XAFC60H	1.00	0.99	1.01
TP9C100C20MP13C	XAF/XAFD60J	1.00	0.98	1.02
TP9C100C20MP13C	XAH/XAHC60H	1.08	1.02	1.06
TP9C100C20MP13C	XAH/XAHD60H	1.08	1.01	1.07
TP9C100C20MP13C	XAH/XAHD60J	1.08	1.00	1.08
TP9C120D20MP13C	XAF/XAF/XAUD60H	1.00	1.00	1.00
TP9C120D20MP13C	XAF/XAFD60J	1.00	1.00	1.00
TP9C120D20MP13C	XAH/XAHD60H	1.08	1.02	1.06
TP9C120D20MP13C	XAH/XAHD60J	1.07	1.02	1.05
TPLC100C20MP13C	XAH/XAHC60H	1.08	1.00	1.07
TPLC120C20MP13C	XAH/XAHC60H	1.08	1.00	1.07
YP9C100C20MP13C	XAF/XAF/XAUD60H	1.00	0.99	1.01
YP9C100C20MP13C	XAF/XAFC60H	1.00	0.99	1.01
YP9C100C20MP13C	XAF/XAFD60J	1.00	0.98	1.02
YP9C100C20MP13C	XAH/XAHC60H	1.08	1.02	1.06
YP9C100C20MP13C	XAH/XAHD60H	1.08	1.01	1.07

Table 67: Heat multiplier furnace - 5 ton

Furnace model	Indoor coil model	MBH	COP	kW
YP9C100C20MP13C	XAH/XAHD60J	1.08	1.00	1.08
YP9C120D20MP13C	XAF/XAF/XAUD60H	1.00	1.00	1.00
YP9C120D20MP13C	XAF/XAFD60J	1.00	1.00	1.00
YP9C120D20MP13C	XAH/XAHD60H	1.08	1.02	1.06
YP9C120D20MP13C	XAH/XAHD60J	1.07	1.02	1.05
YPLC100C20MP13C	XAH/XAHC60H	1.08	1.00	1.07
YPLC120C20MP13C	XAH/XAHC60H	1.08	1.00	1.07